

ECO GR1500MA

DOMESTIC RAW SEWAGE SUBMERSIBLE GRINDER PUMP



FEATURES

The ECO GR Series are high pressure submersible pumps suitable for raw sewage and designed for domestic and light commercial applications. The pump is equipped with an intake cutting system composed of hardened stainless steel intake grinding ring and cutting blade. This system cuts natural fibres and ensures smooth pump operating without clogging.

- Vertical Float switch for automatic liquid level operation.
- Double silicon carbide mechanical seal running in an oil bath chamber with a lip seal for primary protection.
- Harded Stainless steel 440 grinding ring and cutting blade mechanism.
- With 250% starting torque design and dual capacitors
- Heavy duty epoxy coated
- Control box with overload



Grinding ring and cutting blade

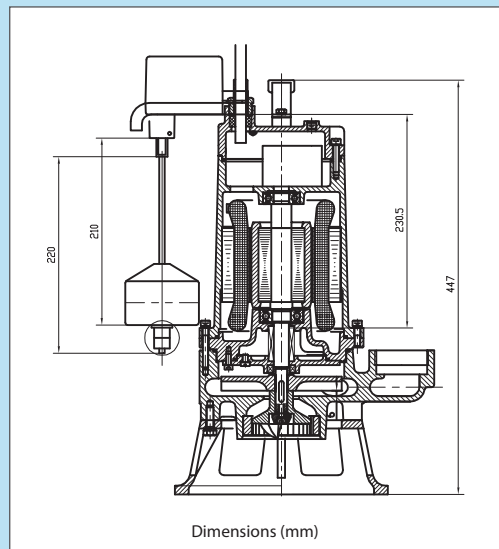
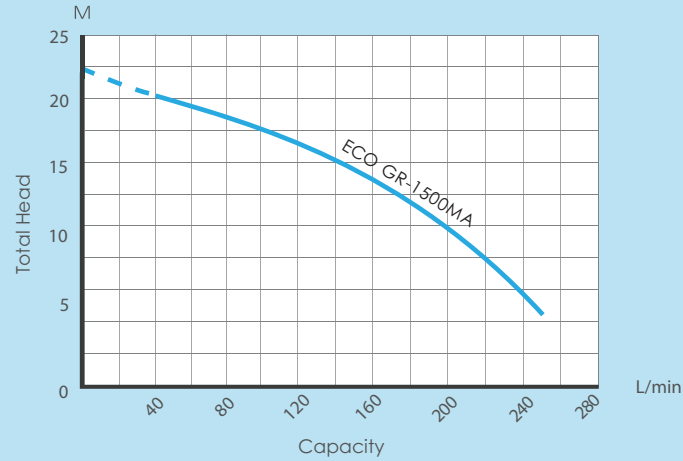


SPECIFICATIONS

MODEL	PRODUCT CODE	POWER	VOLTAGE	CURRENT	INGRESS PROTECTION	OUTLET	MAX. PRESSURE	MAX CAPACITY	POWER CABLE LENGTH	WEIGHT
ECO GR1500MA	4111005088	1.1KW	220-240V	6.8A	IP68	50mm (2")	22m (220kPa)	250 L/min	10m	32kg



TECHNICAL DATA



PUMP BODY	SHAFT	MECHANICAL SEAL UPPER	MECHANICAL SEAL LOWER	IMPELLER	CABLE	CUTTING BLADE	GRINDING RING
Grey Cast Iron GG20	Stainless Steel AISI 420	Lip Seal NBR Silicon/Silicon /NBR	Silicon/Silicon /NBR	Grey Cast Iron GG20	HO7RN-F	Stainless Steel AISI 440	Stainless Steel AISI 440

MAX LIQUID TEMP.	MAX IMMERSION DEPTH	pH RANGE	MAX. STARTS PER HOUR
50°C	10m	6 - 14 pH	6