
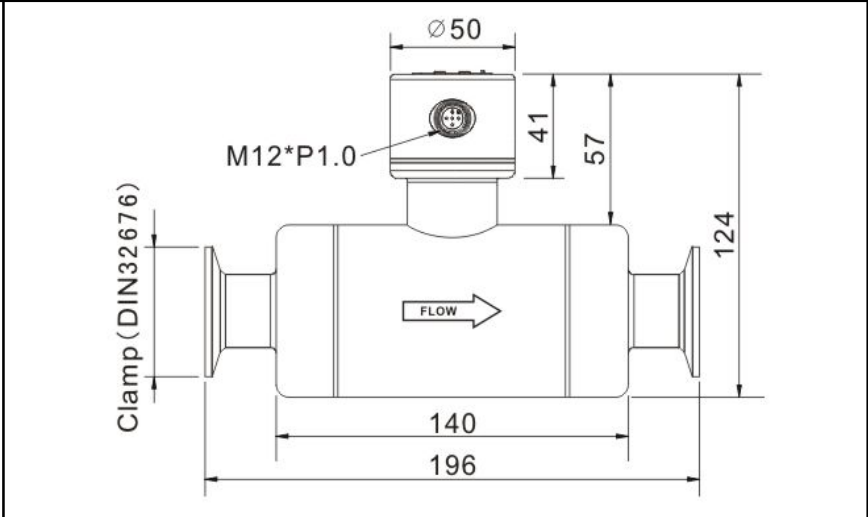


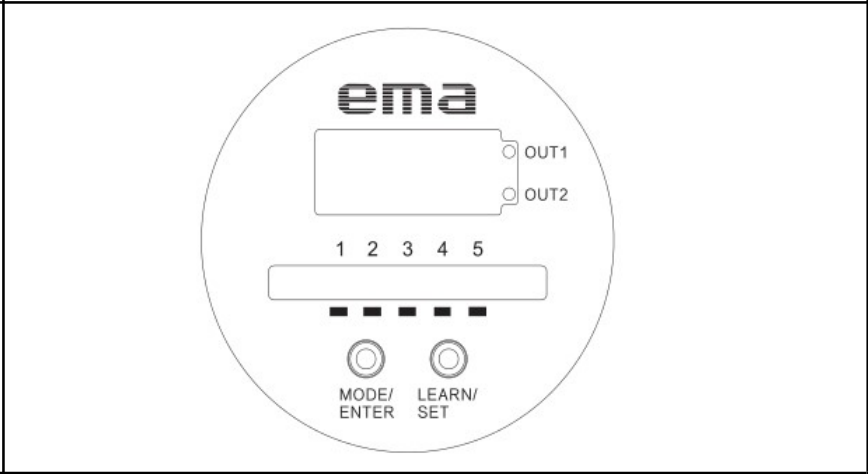
<p>FM0025AS1 Ultrasonic Flowmeter Process connection: DN25 Clamp DIN 32676 Cable entrance: M12 Connector Sensing range: 1.5...250 L/min Programmable Dual output: Switching output + Analogue output 3 digit display</p>	
Applications	Conductive and non-conductive liquids, such as water and oil
Panel Display	3 digital segment + 7×LED
Display Functions	The flow/analogue/temperature display can be switched via the buttons
Menu setting	2 Buttons
Operating Voltage[V]	20...30 DC
Range[L/min]	1.5...250
Probe frequency[MHz]	1
Voltage drop[V]	<3.5
Reverse polarity protection	Yes
Overload protection	Yes
Temperature compensation	Yes
Watchdog	Yes
Current consumption[mA]	<20
Accuracy / Deviation[%]	0.5
Minimum Resolution[mm]	0.03
Output response time[s]	5
Output	Output1: PNP/NPN, Output2: 4...20mA/0...10V
Overload of Analogue output[ohm]	4...20mA,Max (Ub-10V)*50
Overload of switching output[mA]	400
Electric design	NO/ NC adjustable
	PNP/NPN adjustable
	SP/RP adjustable
Operating temperature[°C/°F]	0...80/32...176
Storage temperature[°C/°F]	-20...80/-4...176
Resistance [MΩ]	>100(500 VDC)
ESD[KV]	III 6kV

EFT[KV]	III 2kV
Walkie talkie experiment[M]	0.1
Pipe diameter	DN25
Operating pressure[bar]	<40
Housing material	Stainless steel 316L
Ultrasonic probe material	PPS
Process connection	DN25 clamp DIN 32676
Weight[kg]	3
Shock resistance[g]	20
Protection/Enclosure Rating	IP68 / IP69K

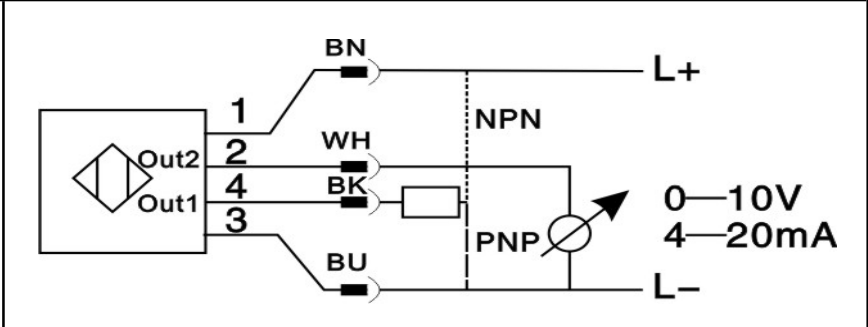
Dimensions[mm]



Display



Wiring
Core color



ema electronics

website: www.ema-electronic.com

e-mail: sales@ema-electronic.com