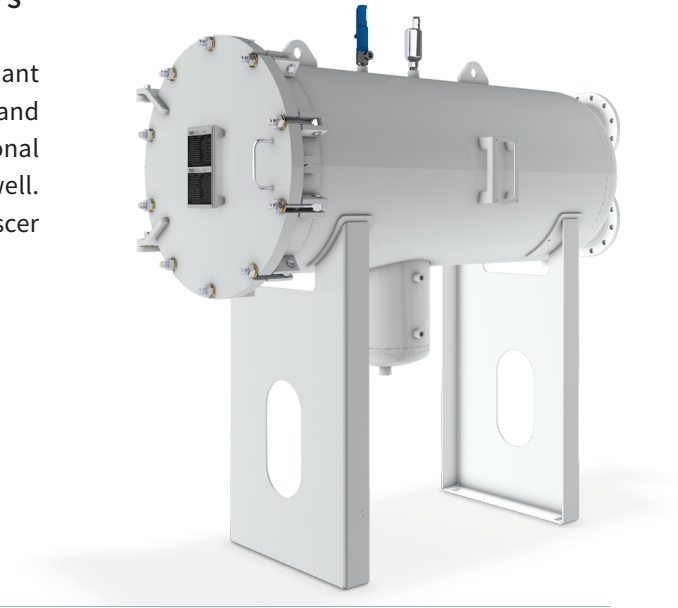


Qualified to specification EI 1581 6th Edition, Category C, Type S

The filter/water separator FW10-H is designed to be compliant with procedural guidelines, applicable legal regulations and requirements of the pressure vessel regulation AD2000. Additional pressure vessel standards can be met with these assemblies as well. The filter vessels incorporate flat sealed or threaded base coalescer elements and reusable separator elements.



Application Area

- Horizontal filter vessels for fixed installation

Technical Data

- | | |
|----------------------------|-----------------------------------|
| • Design and construction: | EI 1596 3rd Edition |
| • Design pressure: | Designed to pressure requirements |
| • Flow rate: | Up to 9500 lpm (2509 USgpm) |

Standard Design

- | | |
|---------------|---|
| • Material: | Carbon steel (other version on request) |
| • Interior: | Epoxy coating according to EI 1541 |
| • Exterior: | Prime coated |
| • Cover seal: | NBR (Buna-N) |

Recommended Accessories

- Differential pressure gauge
- Manual drain valve
- Automatic air eliminator
- Pressure relief valve
- Sump heater
- Electronic sensors

Order Reference

Vessel Model No.	Coalescer Elements		Separator Elements		Flow Rates	
	Model	Quantity	Model	Quantity	lpm	USgpm
FW10-H-2-559	P.4-559	2	60.644-565	1	470	124
FW10-H-3-559	P.4-559	3	60.644-565	1	705	186
FW10-H-3-842	P.4-842	3	60.644-842	1	1110	293
FW10-H-3-1093	P.4-1093	3	60.644-1093	1	1520	401
FW10-H-4-1093	P.4-1093	4	60.644-842	2	2000	528
FW10-H-5-1093	P.4-1093	5	60.644-1093	2	2500	660
FW10-H-5-1422	P.4-1422	5	60.644-1093	2	3200	845
FW10-H-7-1422	P.4-1422	7	60.644-1093	3	4200	1109
FW10-H-8-1422	P.4-1422	8	60.644-1188	3	5200	1373
FW10-H-10-1422	P.4-1422	10	60.644-1188	4	6500	1717
FW10-H-11-1422	P.4-1422	11	60.644-1188	5	7200	1902
FW10-H-12-1422	P.4-1422	12	60.644-1188	5	7850	2073
FW10-H-13-1422	P.4-1422	13	60.644-1188	5	8500	2245
FW10-H-17-1422	P.4-1422	17	60.644-1290	7	9500	2509

Dimensions

- For exact dimensions please ask for a vessel drawing

