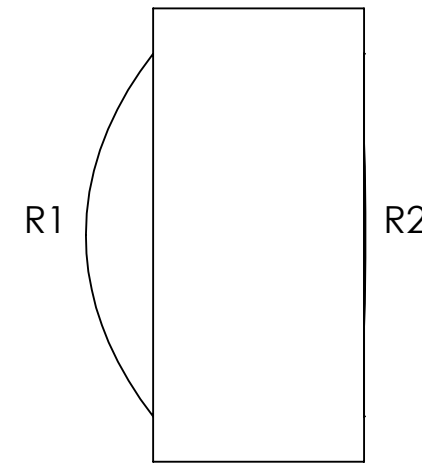
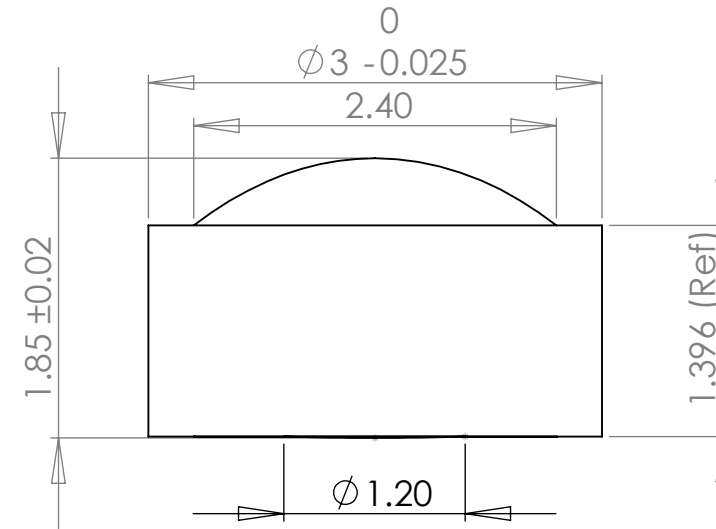
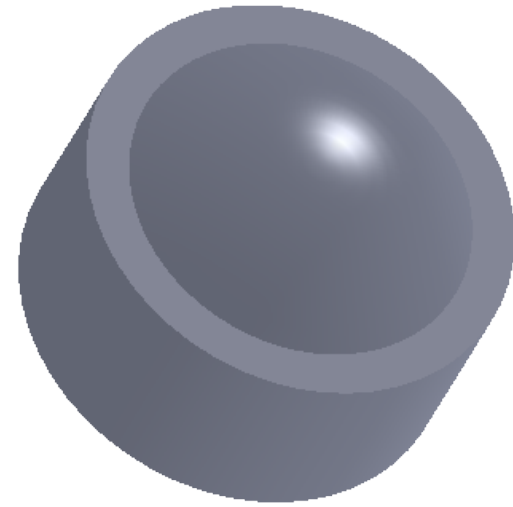


	Base Radius (mm)	CX	CC	Irregularity (fringes)	Clear Aperture (mm)	Surface Quality (typical)	Centration (arcmin)
R1	1.700	X		1.0	2.2	40/20	3
R2	19.971	X		1.0	1.2	40/20	

REVISIONS			
REV.	DESCRIPTION	DATE	BY
H	Centration change	8/20/2019	DF



Notes:

- 1) Material: S-LAH60M
- 2) Edge Chamfer: 0.1-0.3 mm
- 3) AR Coating: <0.5% reflectivity from 400-650nm ("A" coat) or 620-1080nm ("B" coat), per surface.
- 4) All dimensions in mm unless noted

1208 Sigma Ct
 Rockwall, TX 75087
 Ph: (972) 722-1064
 Web: www.archeroptx.com



PROPRIETARY AND CONFIDENTIAL
 THE INFORMATION CONTAINED IN THIS DRAWING IS THE SOLE PROPERTY OF ARCHER OPTX, INC. ANY REPRODUCTION IN PART OR AS A WHOLE WITHOUT THE WRITTEN PERMISSION OF ARCHER OPTX, INC IS PROHIBITED.

UNLESS OTHERWISE SPECIFIED:		NAME	DATE	TITLE: L150
DIMENSIONS ARE IN MM		DRAWN		
TOLERANCES:		CHECKED		
FRACTIONAL ±		ENG APPR.		
ANGULAR: MACH ± BEND ±		MFG APPR.		
TWO PLACE DECIMAL ±		Q.A.		SIZE DWG. NO. REV B H
THREE PLACE DECIMAL ±		COMMENTS:		
INTERPRET GEOMETRIC TOLERANCING PER:				SCALE: 20:1 WEIGHT: SHEET 1 OF 1
MATERIAL				
NEXT ASSY	USED ON			
FINISH				
APPLICATION		DO NOT SCALE DRAWING		