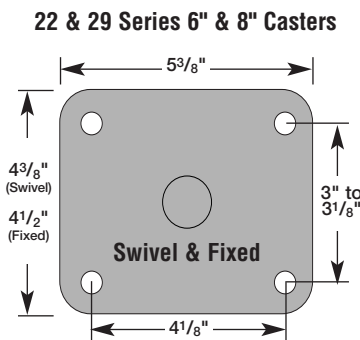
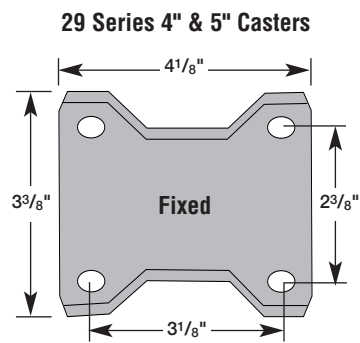
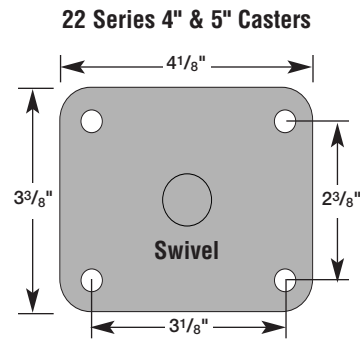
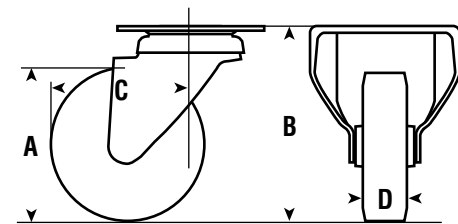


22 SERIES & 29 SERIES

The Flexello 22 Series and 29 Series casters are well-built, rugged models available in sizes ranging from 4" to 8" with load capacities from 308 to 880 lbs. The 22 Series is a double ball bearing swivel caster; the 29 Series is a fixed version of the 22 Series. Wheel selection changes slightly between the 4" and 5" diameter models and the 6" and 8" models, with a precision bearing available in the larger sizes. These casters are ideal for movement of general commercial and industrial dollies and other applications.



22 Series Swivel



29 Series Fixed



22 Series Bolt Hole

Bolt Hole Fitting

Available with hole to suit 12mm (0.5") diameter bolt for 4" and 5" swivel sizes. To order, add suffix **BH12** to the Swivel Part #.

Note: The fitting height is 5mm (0.2") lower than top plate casters, and the load rating is reduced to 353 lbs. to 441 lbs. depending on wheel type.

Swivel & Wheel Brakes

A combined swivel and wheel brake is available for 22 Series casters with a rectangular top plate and bolt hole fitting. The brake is on the trail side of the fork and is adjustable for different wheel types. The swivel radius is increased by 1-9/16" for 4" casters; by 1" for 5" casters; and to 6-3/8" for 6" casters. To order a swivel and wheel brake, add suffix **SWB** to the Swivel Part #.

Foot Brakes

A foot brake is also available for the 22 Series caster in 4" and 5" diameters. To order, add suffix **BK** to the Swivel Part #.

A = Wheel Diameter B = Overall Height C = Swivel Radius D = Tread Width

22 & 29 SERIES									
A	B	C	D	Load Capacity	Bearing	Wheel	Swivel Part #	Fixed Part #	
4"	5"	3-1/2"	1-1/2"	308	Plain	Blue Rubber on Nylon	4-22-RN	4-29-RN	
4"	5"	3-1/2"	1-1/2"	308	Roller	Blue Rubber on Nylon	4-22-RNB	4-29-RNB	
4"	5"	3-1/2"	1-1/2"	440	Plain	Polyurethane on Nylon	4-22-PN	4-29-PN	
4"	5"	3-1/2"	1-1/2"	440	Roller	Polyurethane on Nylon	4-22-PNB	4-29-PNB	
4"	5"	3-1/2"	1-1/2"	440	Plain	Nylon	4-22-NY	4-29-NY	
4"	5"	3-1/2"	1-1/2"	440	Roller	Nylon	4-22-NYB	4-29-NYB	
4"	5"	3-1/2"	1-1/2"	440	Plain	Phenolic	4-22-AN	4-29-AN	
4"	5"	3-1/2"	1-1/2"	440	Roller	Phenolic	4-22-ANB	4-29-ANB	
5"	6-1/8"	4-1/8"	1-1/2"	352	Plain	Blue Rubber on Nylon	5-22-RN	5-29-RN	
5"	6-1/8"	4-1/8"	1-1/2"	352	Roller	Blue Rubber on Nylon	5-22-RNB	5-29-RNB	
5"	6-1/8"	4-1/8"	1-1/2"	352	Plain	Black Rubber	5-22-RT	5-29-RT	
5"	6-1/8"	4-1/8"	1-1/2"	352	Roller	Black Rubber	5-22-RTB	5-29-RTB	
5"	6-1/8"	4-1/8"	1-1/2"	440	Plain	Polyurethane on Nylon	5-22-PN	5-29-PN	
5"	6-1/8"	4-1/8"	1-1/2"	440	Roller	Polyurethane on Nylon	5-22-PNB	5-29-PNB	
5"	6-1/8"	4-1/8"	1-1/2"	440	Plain	Nylon	5-22-NY	5-29-NY	
5"	6-1/8"	4-1/8"	1-1/2"	440	Roller	Nylon	5-22-NYB	5-29-NYB	
5"	6-1/8"	4-1/8"	1-1/2"	440	Plain	Phenolic	5-22-AN	5-29-AN	
5"	6-1/8"	4-1/8"	1-1/2"	440	Roller	Phenolic	5-22-ANB	5-29-ANB	
6"	7-3/8"	5"	1-1/2"	847	Plain	Nylon	6-22-NY	6-29-NY	
6"	7-3/8"	5"	1-1/2"	847	Roller	Nylon	6-22-NYB	6-29-NYB	
6"	7-3/8"	5"	1-1/2"	594	Plain	Rubber on Nylon	6-22-RN	6-29-RN	
6"	7-3/8"	5"	1-1/2"	594	Roller	Rubber on Nylon	6-22-RNB	6-29-RNB	
6"	7-3/8"	5"	1-1/2"	264	Plain	Rubber on Plastic	6-22-PS	6-29-PS	
6"	7-3/8"	5"	1-1/2"	264	Roller	Rubber on Plastic	6-22-PSB	6-29-PSB	
6"	7-3/8"	5"	1-1/2"	880	Plain	Polyurethane on Nylon	6-22-PN	6-29-PN	
6"	7-3/8"	5"	1-1/2"	880	Roller	Polyurethane on Nylon	6-22-PNB	6-29-PNB	
6"	7-3/8"	5"	1-1/2"	880	Ball Journal	Polyurethane on Nylon	6-22-PNBJ	6-29-PNBJ	
6"	7-3/8"	5"	1-1/2"	264	Roller	Rubber on Steel	6-22-BSB	6-29-BSB	
6"	7-3/8"	5"	1-1/2"	814	Plain	Rubber on Steel	6-22-RT	6-29-RT	
6"	7-3/8"	5"	1-1/2"	814	Roller	Rubber on Cast Iron	6-22-RTB	6-29-RTB	
6"	7-3/8"	5"	1-1/2"	814	Ball Journal	Rubber on Cast Iron	6-22-RTBJ	6-29-RTBJ	
6"	7-3/8"	5"	1-1/2"	880	Roller	Polyurethane on Cast Iron	6-22-SUB	6-29-SUB	
6"	7-3/8"	5"	1-1/2"	880	Ball Journal	Polyurethane on Cast Iron	6-22-SUBJ	6-29-SUBJ	
8"	9-3/8"	6"	1-1/2"	880	Plain	Nylon	8-22-NY	8-29-NY	
8"	9-3/8"	6"	1-1/2"	880	Roller	Nylon	8-22-NYB	8-29-NYB	
8"	9-3/8"	6"	1-1/2"	880	Plain	Rubber on Nylon	8-22-RN	8-29-RN	
8"	9-3/8"	6"	1-1/2"	880	Roller	Rubber on Nylon	8-22-RNB	8-29-RNB	
8"	9-3/8"	6"	1-1/2"	396	Plain	Rubber on Plastic	8-22-PS	8-29-PS	
8"	9-3/8"	6"	1-1/2"	396	Roller	Rubber on Plastic	8-22-PSB	8-29-PSB	
8"	9-3/8"	6"	1-1/2"	880	Plain	Polyurethane on Nylon	8-22-PN	8-29-PN	
8"	9-3/8"	6"	1-1/2"	880	Roller	Polyurethane on Nylon	8-22-PNB	8-29-PNB	
8"	9-3/8"	6"	1-1/2"	880	Ball Journal	Polyurethane on Nylon	8-22-PNBJ	8-29-PNBJ	
8"	9-3/8"	6"	1-1/2"	396	Roller	Rubber on Steel	8-22-BSB	8-29-BSB	
8"	9-3/8"	6"	1-1/2"	880	Plain	Rubber on Cast Iron	8-22-RT	8-29-RT	
8"	9-3/8"	6"	1-1/2"	880	Roller	Rubber on Cast Iron	8-22-RTB	8-29-RTB	
8"	9-3/8"	6"	1-1/2"	880	Ball Journal	Rubber on Cast Iron	8-22-RTBJ	8-29-RTBJ	
8"	9-3/8"	6"	1-1/2"	880	Roller	Polyurethane on Cast Iron	8-22-SUB	8-29-SUB	
8"	9-3/8"	6"	1-1/2"	880	Ball Journal	Polyurethane on Cast Iron	8-22-SUBJ	8-29-SUBJ	



22 Series Swivel & Wheel Brake (4" & 5")



22 Series Swivel & Wheel Brake (6" & 8")



22 Series Foot Brake