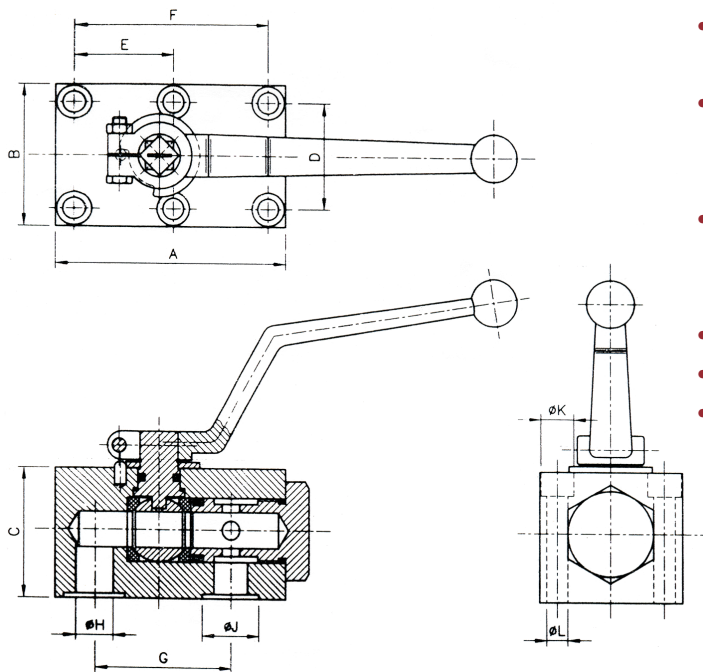


FLUTEC VALVES

"FLUTEC" Manifold Block Mounting Ball Valves (Model code - KHP -10 to 38)



Description :

- Flutec manifold mounted Ball Valve for mounting on to valves Block.
- The Ball valve has a milled slot indicating the setting. The valve is positioned by means of stop pin and stop disc.
- Easy handling even at high pressure upto 350bar (switching through 90°).
- Individual pressure testing ensures safety.
- Operating temperature -20°C to +250°C depending upon the sealing material.
- If the ball valve are to be used for gas, oxygen or any other special application, please give full details when ordering with temparture and pressure.
- If the ball valve are to be used for gas, oxygen or any other special application, please give full details when ordering with temparture and pressure.
- Ball - Stainless steel.
- Red powder coated aluminium / steel handles.
- Sizes from AHP 10 to 38.

MODEL CODE	A	B	C	D	E	F	G	ØH	ØJ	ØK	ØL
KHP 10	70	55	45	40	-	55	44	9.5	15	14	8.4
KHP 16	98	60	55	45	41.5	83	58	16.0	25	14	8.4
KHP 20	117	70	70	51	48.5	97	69	20.0	30	17	10.5
KHP 25	135	80	80	60	57.5	115	81	23.5	35	17	10.5
KHP 32	165	100	100	78	68.0	136	96	32.0	40	19	13.0
KHP 38											

FLUTEC VALVES

12-Sardar Bachan Singh Estate,
Sonawala Main Road,
Opp. Cello Building,
Goregaon east, Mumbai-400 063.

Cell.: +91 98210 43687, +91 97694 43687
Telefax: +91 22 2686 1591
email : flutec1@hotmail.com,
sales@flutecvalves.com

Website: www.flutecvalves.in