**Technical data**

Type	Plunger diameter	Flow rate Q_{th} dm ³ /min		max. Operating pressure ^[1]	Crankshaft speed	
		Input speed 1,500 1/min	Input speed 1,800 1/min		1,500 1/min	1,800 1/min
HD	mm			bar		
	25	42	50	500		
	32	69	82	500	474	568
	36	87	104	400		
ND	40	107	129	320		
	50	167	201	210	474	568
	57.5	221	266	160		
	57.5	278	-	160	594	

■ **max. Input speed:**
1,500 / 1,800 1/min

■ **max. Input power:**
75 kW

1 kW = 1.3410 HP 1 bar = 14.5038 psi
1 kg = 2.205 lbs 1 l = 0.26417 Gal.

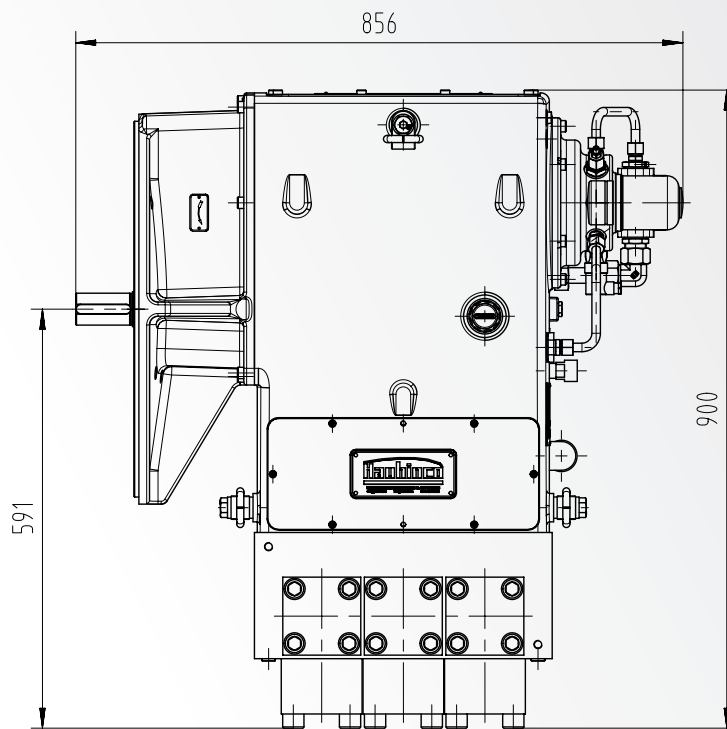
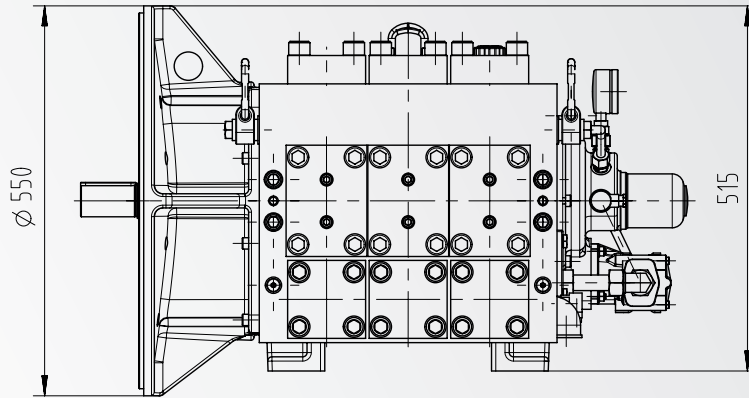
^[1] Max. approved operating pressure at the pressure connection pump head.

^[2] The weight specifications apply for pumps without any attachment parts.

Triplex Plunger Pump

EHP-3K 75

Flange-type



■ **Weight^[2]**
660 kg

EHP-3K 75

Hauhinco Maschinenfabrik GmbH & Co. KG

Beisenbruchstraße 10
45549 Sprockhövel
Germany

Phone: +49 2324 705-0
Fax: +49 2324 705-222
E-mail: info@hauhinco.de
Web: www.hauhinco.de

Hauhinco LP

1325 Evans City Road
Evans City
Pennsylvania
16033 USA

Phone: +1 724 789-7050
Fax: +1 724 789-7056
E-mail: info@hauhinco.com
Web: www.hauhinco.com