

VALVES SERIES 70

This is Metal Work's full range. Available in three sizes: 1/8", 1/4", 3/8", 1/2". Three versions: 3/2; 5/2; 5/3, four different types of actuation (mechanical, manual, pneumatic and electric). Series 70 valves can be used for a wide range of applications as they can be mounted in line, on the wall, on the cylinder using a special bracket, or in series on a multiple or manifold base.



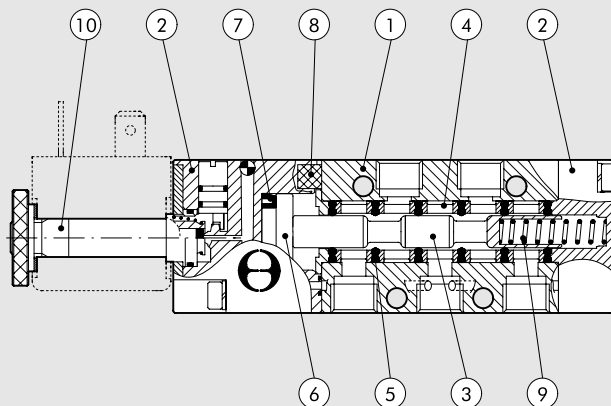
DISTRIBUTORS

VALVES SERIES 70

TECHNICAL DATA	1/8"	1/4"	3/8"	1/2"
Thread on the valve ports	1/8"	1/4"	3/8"	1/2"
Operating pressure:				
• monostable			2.5 to 10	
• bistable			1 to 10	
• asserved			vacuum to 10	
Minimum pilot pressure			2.5	
Operating temperature range			-10 to +60	
Nominal diameter	mm			
	5	7.5	13.3	15
Conductance C	NI/min · bar	121.43	264.26	505.52
Critical ratio b	bar/bar	0.32	0.27	0.32
Flow rate at 6 bar ΔP 0.5 bar	NI/min	400	750	1560
Flow rate at 6 bar ΔP 1 bar	NI/min	550	1100	2150
Installation	In any position (vertical assembly is not recommended for bistable valves subjected to vibration)			
Fluid	Filtered air without lubrication; lubrication, if used, must be continuous			
Recommended lubricant	ISO and UNI FD 22			
Maximum coil nut torque	Nm	1		
Compatibility with oils	Please refer to page 6-7 of the technical documentation			

COMPONENTS

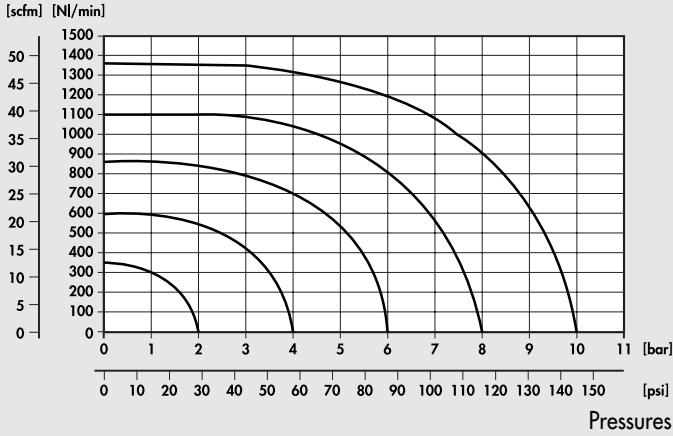
- ① VALVE BODY: Aluminium
- ② CONTROL/END CAP: plastic
- ③ SPOOL: chemically nickel-plated aluminium
- ④ DISTANCE PLATES: plastic
- ⑤ GASKETS: NBR
- ⑥ PISTONS: Hostaform®
- ⑦ PISTON GASKET: NBR
- ⑧ FILTER: sintered bronze
- ⑨ SPRINGS: special steel
- ⑩ OPERATOR: Brass pipe - Stainless steel core



FLOW CHARTS

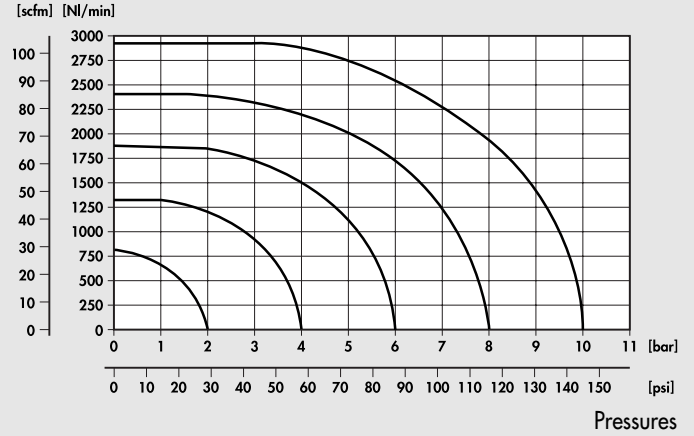
VALVES SERIES 70, 1/8"

Flow rates



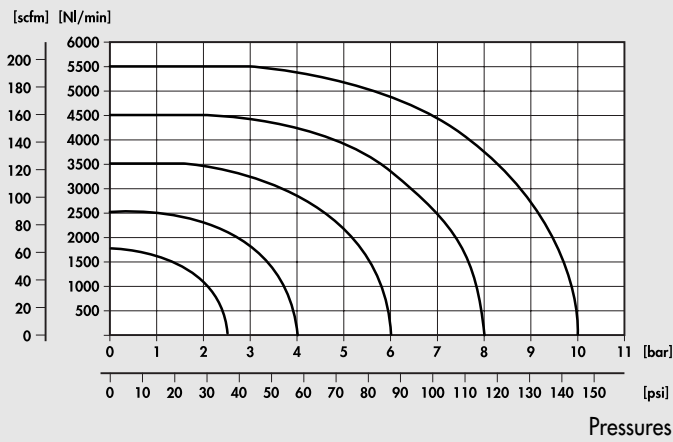
VALVES SERIES 70, 1/4"

Flow rates



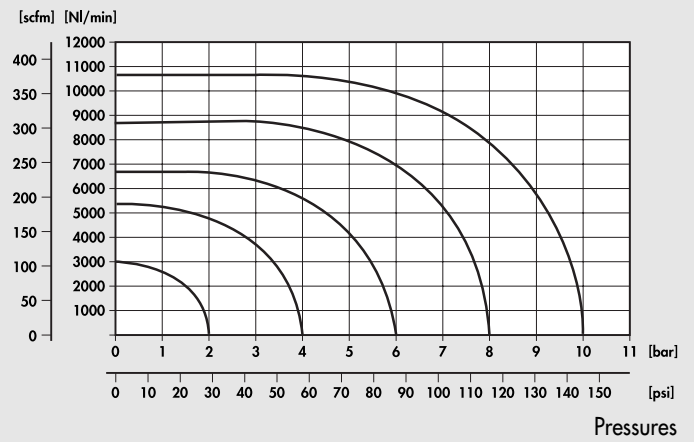
VALVES SERIES 70, 3/8"

Flow rates



VALVES SERIES 70, 1/2"

Flow rates



NOTES

VALVES SERIES 70, HAND OPERATED

TECHNICAL DATA		1/8"	1/4"	1/2"
Operating pressure range:		Vacuum to 10		
• version with direct control	bar	2.5 to 10		
• pilot-assisted version	bar	-10 to +60		
Operating temperature range		°C		
Nominal diameter	mm	5	7.5	15
Conductance C	NI/min · bar	121.43	264.26	971.43
Critical ratio b	bar/bar	0.32	0.27	0.43
Flow rate at 6 bar ΔP 0.5 bar	NI/min	400	750	3200
Flow rate at 6 bar ΔP 1 bar	NI/min	550	1100	4600



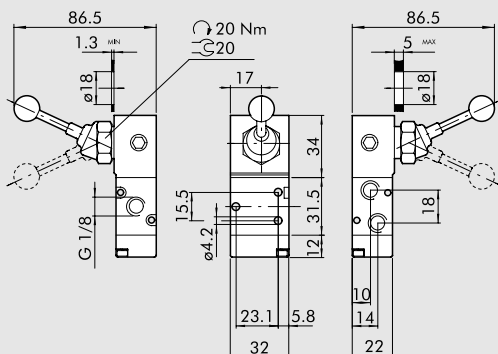
KEY TO CODES

M A V	2	3	PP	S	N C
FAMILY	DIMENSIONS	FUNCTION	OPERATORS 14	RESETTING (12)	FURTHER DETAILS
MAV manual valves	2 1/8"	3 3/2	PP drawer	A pneumatic/ mechanical springs*	NC normally closed
	3 1/4"	5 5/2	VL axial lever	S mechanical springs*	NO normally open
	4 1/2"	6 5/3	LE 90° lever	B bistable	OO no indication
		8 2 x 3/2	BRE arranged for manual panel actuators	D differential	CC closed centres
				O stable for 5/3	OC open centres
					PC pressure centres

*on demand

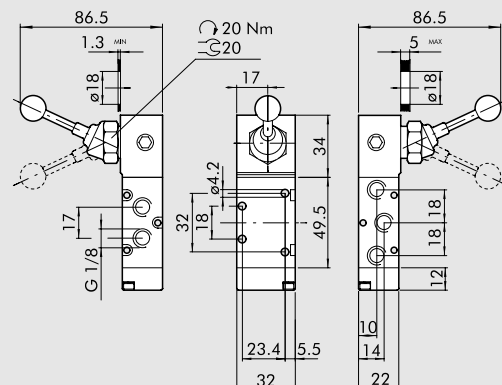
VALVES SERIES 70, HAND OPERATED, 1/8"

90° LEVER 3/2 1/8"



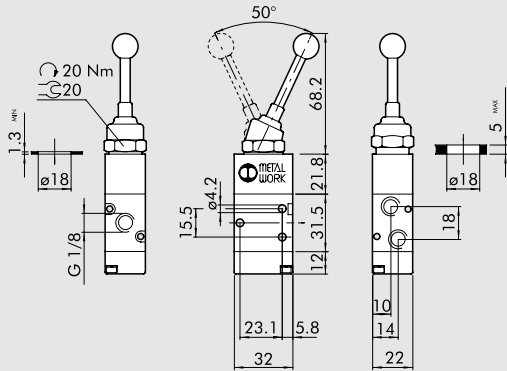
Symbol	Code	Abbrev.	Weight [g]
	7010000100	MAV 23 LES NC	168
	7010000200	MAV 23 LEB OO	171

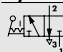
90° LEVER 5/2 1/8"



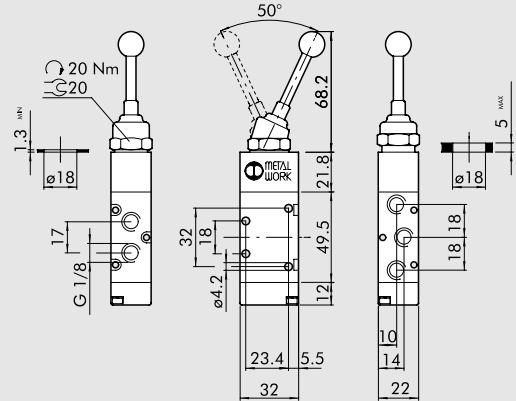
Symbol	Code	Abbrev.	Weight [g]
	7010000300	MAV 25 LES OO	194
	7010000400	MAV 25 LEB OO	197

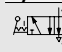
FRONT LEVER 3/2, 1/8"



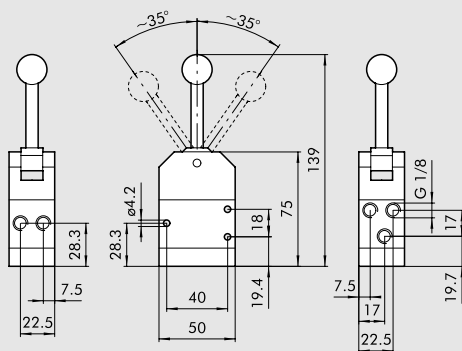
Symbol	Code	Abbrev.	Weight [g]
	7010001400	MAV 23 VLB OO	130

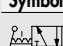

FRONT LEVER 5/2, 1/8"



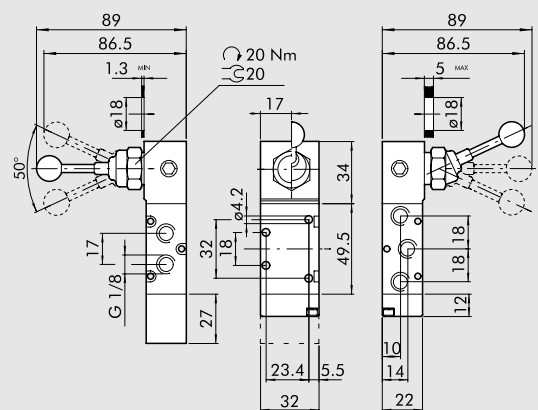
Symbol	Code	Abbrev.	Weight [g]
	7010001700	MAV 25 VLB OO	156



FRONT LEVER 5/3, 1/8"



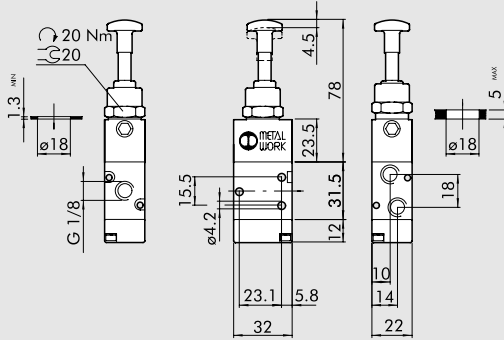
Symbol	Code	Abbrev.	Weight [g]
	7010001150	MAV 28 VLO OC	316
	7010001160	MAV 28 VLS OC	325

ANGULAR LEVER 5/3, 1/8"



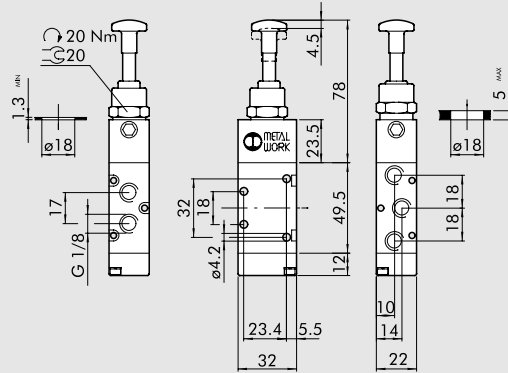
Symbol	Code	Abbrev.	Weight [g]
	7010001000	MAV 26 LES CC	242
	7010000900	MAV 26 LES OC	242
	7010001100	MAV 26 LES PC	242
	7010000500	MAV 26 LEO CC	194
	7010000600	MAV 26 LEO OC	194
	7010000700	MAV 26 LEO PC	194

DRAWER 3/2, 1/8"



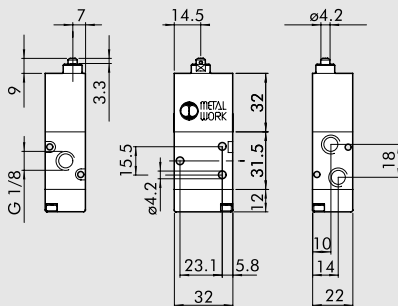
Symbol	Code	Abbrev.	Weight [g]
	7010001300	MAV 23 PPB OO	134
	7010001200	MAV 23 PPS NC	134

DRAWER 5/2, 1/8"



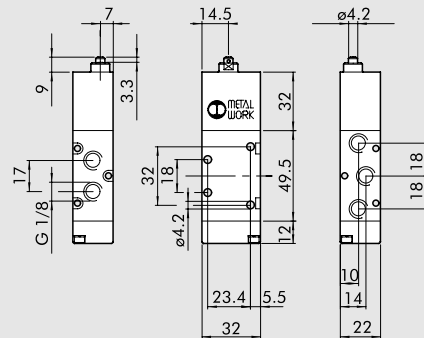
Symbol	Code	Abbrev.	Weight [g]
	7010001600	MAV 25 PPB OO	160
	7010001500	MAV 25 PPS OO	160

PILOT-ASSISTED PLUNGER 3/2 1/8" FOR PANEL ACTUATORS

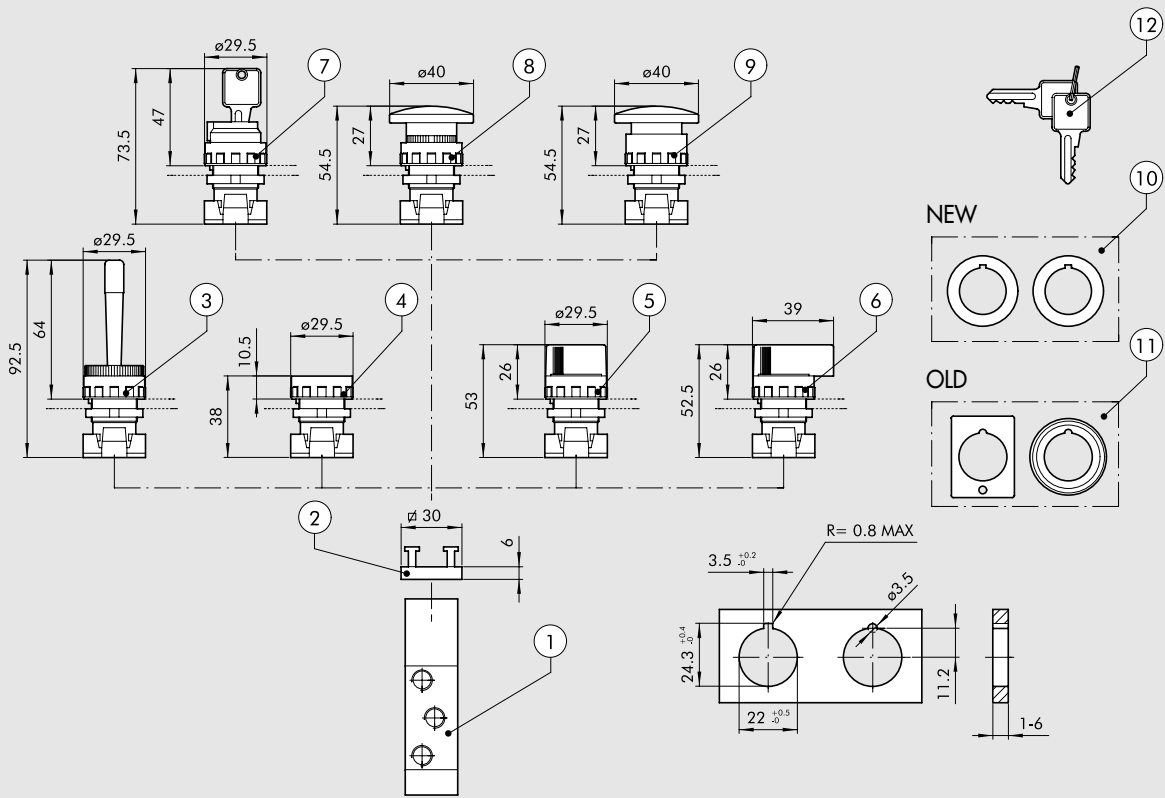


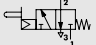

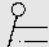
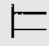
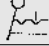

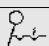
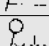

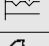


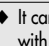
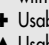
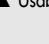


Symbol	Code	Abbrev.	Weight [g]
	7010001800	MAV 23 BRE NC	124

PILOT-ASSISTED PLUNGER 5/2 1/8" FOR PANEL ACTUATORS



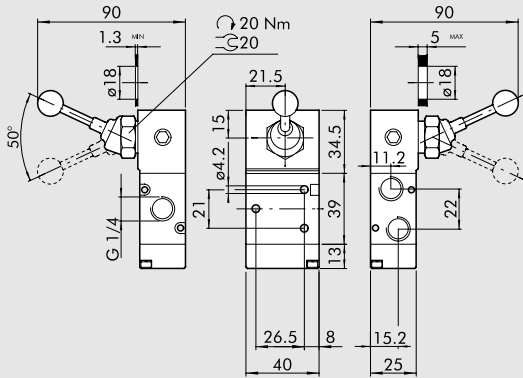
Symbol	Code	Abbrev.	Weight [g]
	7010001900	MAV 25 BRE OO	150

ASSEMBLY DIAGRAM FOR PILOT-ASSISTED HAND-OPERATED VALVES SERIES 70 WITH PANEL ACTUATORS

ORDERING CODES

Symbol	Reference	Code	Description	Weight [g]
	①	7010001800	Pilot-assisted plunger 3/2, 1/8"	124
	①	7010001900	Pilot-assisted plunger 5/2, 1/8"	150
	②	0351000050	2 places adaptor thickness 6.8 mm	5
	③	W0351000015	Red handler with horizontally pivoted lever	25
	④	W0351000011	Fat push button + 2 red/black coloured disks ◆ Bistable fat push button without disk	15
	⑤	W0351000030	Black selector short lever at 2 positions with return	20
	⑤	W0351000031	Black selector short lever at 2 positions	20
	⑤	W0351000032	Black selector short lever at 3 positions with return	20
	⑤	W0351000033	Black selector short lever at 3 positions	20
	⑥	W0351000034	Black selector long lever at 2 positions with return	26
	⑥	W0351000035	Black selector long lever at 2 positions	26
	⑥	W0351000036	Black selector long lever at 3 positions with return	26
	⑥	W0351000037	Black selector long lever at 3 positions	26
	⑦	W0351000016	2 positions key selector with extractable key in 2 positions	50
	⑦	W0351000018	2 positions key selector with extractable key in 0	50
	⑧	W0351000013	Red mushroom-head push button Ø 40	27
	⑧	W0351000017	Black mushroom-head push button Ø 40	27
	⑨	W0351000014	Red mushroom-head push button with lock Ø 40	29
◆ It can't be supplied. As working replaced by selector with bistable short lever at 2 positions ⑤.	⑩	W0351000049	◆ Reducer from 30 to 22.5 mm	
✦ Usable only with technopolymer body selectors.	⑪	W0351000050	▲ Adapter for bore Ø 30 G2326	
▲ Usable only with metal body selectors.	⑫	W0351000021	✦ Key for ESC selectors	
		W0351000056	Green disk for push button ④	

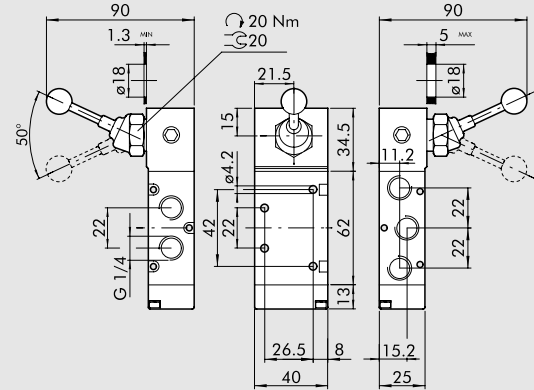
VALVES SERIES 70, HAND-OPERATED, 1/4"

90° LEVER 3/2, 1/4"



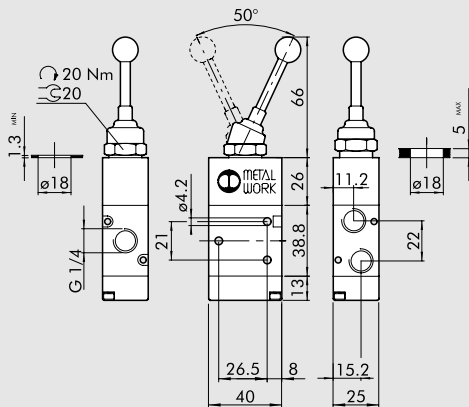
Symbol	Code	Abbrev.	Weight [g]
	7020000100	MAV 33 LES NC	244
	7020000200	MAV 33 LEB OO	244

90° LEVER 5/2, 1/4"



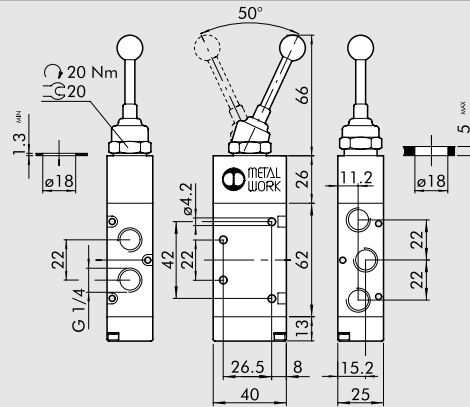
Symbol	Code	Abbrev.	Weight [g]
	7020000300	MAV 35 LES OO	290
	7020000400	MAV 35 LEB OO	290

FRONT LEVER 3/2, 1/4"



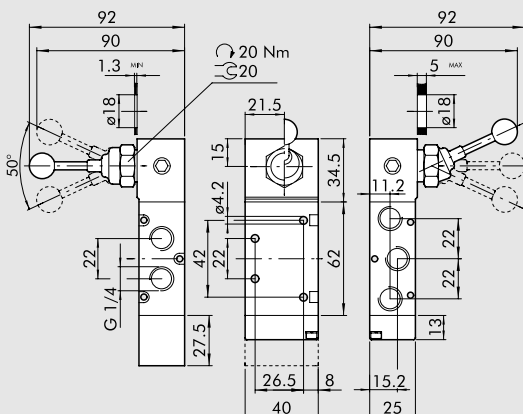
Symbol	Code	Abbrev.	Weight [g]
	7020001400	MAV 33 VLB OO	194

FRONT LEVER 5/2, 1/4"



Symbol	Code	Abbrev.	Weight [g]
	7020001700	MAV 35 VLB OO	244

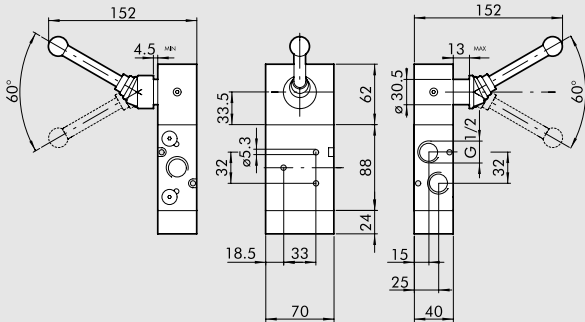
90° LEVER 5/3, 1/4"

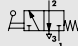
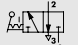


Symbol	Code	Abbrev.	Weight [g]
	7020001000	MAV 36 LES CC	354
	7020000900	MAV 36 LES OC	354
	7020001100	MAV 36 LES PC	354
	7020000500	MAV 36 LEO CC	288
	7020000600	MAV 36 LEO OC	288
	7020000700	MAV 36 LEO PC	288

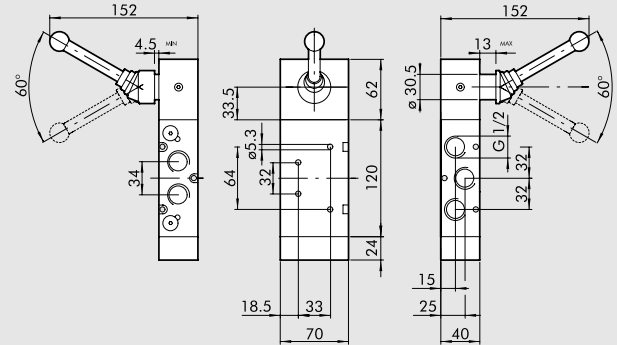
VALVES SERIES 70, HAND OPERATED, 1/2"

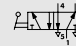
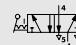
90° LEVER 3/2, 1/2"



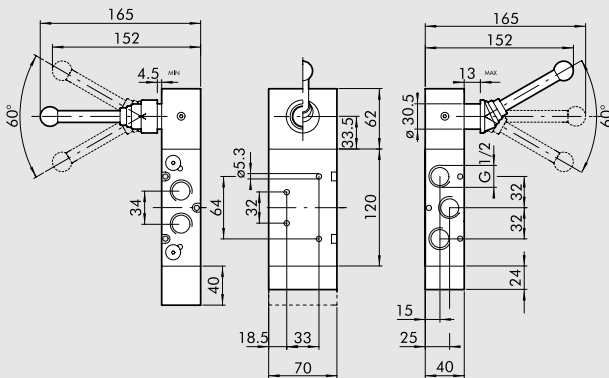
Symbol	Code	Abbrev.	Weight [g]
	7030000100	MAV 43 LES NC	1443
	7030000200	MAV 43 LEB OO	1435

90° LEVER 5/2, 1/2"



Symbol	Code	Abbrev.	Weight [g]
	7030000300	MAV 45 LES OO	1588
	7030000400	MAV 45 LEB OO	1630

90° LEVER 5/3, 1/2"



Symbol	Code	Abbrev.	Weight [g]
	7030001000	MAV 46 LES CC	1810
	7030000900	MAV 46 LES OC	1800
	7030001100	MAV 46 LES PC	1800
	7030000500	MAV 46 LEO CC	1615
	7030000600	MAV 46 LEO OC	1605
	7030000700	MAV 46 LEO PC	1605

NOTES

VALVES SERIES 70, MECHANICALLY OPERATED, 1/8"

TECHNICAL DATA

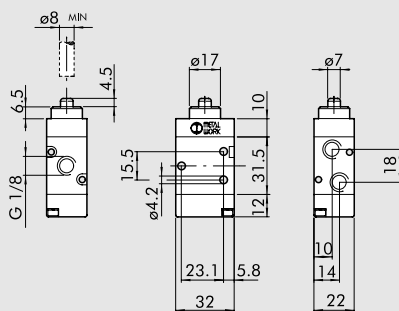
Thread at valve ports		1/8"
Operation force at 6 bar:		
• version with direct control	N	50
• pilot-assisted version	N	6
Operating pressure:		
• version with direct control	bar	Vacuum to 10
• pilot-assisted version	bar	2.5 to 10
Operating temperature range	°C	-10 to +60
Nominal diameter	mm	5
Conductance C	Nl/min · bar	121.43
Critical ratio b	bar/bar	0.32
Flow rate at 6 bar ΔP 0.5 bar	Nl/min	400
Flow rate at 6 bar ΔP 1 bar	Nl/min	550



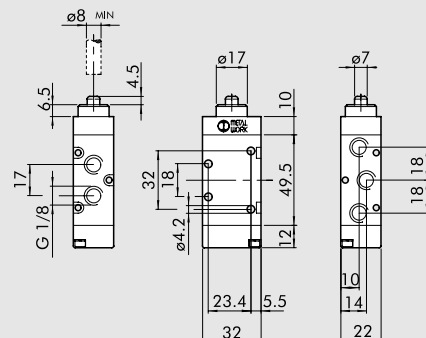
KEY TO CODES

M E V		2		3		T A		S		N C	
FAMILY		DIMENSIONS		FUNCTION		OPERATORS 14		RESETTING (12)		FURTHER DETAILS	
MEV	mechanically-operated valves	2	1/8"	3	3/2	TA	plunger	S	mechanical springs	NC	normally closed
				5	5/2	BR	bidirectional roller	A	pneumatic/mechanical spring*	OO	5/2
						UR	unidirectional roller				
						TS	sensitive plunger				
						RS	sensitive roller				
						AS	sensitive aeral				
						LL	frontal roller lever				

PLUNGER 3/2, 1/8"



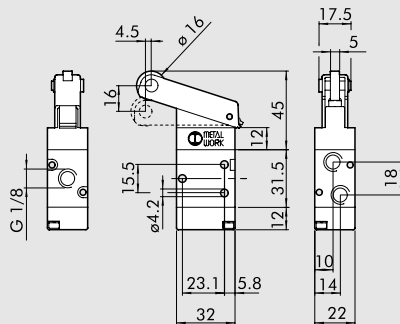
PLUNGER 5/2, 1/8"

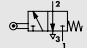


Symbol	Code	Abbrev.	Weight [g]
	7001000100	MEV 23 TAS NC	88

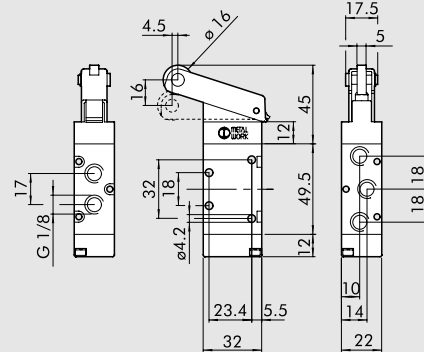
Symbol	Code	Abbrev.	Weight [g]
	7001000110	MEV 25 TAS OO	114

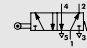
ROLLER LEVER 3/2, 1/8"



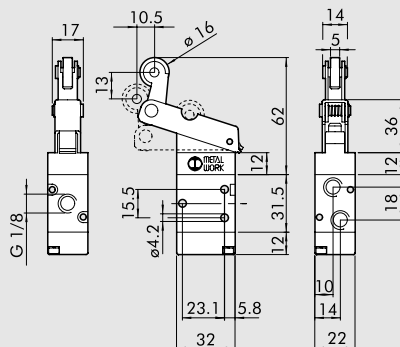
Symbol	Code	Abbrev.	Weight [g]
	7001000500	MEV 23 BRS NC	130

ROLLER LEVER 5/2, 1/8"



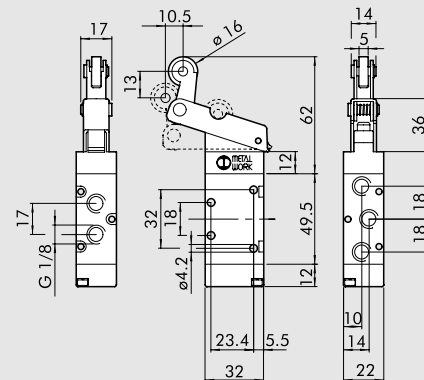
Symbol	Code	Abbrev.	Weight [g]
	7001000510	MEV 25 BRS OO	156

UNIDIRECTIONAL ROLLER 3/2, 1/8" LEVERS



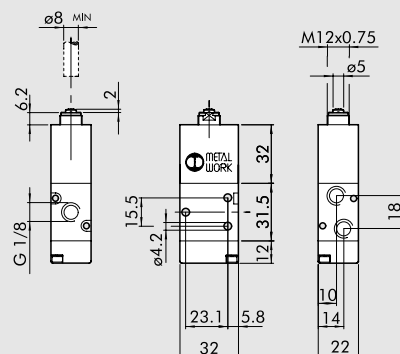
Symbol	Code	Abbrev.	Weight [g]
	7001000600	MEV 23 URS NC	136

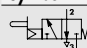
UNIDIRECTIONAL ROLLER 5/2, 1/8" LEVERS



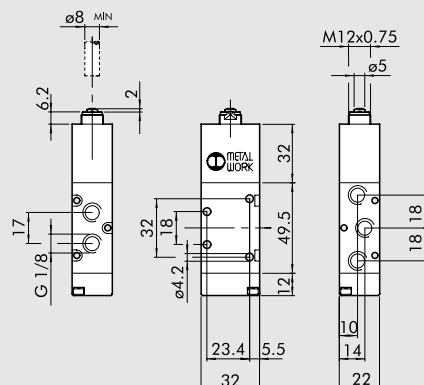
Symbol	Code	Abbrev.	Weight [g]
	7001000610	MEV 25 URS OO	162

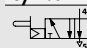
PILOT-ASSISTED PLUNGER 3/2 NC, 1/8"



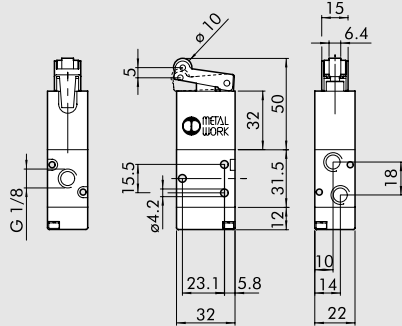
Symbol	Code	Abbrev.	Weight [g]
	7001000200	MEV 23 TSS NC	126

PILOT-ASSISTED PLUNGER 5/2, 1/8"



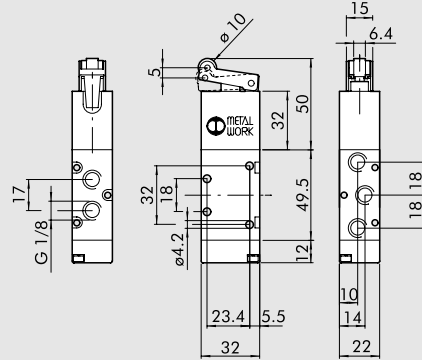
Symbol	Code	Abbrev.	Weight [g]
	7001000210	MEV 25 TSS OO	152

PILOT-ASSISTED ROLLER LEVER 3/2 NC, 1/8"



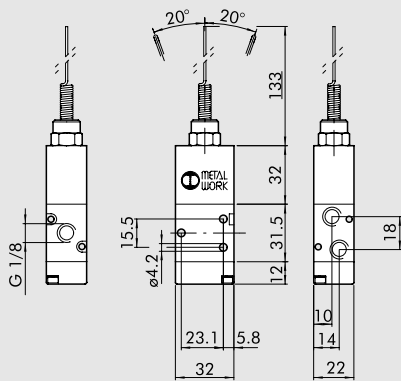
Symbol	Code	Abbrev.	Weight [g]
	7001000400	MEV 23 RSS NC	138

PILOT-ASSISTED ROLLER LEVER 5/2, 1/8"



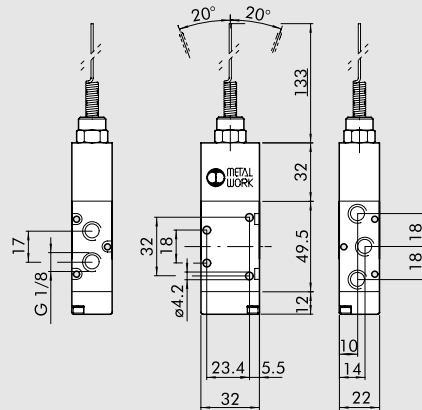
Symbol	Code	Abbrev.	Weight [g]
	7001000410	MEV 25 RSS OO	164

PILOT-ASSISTED AERIAL 3/2 NC, 1/8"



Symbol	Code	Abbrev.	Weight [g]
	7001000700	MEV 23 ASS NC	142

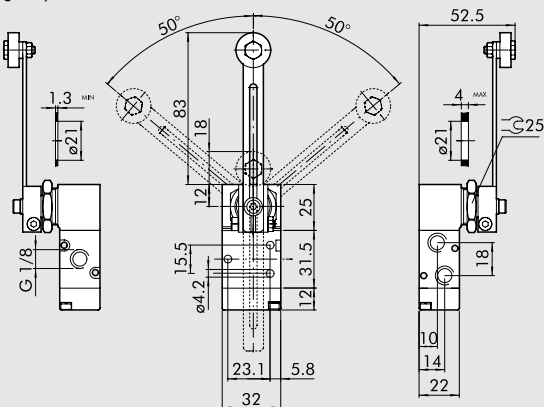
PILOT-ASSISTED AERIAL 5/2 NC, 1/8"



Symbol	Code	Abbrev.	Weight [g]
	7001000710	MEV 25 ASS OO	168

ROLLER-LEVER 3/2 1/8"

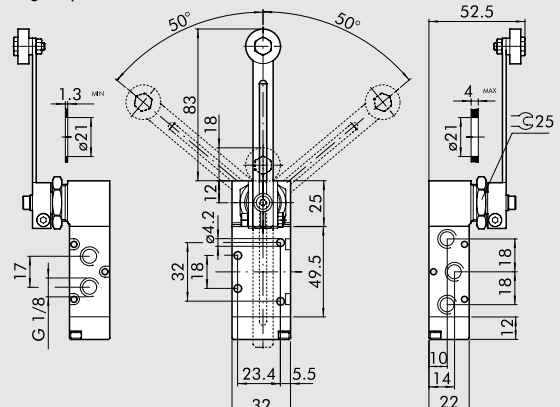
Operating torque: 0.5 Nm



Symbol	Code	Abbrev.	Weight [g]
	7001000900	MEV 23 LLS NC	189

ROLLER-LEVER 5/2 1/8"

Operating torque: 0.5 Nm



Symbol	Code	Abbrev.	Weight [g]
	7001000910	MEV 25 LLS OO	216

VALVES SERIES 70, PNEUMATIC

TECHNICAL DATA		1/8"	1/4"	3/8"	1/2"
Operating pressure	bar	Vacuum to 10			
Minimum pilot pressure					
• monostable	bar	2.5			
• bistable	bar	1			
Operating temperature range	°C	-10 to +60			
Nominal diameter	mm	5	7.5	13.3	15
Conductance C	Nl/min · bar	121.43	264.26	505.52	971.43
Critical ratio b	bar/bar	0.32	0.27	0.32	0.43
Flow rate at 6 bar ΔP 0.5 bar	Nl/min	400	750	1560	3200
Flow rate at 6 bar ΔP 1 bar	Nl/min	550	1100	2150	4600
TRA / TRR monostable at 6 bar	ms	6/15	7/15	5/28	16/46
TRA / TRR bistable at 6 bar	ms	7/7	7/7	13/13	16/16



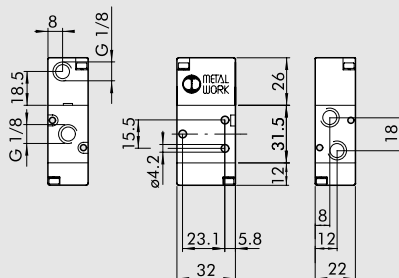
KEY TO CODES

P N V	2	3	P N	S	N C
FAMILY	DIMENSIONS	FUNCTION	OPERATORS 14	RESETTING (12)	FURTHER DETAILS
PNV pneumatic valves	2 1/8"	3 3/2	PN pneumatic	S mechanical springs	OO 5/2
	3 1/4"	5 5/2		B bistable	NC normally closed
	C 3/8"	6 5/3		D differential	NO normally open
	4 1/2"			O stable for 5/3	CC closed centres
				A pneumatic/mechanical spring*	OC open centres
					PC pressure centres

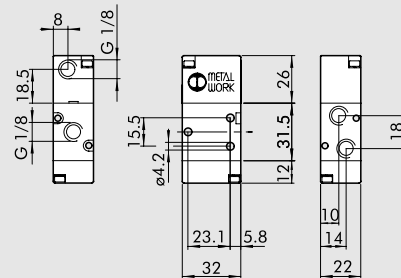
*on demand

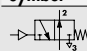
VALVES SERIES 70, PNEUMATIC, 1/8"

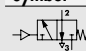
MONOSTABLE 3/2 NO, 1/8"



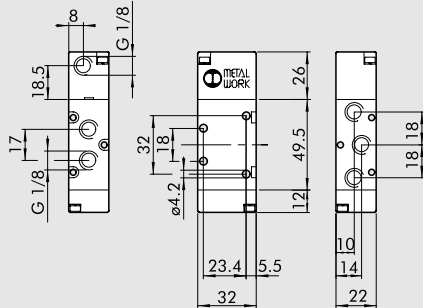
MONOSTABLE 3/2 NC, 1/8"



Symbol	Code	Abbrev.	Weight [g]
	7010010400	PNV 23 PNS NO	82

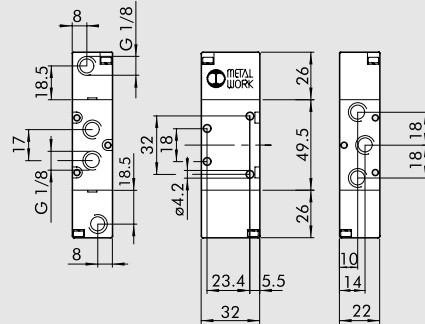
Symbol	Code	Abbrev.	Weight [g]
	7010010200	PNV 23 PNS NC	82

MONOSTABLE 5/2, 1/8"



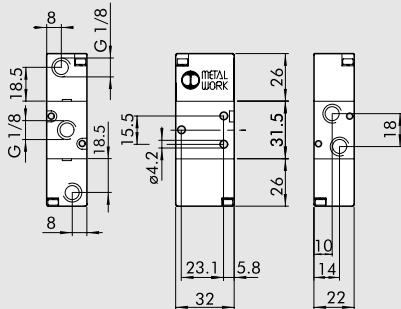
Symbol	Code	Abbrev.	Weight [g]
	7010011100	PNV 25 PNS OO	108

BISTABLE 5/2, 1/8"



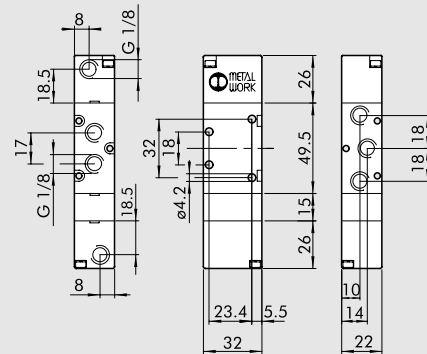
Symbol	Code	Abbrev.	Weight [g]
	7010011200	PNV 25 PNB OO	122
	7010011300	PNV 25 PND OO	128

BISTABLE 3/2, 1/8"



Symbol	Code	Abbrev.	Weight [g]
	7010010100	PNV 23 PNB OO	96

MONOSTABLE 5/3, 1/8"

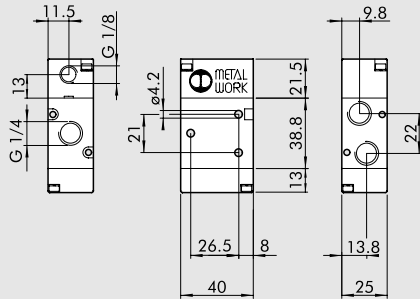


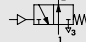
Symbol	Code	Abbrev.	Weight [g]
	7010012100	PNV 26 PNS CC	150
	7010012200	PNV 26 PNS OC	150
	7010012300	PNV 26 PNS PC	150

NOTES

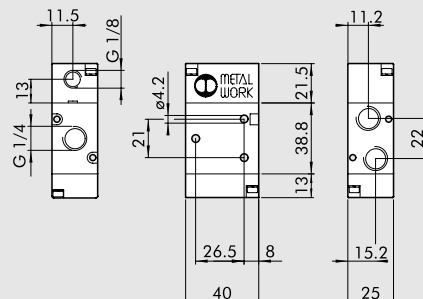
VALVES SERIES 70, PNEUMATIC, 1/4"

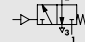
MONOSTABLE 3/2 NO, 1/4"



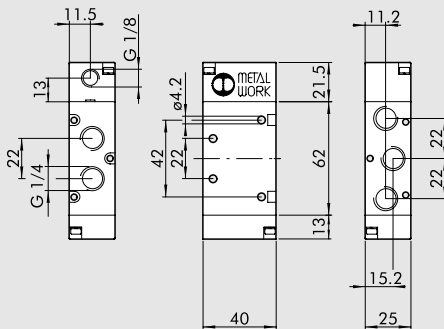
Symbol	Code	Abbrev.	Weight [g]
	7020010400	PNV 33 PNS NO	124

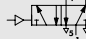
MONOSTABLE 3/2 NC, 1/4"



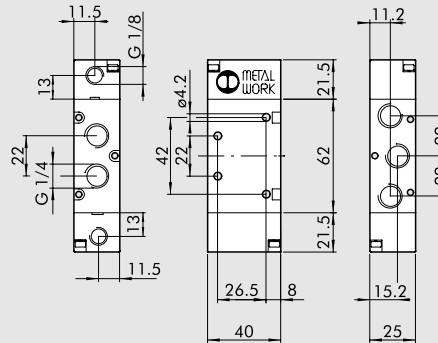
Symbol	Code	Abbrev.	Weight [g]
	7020010200	PNV 33 PNS NC	122

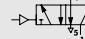
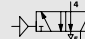
MONOSTABLE 5/2, 1/4"



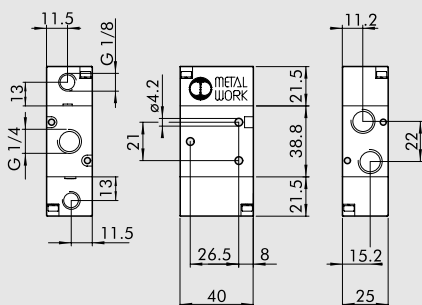
Symbol	Code	Abbrev.	Weight [g]
	7020011100	PNV 35 PNS OO	174

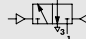
BISTABLE 5/2, 1/4"



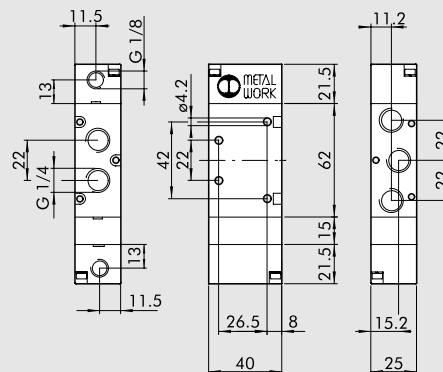
Symbol	Code	Abbrev.	Weight [g]
	7020011200	PNV 35 PNB OO	174
	7020011300	PNV 35 PND OO	198

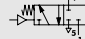
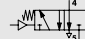
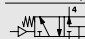
BISTABLE 3/2, 1/4"



Symbol	Code	Abbrev.	Weight [g]
	7020010100	PNV 33 PNB OO	134

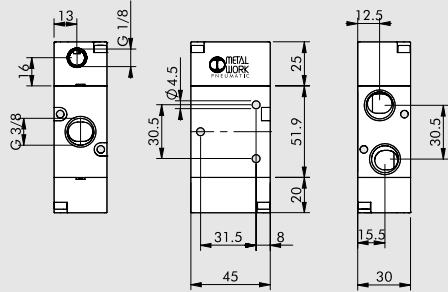
MONOSTABLE 5/3, 1/4"



Symbol	Code	Abbrev.	Weight [g]
	7020012100	PNV 36 PNS CC	124
	7020012200	PNV 36 PNS OC	124
	7020012300	PNV 36 PNS PC	124

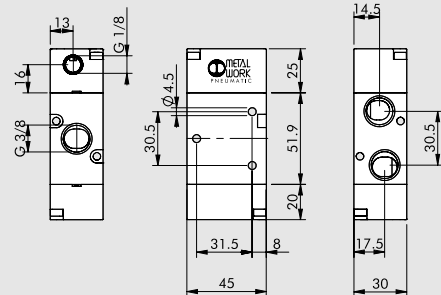
VALVES SERIES 70, PNEUMATIC, 3/8"

MONOSTABLE 3/2 NO, 3/8"



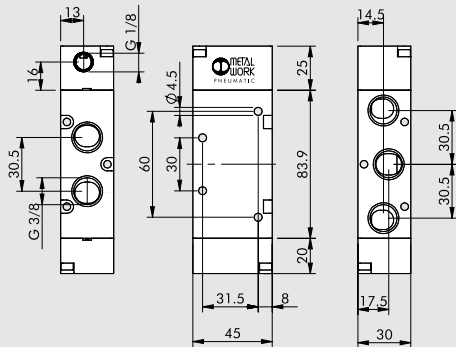
Symbol	Code	Abbrev.	Weight [g]
	7040010400	PNV C3 PNS NO	223

MONOSTABLE 3/2 NC, 3/8"



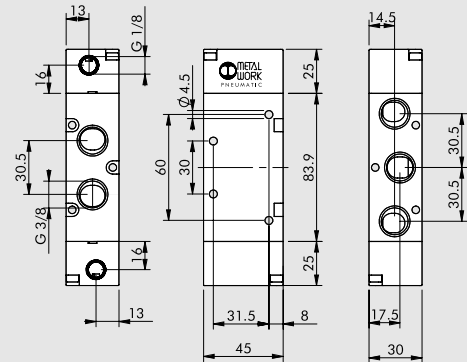
Symbol	Code	Abbrev.	Weight [g]
	7040010200	PNV C3 PNS NC	223

MONOSTABLE 5/2, 3/8"



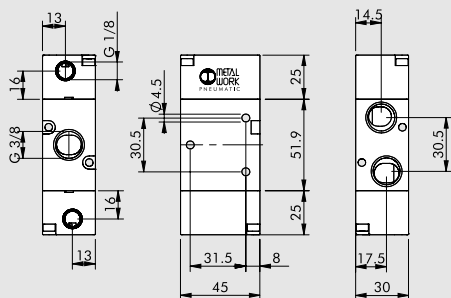
Symbol	Code	Abbrev.	Weight [g]
	7040011100	PNV C5 PNS OO	329

BISTABLE 5/2, 3/8"



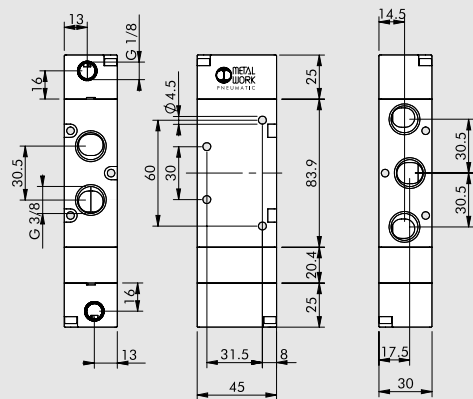
Symbol	Code	Abbrev.	Weight [g]
	7040011200	PNV C5 PNB OO	324
	7040011300	PNV C5 PND OO	360

BISTABLE 3/2, 3/8"



Symbol	Code	Abbrev.	Weight [g]
	7040010100	PNV C3 PNB OO	230

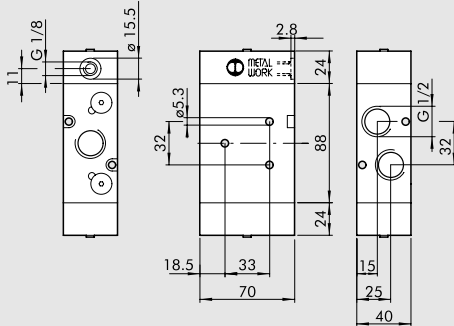
MONOSTABLE 5/3, 3/8"

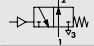


Symbol	Code	Abbrev.	Weight [g]
	7040012100	PNV C6 PNS CC	411
	7040012200	PNV C6 PNS OC	409
	7040012300	PNV C6 PNS PC	409

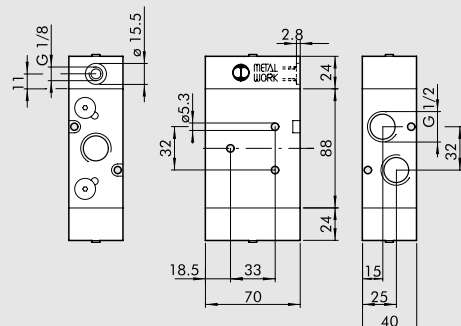
VALVES SERIES 70, PNEUMATIC, 1/2"

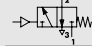
MONOSTABLE 3/2 NO, 1/2"



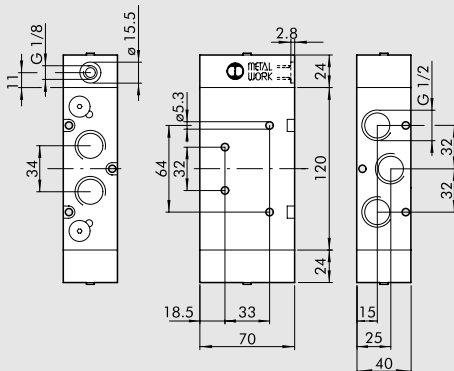
Symbol	Code	Abbrev.	Weight [g]
	7030010400	PNV 43 PNS NO	905

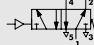
MONOSTABLE 3/2 NC, 1/2"



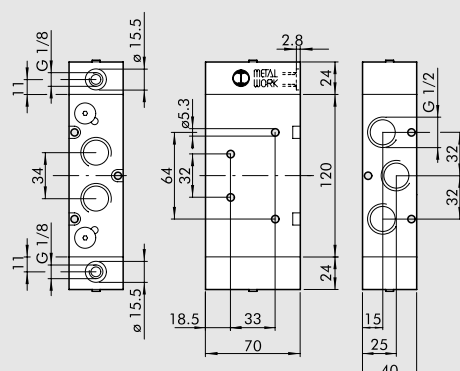
Symbol	Code	Abbrev.	Weight [g]
	7030010200	PNV 43 PNS NC	905

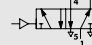
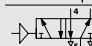
MONOSTABLE 5/2, 1/2"



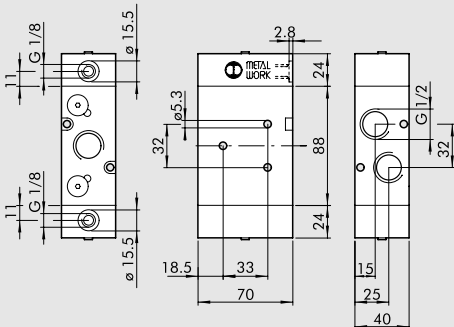
Symbol	Code	Abbrev.	Weight [g]
	7030011100	PNV 45 PNS OO	1090

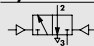
BISTABLE 5/2, 1/2"



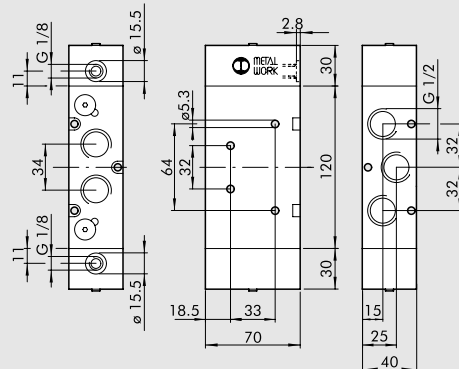
Symbol	Code	Abbrev.	Weight [g]
	7030011200	PNV 45 PNB OO	1077
	7030011300	PNV 45 PND OO	1090

BISTABLE 3/2, 1/2"



Symbol	Code	Abbrev.	Weight [g]
	7030010100	PNV 43 PNB OO	921

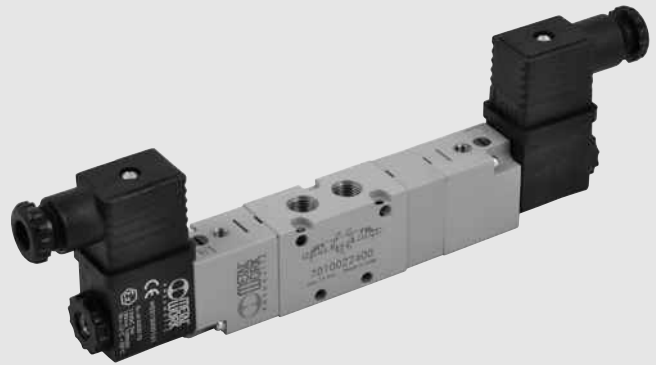
MONOSTABLE 5/3, 1/2"



Symbol	Code	Abbrev.	Weight [g]
	7030012100	PNV 46 PNS CC	1200
	7030012200	PNV 46 PNS OC	1194
	7030012300	PNV 46 PNS PC	1196

VALVES SERIES 70, SOLENOID/PNEUMATIC

TECHNICAL DATA		1/8"	1/4"	3/8"	1/2"
Operating pressure:					
• monostable	bar	2.5 to 10			
• bistable	bar	1 to 10			
• asserved	bar	Vacuum to 10			
Minimum pilot pressure	bar	2.5			
Operating temperature range	°C	-10 to +60			
Nominal diameter	mm	5	7.5	13.3	15
Conductance C	Nl/min · bar	121.43	264.26	505.52	971.43
Critical ratio b	bar/bar	0.32	0.27	0.32	0.43
Flow rate at 6 bar ΔP 0.5 bar	Nl/min	400	750	1560	3200
Flow rate at 6 bar ΔP 1 bar	Nl/min	550	1100	2150	4600
TRA / TRR monostable at 6 bar	ms	15/35	19/45	21/72	36/60
TRA / TRR bistable at 6 bar	ms	20/20	21/21	18/18	30/30
Hand operation		bistable			
Coil voltage values		12; 24 VDC - 24; 110; 220V AC 50/60Hz			
Power		2 W (DC) 3.5VA (AC)			
Voltage tolerance	%	-10 to +15			
Insulation class		F 155			
Maximum coil nut torque	Nm	1			



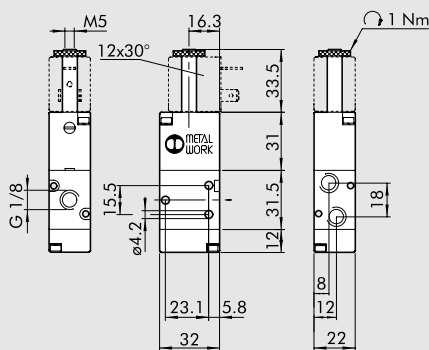
KEY TO CODES

SOV		2		3		SO		S		NC	
FAMILY		DIMENSIONS		FUNCTION		OPERATORS 14		RESETTING (12)		FURTHER DETAILS	
SOV	solenoid/pneumatic	2	1/8"	3	3/2	SO	solenoid	S	mechanical springs	NC	normally closed
		3	1/4"	5	5/2	SE	solenoid assisted	B	bistable	NO	normally open
		C	3/8"	6	5/3			D	differential	CC	closed centres
		4	1/2"					P	pneumatic	OC	open centres
								A	pneumatic/mechanical spring*	PC	pressure centres
										OO	5/2

*on demand

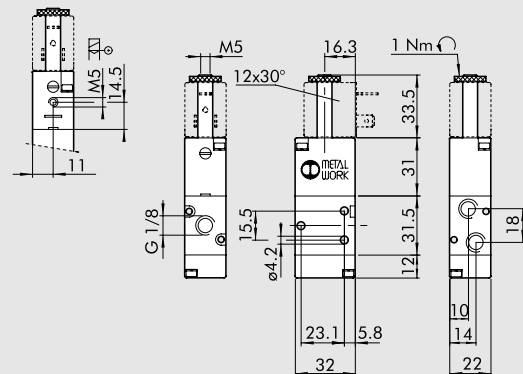
VALVES SERIES 70, SOLENOID/PNEUMATIC-PILOT-ASSISTED SOLENOID/PNEUMATIC, 1/8"

MONOSTABLE 3/2 NO, 1/8"



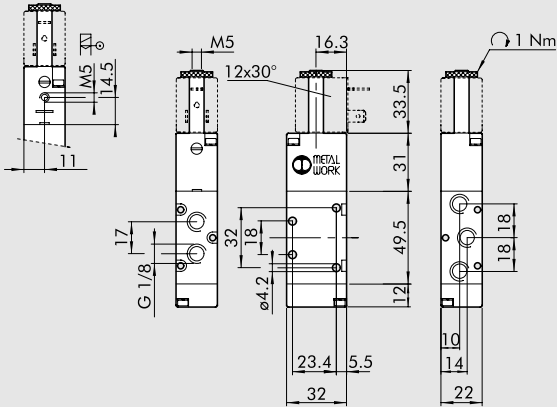
Symbol	Code	Abbrev.	Weight [g]
	7010020400	SOV 23 SOS NO	100

MONOSTABLE 3/2 NC, 1/8"



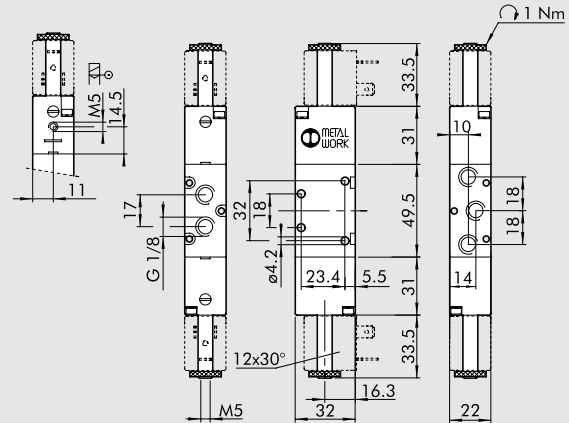
Symbol	Code	Abbrev.	Weight [g]
	7010020200	SOV 23 SOS NC	100
	7010020500	SOV 23 SES NC	100

MONOSTABLE 5/2, 1/8"



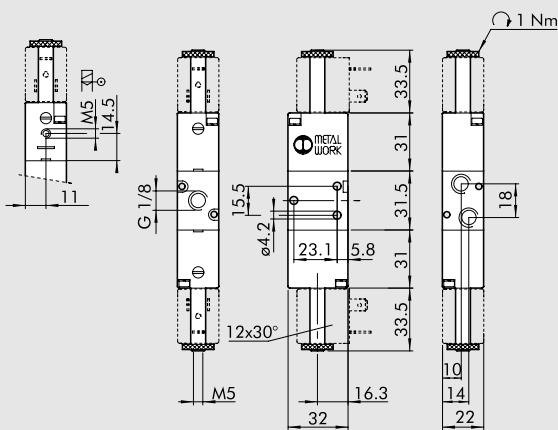
Symbol	Code	Abbrev.	Weight [g]
	7010021100	SOV 25 SOS OO	128
	7010021500	SOV 25 SES OO	129

BISTABLE 5/2, 1/8"



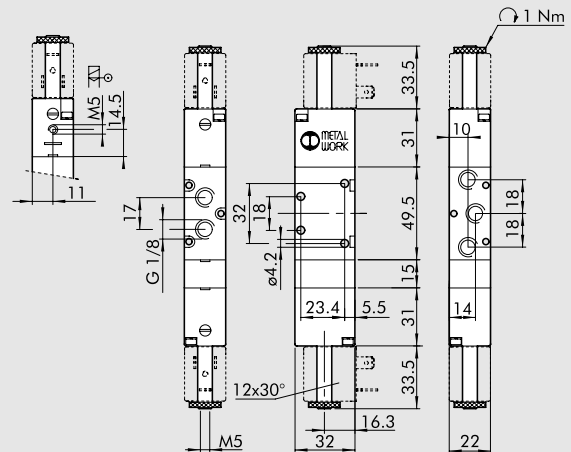
Symbol	Code	Abbrev.	Weight [g]
	7010021200	SOV 25 SOB OO	160
	7010021300	SOV 25 SOD OO	166
	7010021600	SOV 25 SEB OO	160

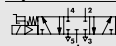
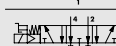
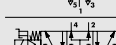
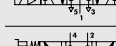
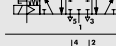
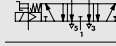
BISTABLE 3/2, 1/8"



Symbol	Code	Abbrev.	Weight [g]
	7010020100	SOV 23 SOB OO	135
	7010020300	SOV 23 SEB OO	136

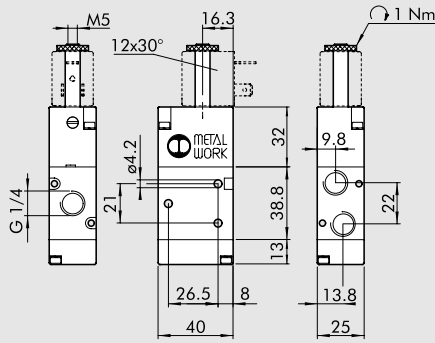
MONOSTABLE 5/3, 1/8"



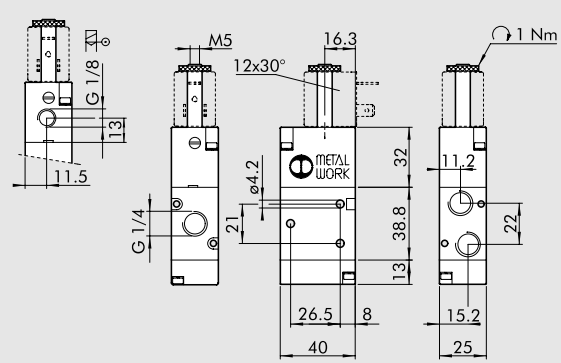
Symbol	Code	Abbrev.	Weight [g]
	7010022100	SOV 26 SOS CC	190
	7010022200	SOV 26 SOS OC	190
	7010022300	SOV 26 SOS PC	190
	7010022400	SOV 26 SES CC	188
	7010022500	SOV 26 SES OC	188
	7010022600	SOV 26 SES PC	188

VALVES SERIES 70, SOLENOID/PNEUMATIC-PILOT-ASSISTED SOLENOID/ PNEUMATIC, 1/4"

MONOSTABLE 3/2 NO, 1/4"



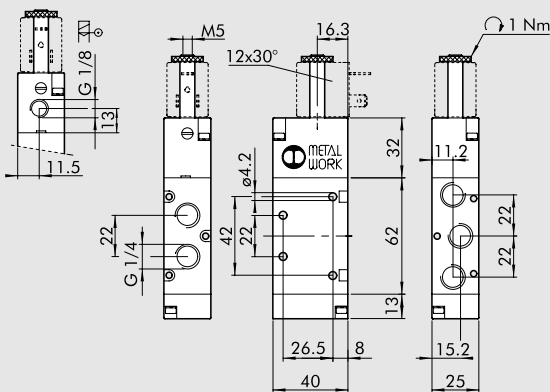
MONOSTABLE 3/2 NC, 1/4"



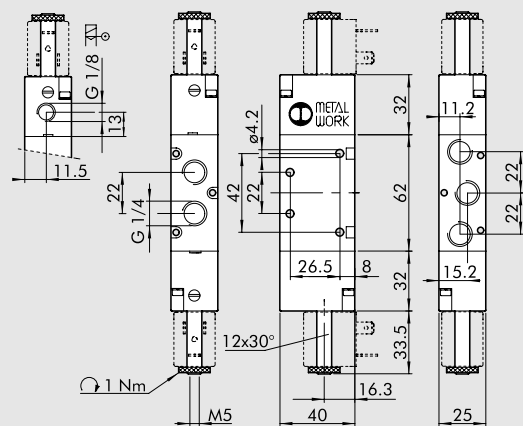
Symbol	Code	Abbrev.	Weight [g]
	7020020400	SOV 33 SOS NO	152

Symbol	Code	Abbrev.	Weight [g]
	7020020200	SOV 33 SOS NC	152
	7020020500	SOV 33 SES NC	152

MONOSTABLE 5/2, 1/4"



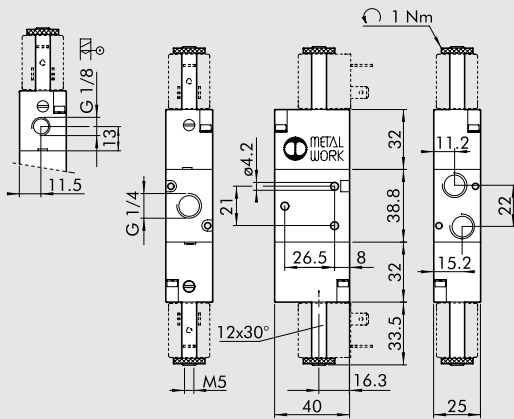
BISTABLE 5/2, 1/4"

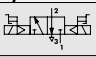
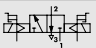


Symbol	Code	Abbrev.	Weight [g]
	7020021100	SOV 35 SOS OO	200
	7020021500	SOV 35 SES OO	200

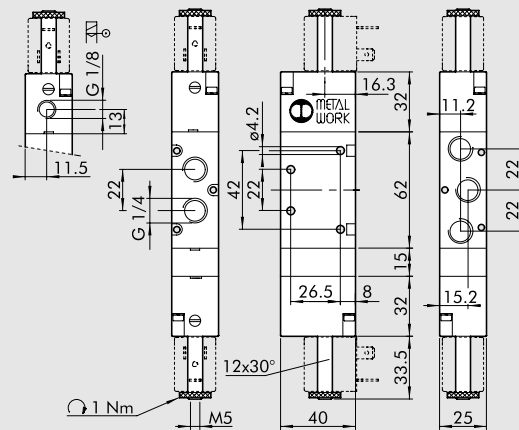
Symbol	Code	Abbrev.	Weight [g]
	7020021200	SOV 35 SOB OO	236
	7020021300	SOV 35 SOD OO	252
	7020021600	SOV 35 SEB OO	242

BISTABLE 3/2, 1/4"



Symbol	Code	Abbrev.	Weight [g]
	7020020100	SOV 33 SOB OO	190
	7020020300	SOV 33 SEB OO	190

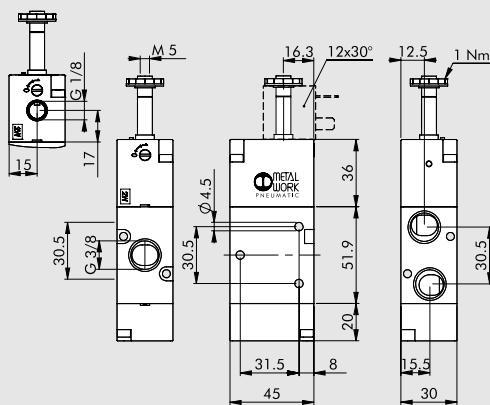
MONOSTABLE 5/3, 1/4"

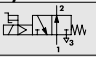
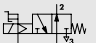


Symbol	Code	Abbrev.	Weight [g]
	7020022100	SOV 36 SOS CC	274
	7020022200	SOV 36 SOS OC	274
	7020022300	SOV 36 SOS PC	274
	7020022400	SOV 36 SES CC	277
	7020022500	SOV 36 SES OC	277
	7020022600	SOV 36 SES PC	277

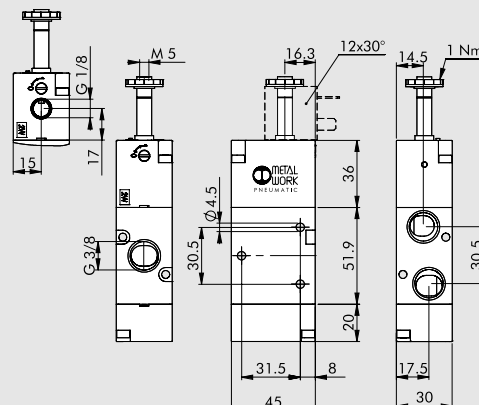
VALVES SERIES 70, SOLENOID/PNEUMATIC-PILOT-ASSISTED SOLENOID/ PNEUMATIC, 3/8"

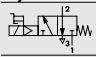
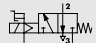
MONOSTABLE 3/2 NO, 3/8"



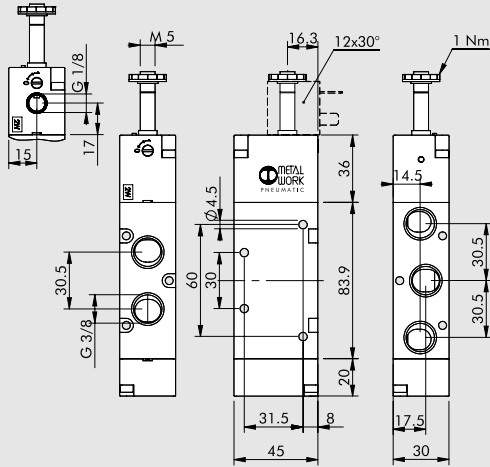
Symbol	Code	Abbrev.	Weight [g]
	7040020400	SOV C3 SOS NO	256
	7040020600	SOV C3 SES NO	255

MONOSTABLE 3/2 NC, 3/8"

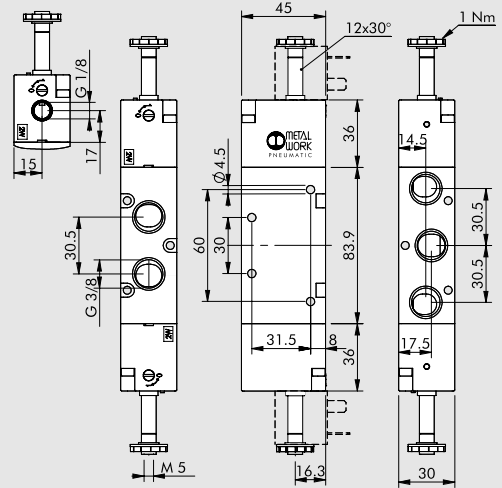


Symbol	Code	Abbrev.	Weight [g]
	7040020200	SOV C3 SOS NC	256
	7040020500	SOV C3 SES NC	255

MONOSTABLE 5/2, 3/8"



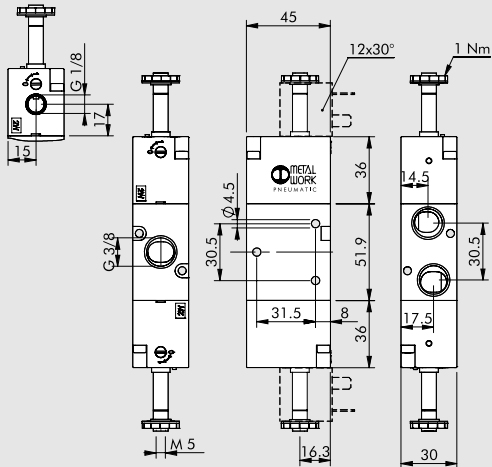
BISTABLE 5/2, 3/8"



Symbol	Code	Abbrev.	Weight [g]
	7040021100	SOV C5 SOS OO	361
	7040021500	SOV C5 SES OO	361

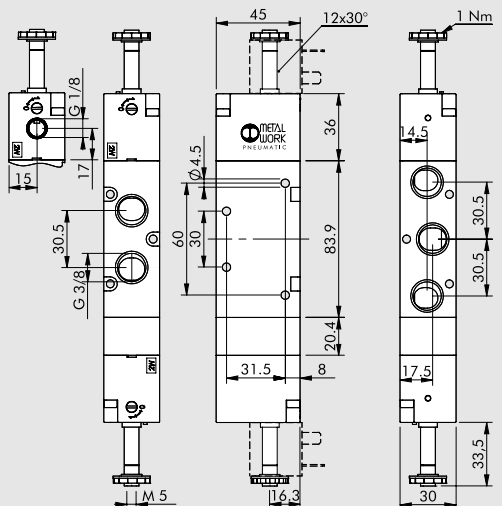
Symbol	Code	Abbrev.	Weight [g]
	7040021200	SOV C5 SOB OO	400
	7040021300	SOV C5 SOD OO	425
	7040021600	SOV C5 SEB OO	400

BISTABLE 3/2, 3/8"



Symbol	Code	Abbrev.	Weight [g]
	7040020100	SOV C3 SOB OO	307
	7040020300	SOV C3 SEB OO	307

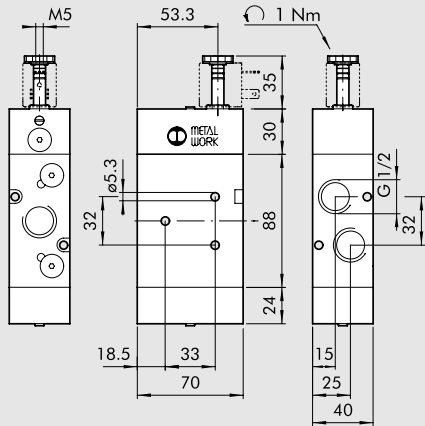
MONOSTABLE 5/3, 3/8"



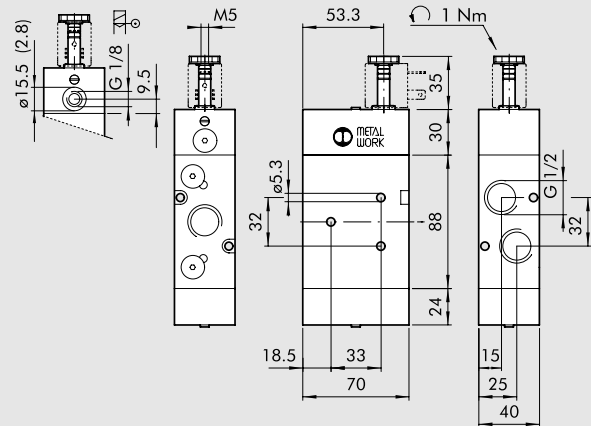
Symbol	Code	Abbrev.	Weight [g]
	7040022100	SOV C6 SOS CC	476
	7040022200	SOV C6 SOS OC	474
	7040022300	SOV C6 SOS PC	474
	7040022400	SOV C6 SES CC	476
	7040022500	SOV C6 SES OC	474
	7040022600	SOV C6 SES PC	474

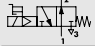
VALVES SERIES 70, SOLENOID/PNEUMATIC-PILOT-ASSISTED SOLENOID/PNEUMATIC, 1/2"

MONOSTABLE 3/2 NO, 1/2"



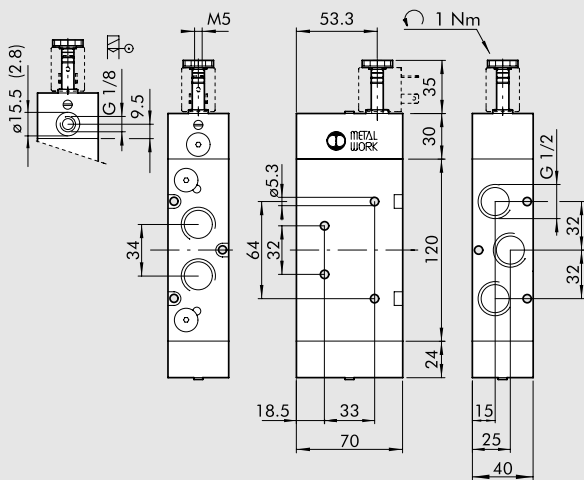
MONOSTABLE 3/2 NC, 1/2"



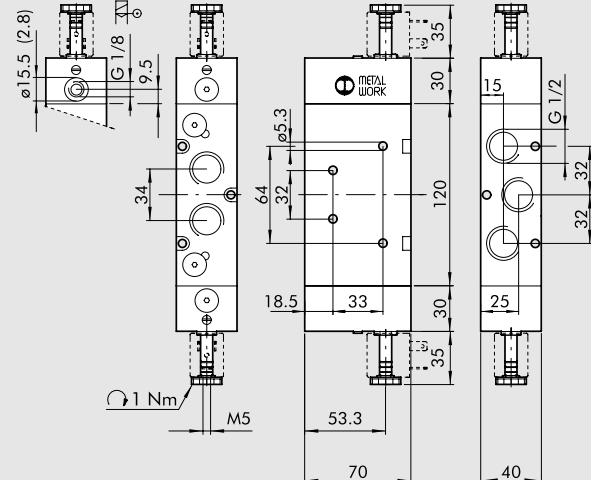
Symbol	Code	Abbrev.	Weight [g]
	7030020400	SOV 43 SOS NO	930

Symbol	Code	Abbrev.	Weight [g]
	7030020200	SOV 43 SOS NC	930
	7030020500	SOV 43 SES NC	923

MONOSTABLE 5/2, 1/2"



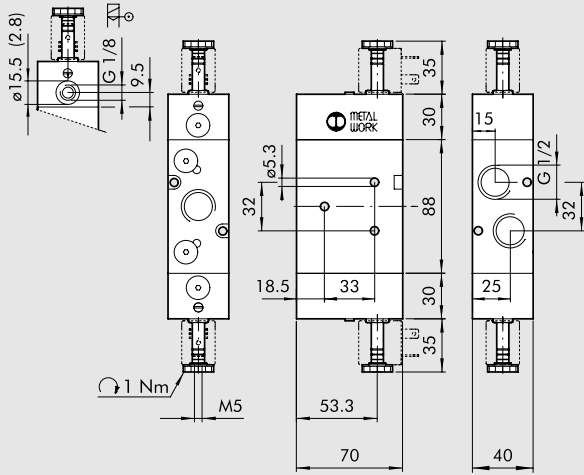
BISTABLE 5/2, 1/2"



Symbol	Code	Abbrev.	Weight [g]
	7030021100	SOV 45 SOS OO	1120
	7030021500	SOV 45 SES OO	1113

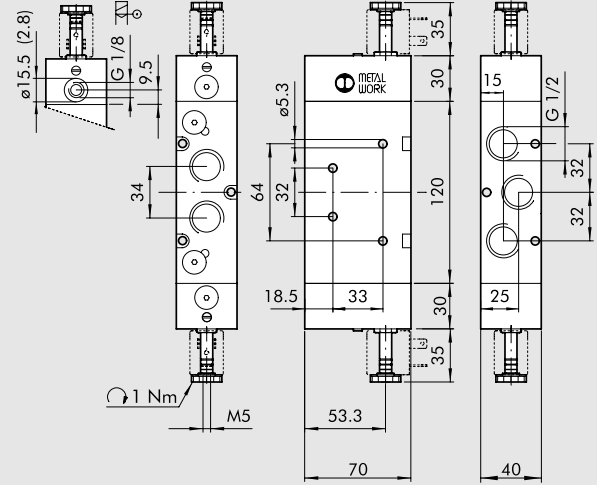
Symbol	Code	Abbrev.	Weight [g]
	7030021200	SOV 45 SOB OO	1140
	7030021300	SOV 45 SOD OO	1152
	7030021600	SOV 45 SEB OO	1127

BISTABLE 3/2, 1/2"



Symbol	Code	Abbrev.	Weight [g]
	7030020100	SOV 43 SOB OO	955
	7030020300	SOV 43 SEB OO	942

MONOSTABLE 5/3, 1/2"



Symbol	Code	Abbrev.	Weight [g]
	7030022100	SOV 46 SOS CC	1265
	7030022200	SOV 46 SOS OC	1265
	7030022300	SOV 46 SOS PC	1265
	7030022400	SOV 46 SES CC	1252
	7030022500	SOV 46 SES OC	1252
	7030022600	SOV 46 SES PC	1252

ACCESSORIES FOR SERIES 70 SOLENOID/PNEUMATIC VALVES

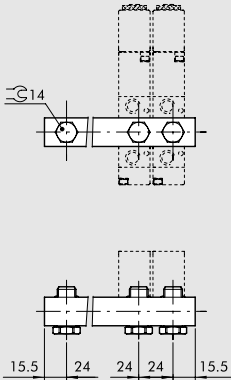
Refer to page 2-48 for coils and connectors



NOTES

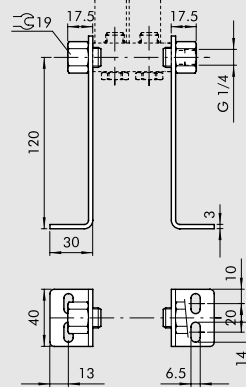
ACCESSORIES: 1/8 MANIFOLDS FOR SERIES 70 PNV-SOV VALVES

MANIFOLD WITH 2 TO 7 POSITIONS + FITTINGS



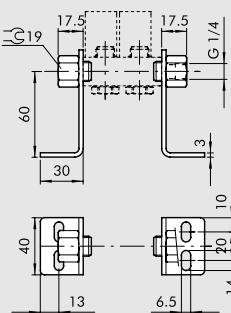
Code	Description	Weight [g]
0221000200	CSA-18-02	70
0221000300	CSA-18-03	99
0221000400	CSA-18-04	131
0221000500	CSA-18-05	162
0221000600	CSA-18-06	192
0221000700	CSA-18-07	229

BRACKET SET H120



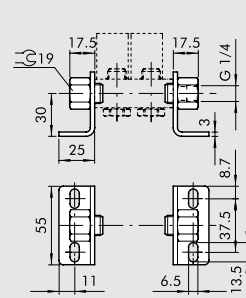
Code	Description	Weight [g]
0221000190	CSA-18-00	309

BRACKET SET H60



Code	Description	Weight [g]
0221000191	CSA-18-0C	213

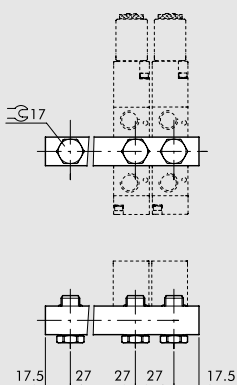
BRACKET SET H30



Code	Description	Weight [g]
0221000192	CSA-18-0E	181

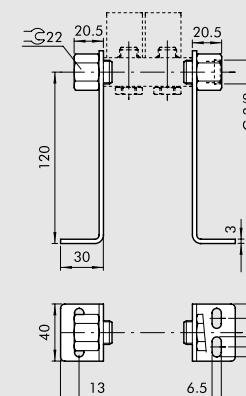
ACCESSORIES: 1/4 MANIFOLDS FOR SERIES 70 PNV-SOV VALVES

MANIFOLD WITH 2 TO 7 POSITIONS + FITTINGS



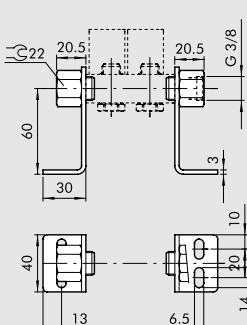
Code	Description	Weight [g]
0222000200	CSA-14-02	89
0222000300	CSA-14-03	131
0222000400	CSA-14-04	174
0222000500	CSA-14-05	213
0222000600	CSA-14-06	252
0222000700	CSA-14-07	328

BRACKET SET H120



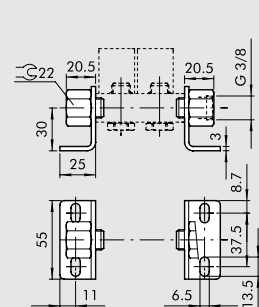
Code	Description	Weight [g]
0222000190	CSA-14-00	338

BRACKET SET H60



Code	Description	Weight [g]
0222000191	CSA-14-0C	242

BRACKET SET H30



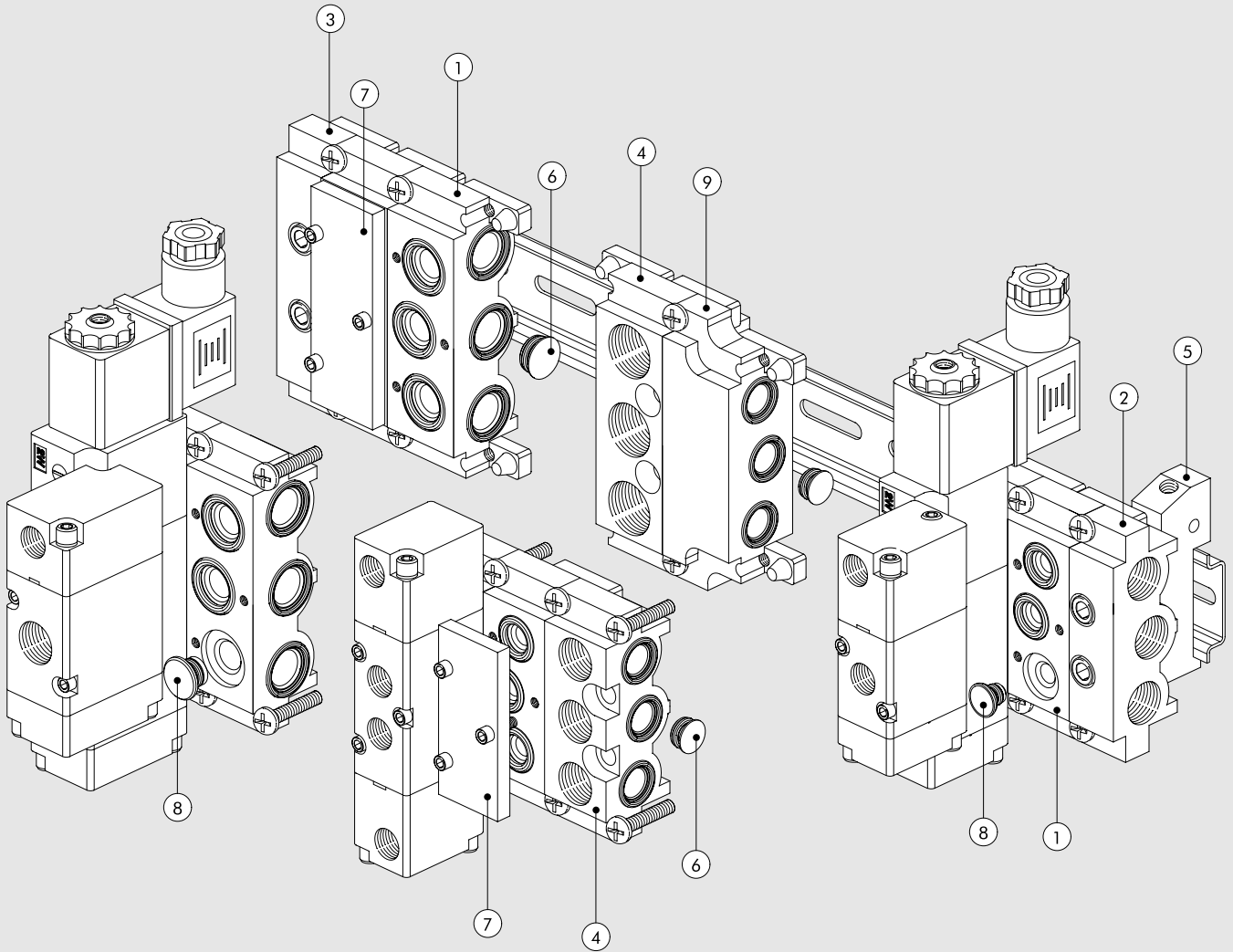
Code	Description	Weight [g]
0222000192	CSA-14-0E	209

ACCESSORIES: MANIFOLD BASES FOR SERIES 70 PNV-SOV VALVES

MODULAR BASES FOR SERIES 70 SOV-PNV VALVES

DISTRIBUTORS

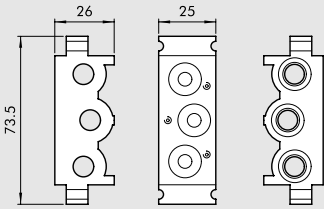
ACCESSORIES FOR VALVES SERIES 70



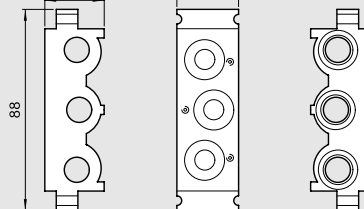
	1/8"	1/4"	
Reference	Code	Code	Description
①	0226004150	0226005150	Modular manifold base
②	0226004201	0226005201	End plate without OR
③	0226004200	0226005200	End plate with OR
④	0226004300	0226005300	Intermediate part for upper feed
⑤	0226004600	0226005600	Adapter for omega bar
⑥	0226004000	0226005000	Intermediate diaphragm
⑦	0226004500	0226005500	Blanking plate
⑧	0226004001	0226005001	3/2 cap
⑨	0226006600	-	Dimensional adapter

① MODULAR BASE

1/8"



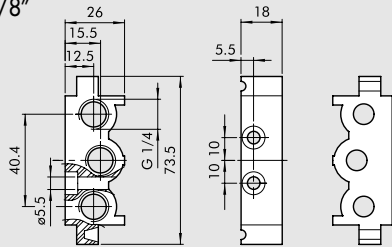
1/4"



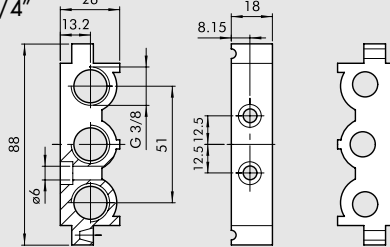
Code	Description	Weight [g]
0226004150	Comp. MANIFOLD 1/8"	110
0226005150	Comp. MANIFOLD 1/4"	131

② END PLATE WITHOUT OR

1/8"



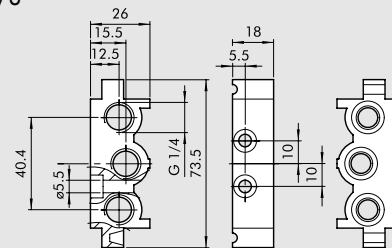
1/4"



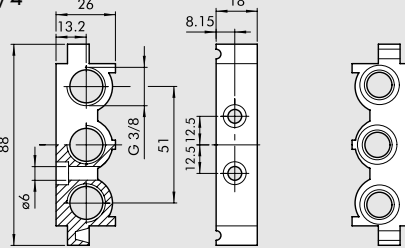
Code	Description	Weight [g]
0226004201	End plate without OR 1/8"	52
0226005201	End plate without OR 1/4"	57

③ END PLATE WITH OR

1/8"



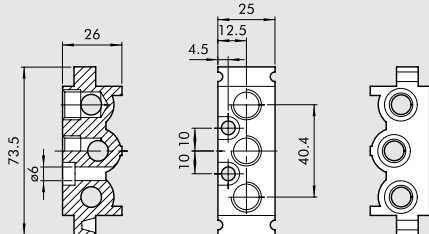
1/4"



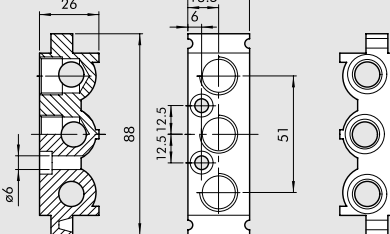
Code	Description	Weight [g]
0226004200	End plate with OR 1/8"	74
0226005200	End plate with OR 1/4"	80

④ INTERMEDIATE PART FOR UPPER FEED

1/8"



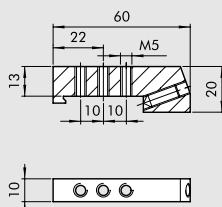
1/4"



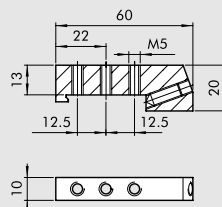
Code	Description	Weight [g]
0226004300	Intermediate part for upper feed 1/8"	93
0226005300	Intermediate part for upper feed 1/4"	109

⑤ ADAPTER FOR OMEGA BAR BASES (DIN EN 50022)

1/8"



1/4"

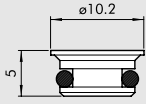


Code	Description	Weight [g]
0226004600	Adapter 1/8"	46
0226005600	Adapter 1/4"	46

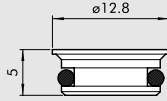
N.B.: Also for multiple bases

⑥ INTERMEDIATE DIAPHRAGM

1/8"



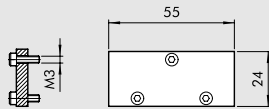
1/4"



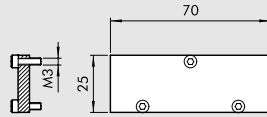
Code	Description	Weight [g]
0226004000	Intermediate diaphragm 1/8"	2
0226005000	Intermediate diaphragm 1/4"	3

⑦ BLANKING PLATE FOR UNUSED POSITIONS

1/8"



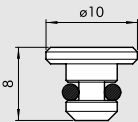
1/4"



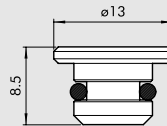
Code	Description	Weight [g]
0226004500	Comp. pcs 1/8"	23
0226005500	Comp. pcs 1/4"	29

⑧ PLUG FOR 3/2

1/8"

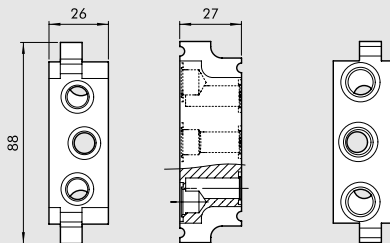


1/4"



Code	Description	Weight [g]
0226004001	Complete plug 3/2 1/8"	2
0226005001	Complete plug 3/2 1/4"	4

⑨ DIMENSIONAL ADAPTER 1/8" - 1/4"

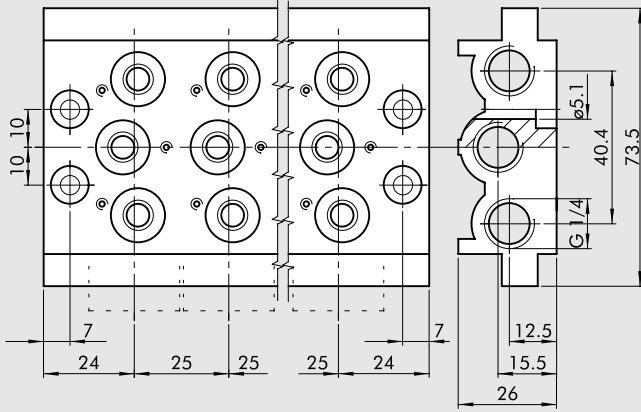


Code	Description	Weight [g]
0226006600	Comp. adapt. 1/8", 1/4"	177

NOTES

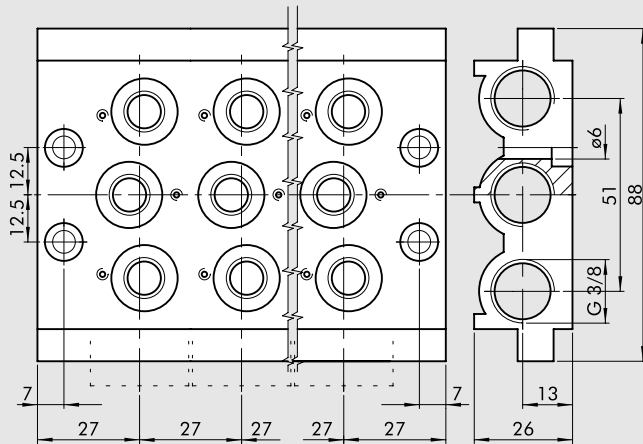
ACCESSORIES: MULTIPLE BASES FOR SERIES 70 PNV-SOV VALVES

MULTIPLE BASES 1/8"



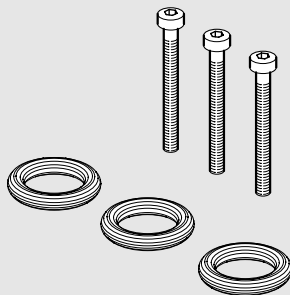
Code	Description	Abbrev.	Weight [g]
0223000201	2-position base	CVM-18-02	236
0223000301	3-position base	CVM-18-03	321
0223000401	4-position base	CVM-18-04	407
0223000501	5-position base	CVM-18-05	494
0223000601	6-position base	CVM-18-06	587
0223000701	7-position base	CVM-18-07	711
0223000801	8-position base	CVM-18-08	760
0223000901	9-position base	CVM-18-09	842
0223001001	10-position base	CVM-18-10	923

MULTIPLE BASES 1/4"



Code	Description	Abbrev.	Weight [g]
0224000201	2-position base	CVM-14-02	296
0224000301	3-position base	CVM-14-03	406
0224000401	4-position base	CVM-14-04	515
0224000501	5-position base	CVM-14-05	624
0224000601	6-position base	CVM-14-06	733
0224000701	7-position base	CVM-14-07	845
0224000801	8-position base	CVM-14-08	956
0224000901	9-position base	CVM-14-09	1055
0224001001	10-position base	CVM-14-10	1086

GASKET KIT



Code	Description	Weight [g]
0226004701	Gasket kit for 1/8" base	5
0226005701	Gasket kit for 1/4" base	5