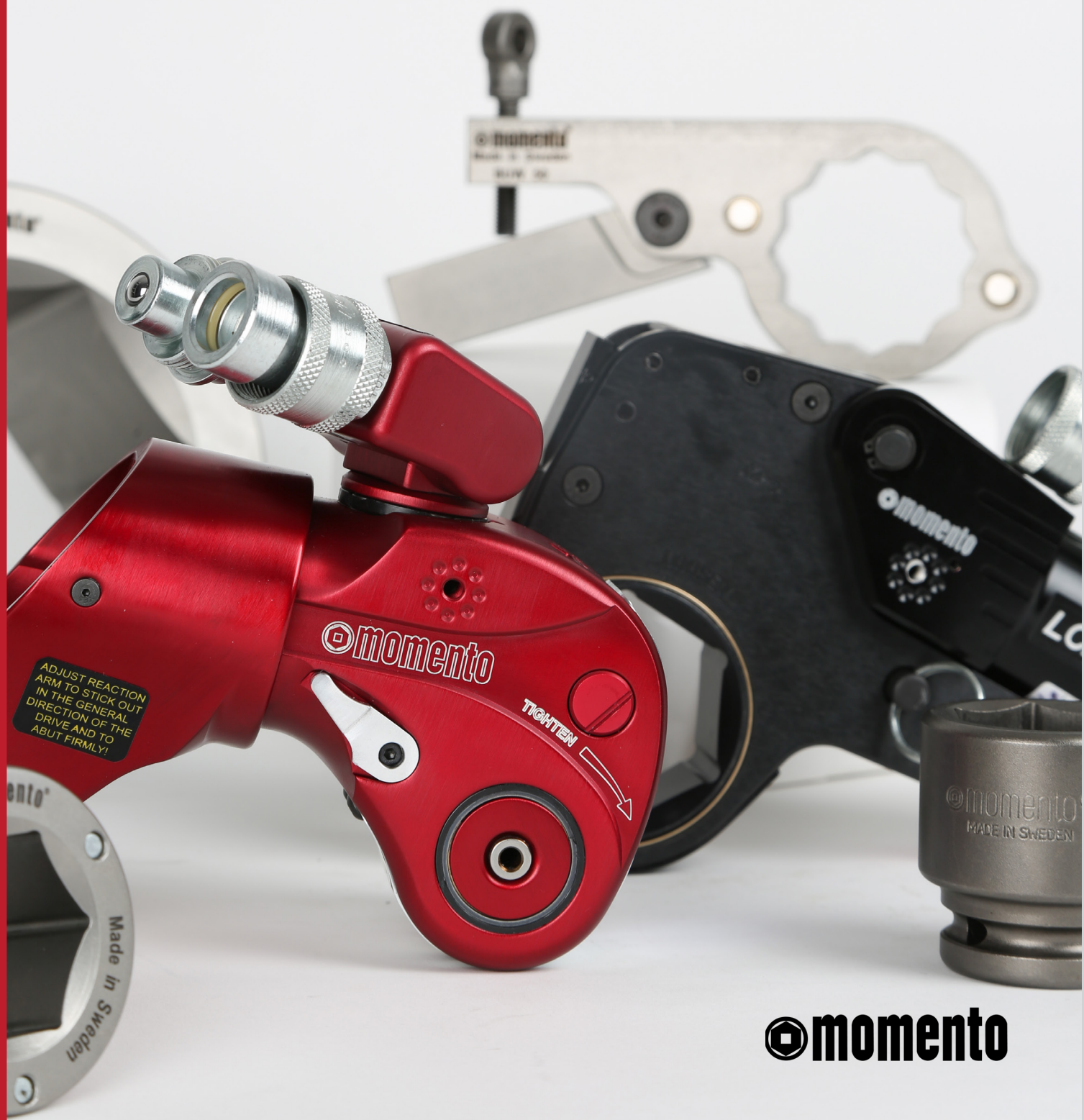


HYDRAULIC BOLTING TOOLS AND ACCESSORIES



 **momento**

MOMENTO BOLTING TOOLS

Momento has produced impact sockets since 1951. We know what is required when working with bolts. Our program of hydraulic torque tools is put together through many years of experience.

We offer two alternative series with slightly different features so you as a user will find the tool that suits your application best. In our catalog you will find everything you need to do a safe and accurate job when you need to tighten bolts with the right torque.

CONTENT

SDM - Square drive torque wrench	4-5
SDE - Square drive torque wrench.....	6-7
LCX - Low profile torque wrench	8-9
LCV - Low profile torque wrench	10-11
LCX and LCV - Ratchet links,	12-13
PUMPS / POWER PACKS	14-15
HOSES & COUPLINGS	16
OIL & GUAGE	16
IMPACT SOCKETS	17
REDUCING INSERTS.....	18-19
SAFETY NUT	20
BACK UP WRENCH.....	21
NUT SPLITTER.....	22
HYDRAULIC SPREADER.....	22
PUMP - HAND OPERATED	23
MECHANICAL FLANGE SPREADER.....	23



SDM - SQUARE DRIVE TORQUE WRENCH

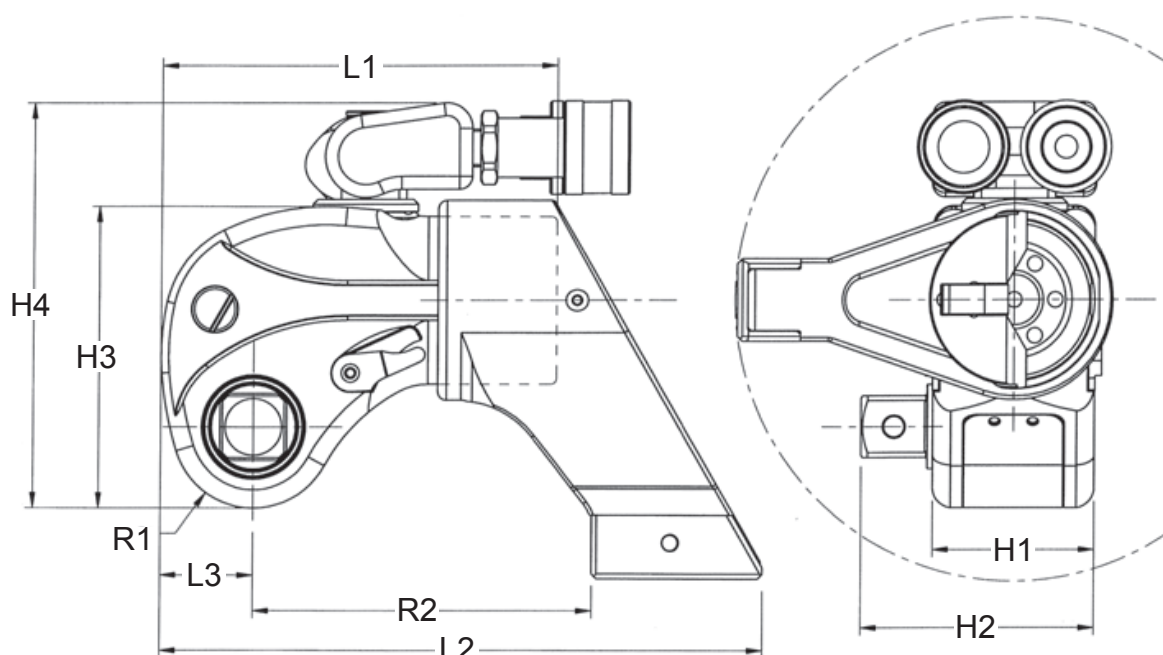
- The SDM-model is one of our “Premium Line” tools. With our accessories it can be used in many different applications.
- Compact and ergonomic design with a capacity of up to 50,000 Nm.
- Thanks to the square drive you can easily change impact sockets and get a very flexible tool that can tighten and loosen screws in almost any dimension.
- The square drive can be replaced by a hexagon/allen drive to further increase the tool’s use.
- Swivel, 360x180 degrees for better accessibility.



Part No	Square drive (inch)	Min. torque (Nm)	Max. torque (Nm)	Weight (kg)
SDM-0,7	3/4	167	1114	1,2
SDM-1	3/4	273	1817	1,8
SDM-3	1	567	4379	3,8
SDM-5	1 1/2	1137	7578	6,5
SDM-10	1 1/2	2343	15 617	11,3
SDM-15	2 1/2	3540	21 600	16,4
SDM-20	2 1/2	4018	26 787	19,7
SDM-35	2 1/2	7544	50 293	36,2



Part No	L1	L2	L3	H1	H2	H3	H4	R1	R2
SDM-0,7	101	152	24	41	64	76	108	21	84
SDM-1	124	186	29	50	72	93	125	25	105
SDM-3	161	244	38	70	97	124	155	33	135
SDM-5	193	293	46	80	125	149	183	40	163
SDM-10	242	365	57	100	143	186	224	50	202
SDM-15	268	388	64	111	178	205	246	55	219
SDM-20	290	439	69	120	180	223	260	60	243
SDM-35	356	539	85	148	211	247	314	74	298





**IMPACT SOCKETS
PAGE 17**

SDM ACCESSORIES

With our accessories you increase the flexibility of the tool.
We have different reaction arms and drive units so you can find one that fits.



A/F hex (mm)	SDM-.7	SDM-1	SDM-3	SDM-5	Part No Long reaction arm	Length (mm)	Part No Short reaction arm steel
14	SDM.7-HX14	SDM1-HX14	SDM3-HX14	SDM5-HX14	SDM-0,7-ALC	535	SDM-0,7-SSLV
17	SDM.7-HX17	SDM1-HX17	SDM3-HX17	SDM5-HX17	SDM-1-ALC	535	SDM-1-SSLV
19	SDM.7-HX19	SDM1-HX19	SDM3-HX19	SDM5-HX19	SDM-3-ALC	535	SDM-3-SSLV
22	SDM.7-HX22	SDM1-HX22	SDM3-HX22	SDM5-HX22	SDM-5-ALC	535	SDM-5-SSLV
24	SDM.7-HX24	SDM1-HX24	SDM3-HX24	SDM5-HX24	SDM-8-ALC*	535	SDM-8-SSLV
27	SDM.7-HX27	SDM1-HX27	SDM3-HX27	SDM5-HX27	SDM-10-ALC	535	SDM-10-SSLV
30	SDM.7-HX30	SDM1-HX30	SDM3-HX30	SDM5-HX30	SDM-15-ALC	535	SDM-15-SSLV
32	SDM.7-HX32	SDM1-HX32	SDM3-HX32	SDM5-HX32	SDM-20-ALC	535	SDM-20-SSLV
36	SDM.7-HX36	-	SDM3-HX36	SDM5-HX36	SDM-25-ALC	535	SDM-25-SSLV
41	-	-	SDM3-HX41	SDM5-HX41	SDM-35-ALC	<i>On request</i>	SDM-35-SSLV
46	-	-	SDM3-HX46	SDM5-HX46			
50	-	-	-	SDM5-HX50			
55	-	-	-	SDM5-HX55			
60	-	-	-	SDM5-HX60			

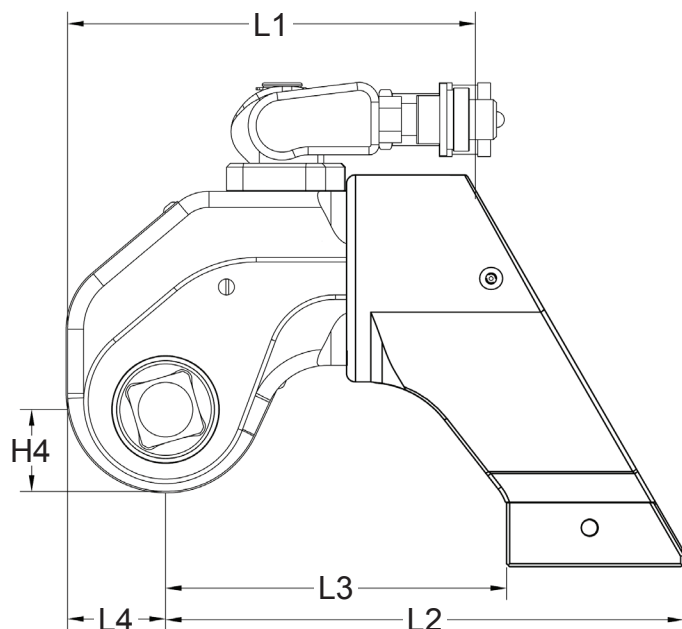
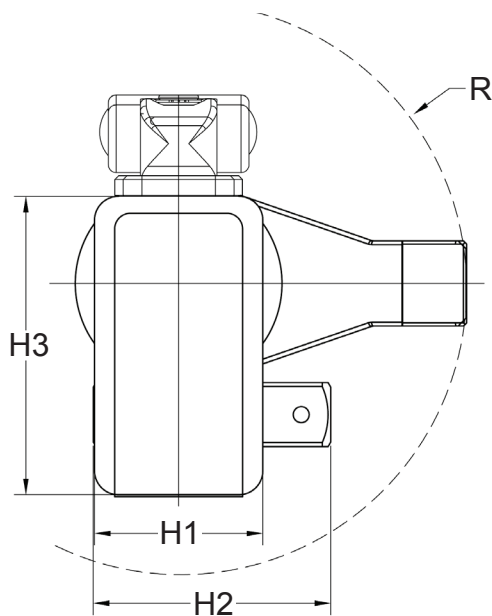
SDE - SQUARE DRIVE TORQUE WRENCH

- The SDE-tools are suitable in numerous applications where the advantages of hydraulics suit very well. High force in a limited space.
- The square drive can be pushed through the tool to change direction, Clockwise – counter clockwise.
- Swivel, 360x180 degrees for better accessibility.
- Ideal for maintenance work, with capacity up to 40,000 Nm.
- Compact and ergonomic design.
- Thanks to the square drive you can easily change impact sockets and get a very flexible tool that can tighten screws in almost any dimension.



Part No	Square drive (inch)	Min. torque (Nm)	Max. torque (Nm)	Weight (kg)
SDE-5	3/4	160	1110	1,5
SDE-2	3/4	240	1687	1,8
SDE-4	1	598	4158	3,9
SDE-6	1 1/2	1193	8311	8,7
SDE-8	1 1/2	1660	11 549	9,1
SDE-12	1 1/2	2227	14 850	11,4
SDE-30	2 1/2	6004	40 027	29,4

Part No	L1	L2	L3	L4	H1	H2	H3	H4	R
SDE-0,5	102	128	84	25	42	65	75	25	70
SDE-2	126	158	105	30	50	70	90	25	86
SDE-4	163	207	136	40	67	94	120	133	116
SDE-6	193	247	162	46	81	126	153	46	137
SDE-8	220	291	194	54	91	131	167	47	154
SDE-12	243	308	203	59	100	141	180	50	154
SDE-30	348	435	292	85	143	209	256	71	227

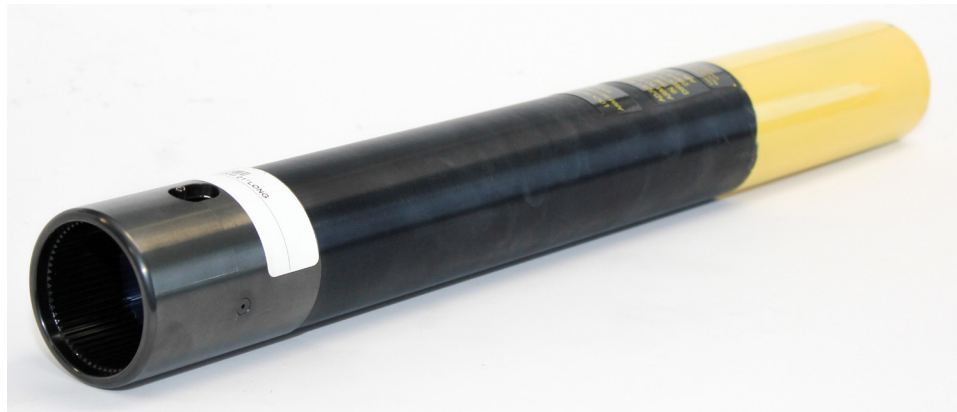




SDE ACCESSORIES

With our accessories you increase the flexibility of the tool.

Part No Long reaction arm	Length (mm)
SDE-.5-ALC	<i>On request</i>
SDE-2-ALC	535
SDE-4-ALC	535
SDE-6-ALC	<i>On request</i>
SDE-8-ALC	535
SDE-12-ALC	<i>On request</i>
SDE-30-ALC	<i>On request</i>



Part No Short reaction arm steel
SDE-.5-SSLV
SDE-2-SSLV
SDE-4-SSLV
SDE-6-SSLV
SDE-8-SSLV
SDE-12-SSLV
SDE-30-SSLV

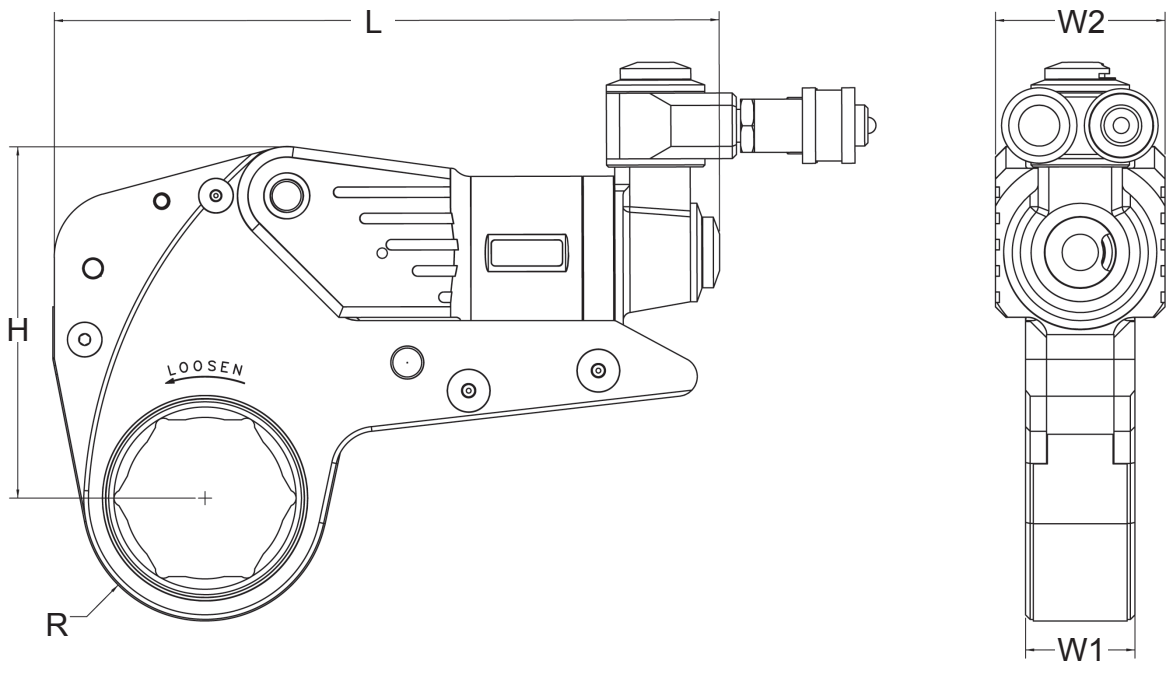


LCX - LOW PROFILE TORQUE WRENCH

- Yet another tool in our "Premium Line". These tools have a low profile which improves accessibility in confined spaces.
- LCX-tool consists of two parts:
The drive unit / Powerhead
The ratchet link
- The drive unit can be used together with several sizes of ratchet links.
- Swivel, 360x360 degrees for better accessibility.
- Six models up to 42,000 Nm.



Part No	Length (L)	Height (H)	Tool width (W1)	Tool width (W2)	Radius (R)	Min. torque (Nm)	Max. torque (Nm)	Weight without link (kg)
LCX-2	186	102	32	49	26-50	329	2287	0,9
LCX-4	256	136	43	66	33-68	786	5226	1,9
LCX-8	307	170	53	82	45-74	1549	11 049	3,3
LCX-14	360	204	64	92	67-88	2725	18 165	5,1
LCX-18	366	231	72	111	66-107	3628	24 191	6,8
LCX-30	427	272	85	131	77-120	6207	42 005	10,8



BUILT FOR DAILY USE IN HEAVY INDUSTRY

You can use one ratchet link to several different hexagon sizes by using a reducing insert.



**REDUCING
INSERTS
PAGE 18-19**

LCX ACCESSORIES

With our accessories you increase the tool's flexibility and extend its use. We have different reaction arms and several sizes of the ratchet links (page 12-13).

Part No Reaction pad	Part No Long reaction arm	Length (mm)
LCX-02-14	LCX2-ALC	380
LCX-04-14	LCX4-ALC	458
LCX-08-14	LCX8-ALC	458
LCX-14-14	LCX14-ALC	535
LCX-18-14	LCX18-ALC	535
LCX-30-14	LCX30-ALC	535



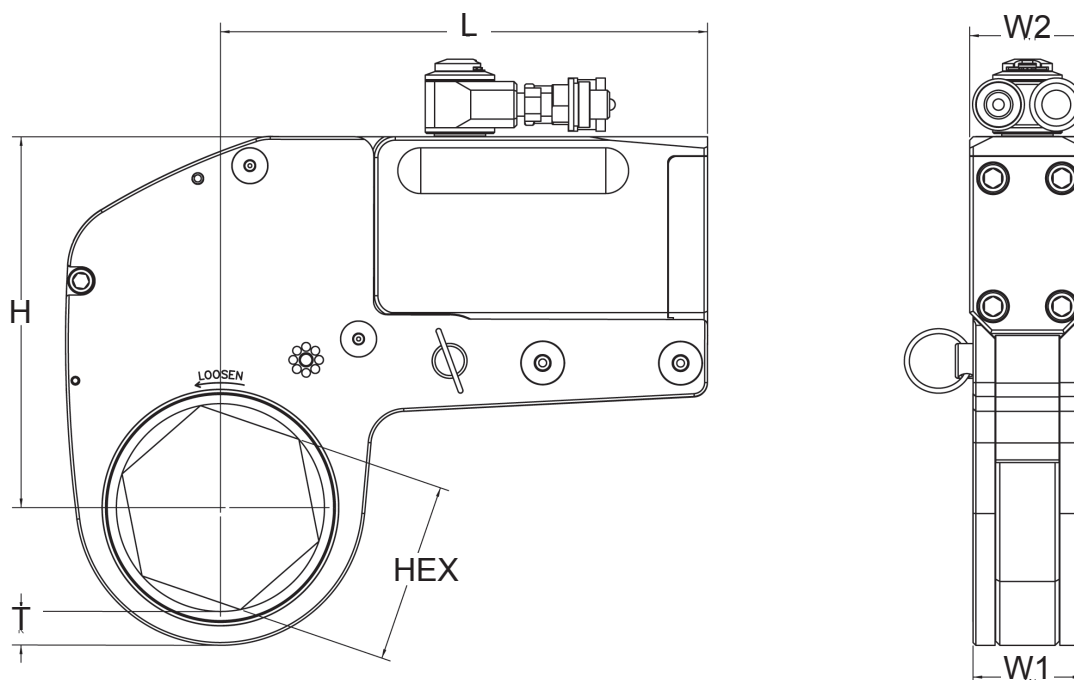
LCV - LOW PROFILE TORQUE WRENCH

- LCV has a low profile which improves accessibility in confined spaces.
- LCV-tool consists of two parts:
The drive unit / Powerhead
The ratchet link
- The drive unit can be used together with several sizes of ratchet links.
- Ratchet links with extra small radius are available as "special".
- Seven models up to 50,000 Nm.

**LOW PROFILE
& FLEXIBLE**



Part No	Length (L)	Height (H)	Width (W1)	Width (W2)	Thickness (T)	Min. torque (Nm)	Max. torque (Nm)	Weight without link (kg)
LCV-1	107	87	24	27	8	190	1360	1,4
LCV-2	135	95	29	32	10	354	2603	1,5
LCV-4	180	140	38	42	13	887	6104	3,3
LCV-8	218	166	48	53	18	1830	12 200	5,4
LCV-14	267	204	60	64	19	2975	20 352	8,8
LCV-20	278	225	73	76	23	4345	29 979	11,4
LCV-30	353	278	73	95	25	7310	49 900	22



ROBUST AND DURABLE TOOL

The tools are designed to handle tough demands from all kind of industries. You can use one ratchet link to several different hexagon sizes by using a reducing insert. The tool has a hose connection with 360 degrees swivel.



LCV ACCESSORIES

With our accessories you increase the tool's flexibility and extend its use. We have different reaction arms and several sizes of the ratchet links (page 12-13).

Part No Long reaction arm	Length (mm)	Part No Reaction pad
LCV1-ALC	380	LCV-01-14
LCV2-ALC	380	LCV-02-14
LCV4-ALC	458	LCV-04-14
LCV8-ALC	458	LCV-08-14
LCV14-ALC	525	LCV-14-14
LCV20-ALC	<i>On request</i>	LCV-20-14
LCV30-ALC	<i>On request</i>	LCV-30-14



LCX - RATCHET LINKS



A/F (mm)	LCX2	LCX4	LCX8	LCX14	LCX18	LCX30
24	-	-	-	-	-	-
27	LCX2-27MM	-	-	-	-	-
30	LCX2-30MM	-	-	-	-	-
32	LCX2-32MM	-	-	-	-	-
36	LCX2-36MM	LCX4-36MM	-	-	-	-
41	LCX2-41MM	LCX4-41MM	-	-	-	-
46	LCX2-46MM	LCX4-46MM	-	-	-	-
50	LCX2-50MM	LCX4-50MM	LCX8-50MM	-	-	-
55	LCX2-55MM	LCX4-55MM	LCX8-55MM	-	-	-
60	LCX2-60MM	LCX4-60MM	LCX8-60MM	-	-	-
65	-	LCX4-65MM	LCX8-65MM	-	-	-
70	-	LCX4-70MM	LCX8-70MM	LCX14-70MM	-	-
75	-	LCX4-75MM	LCX8-75MM	LCX14-75MM	LCX18-75MM	-
80	-	LCX4-80MM	LCX8-80MM	LCX14-80MM	LCX18-80MM	-
85	-	-	LCX8-85MM	LCX14-85MM	-	-
90	-	-	LCX8-90MM	LCX14-90MM	LCX18-90MM	LCX30-90MM
95	-	-	LCX8-95MM	LCX14-95MM	-	-
100	-	-	LCX8-100MM	LCX14-100MM	LCX18-100MM	LCX30-100MM
105	-	-	-	-	-	-
110	-	-	-	LCX14-110MM	LCX18-110MM	LCX30-110MM
115	-	-	-	LCX14-115MM	-	-
120	-	-	-	LCX14-120MM	LCX18-120MM	LCX30-120MM
125	-	-	-	-	-	-
130	-	-	-	-	LCX18-130MM	LCX30-130MM
135	-	-	-	-	LCX18-135MM	LCX30-135MM
140	-	-	-	-	-	-
145	-	-	-	-	-	LCX30-145MM
150	-	-	-	-	-	-
155	-	-	-	-	-	LCX30-155MM
160	-	-	-	-	-	-
165	-	-	-	-	-	LCX30-165MM

A/F (inch)	LCX2	LCX4	LCX8	LCX14	LCX18	LCX30
1	-	-	-	-	-	-
1 1/8	LCX2 1 1/8	-	-	-	-	-
1 3/16	LCX2 1 3/16	-	-	-	-	-
1 1/4	LCX2 1 1/4	-	-	-	-	-
1 7/16	LCX2 1 7/16	LCX4 1 7/16	-	-	-	-
1 5/8	LCX2 1 5/8	LCX4 1 5/8	-	-	-	-
1 13/16	LCX2 1 13/16	LCX4 1 13/16	-	-	-	-
2	LCX2 2	LCX4 2	LCX8 2	-	-	-
2 3/16	LCX2 2 3/16	LCX4 2 3/16	LCX8 2 3/16	-	-	-
2 3/8	LCX2 2 3/8	LCX4 2 3/8	LCX8 2 3/8	-	-	-
2 9/16	-	LCX4 2 9/16	LCX8 2 9/16	-	-	-
2 3/4	-	LCX4 2 3/4	LCX8 2 3/4	LCX14 2 3/4	-	-
2 15/16	-	LCX4 2 15/16	LCX8 2 15/16	LCX14 2 15/16	LCX18 2 15/16	-
3 1/8	-	LCX4 3 1/8	LCX8 3 1/8	LCX14 3 1/8	LCX18 3 1/8	-
3 3/8	-	-	LCX8 3 3/8	LCX14 3 3/8	LCX18 3 3/8	-
3 1/2	-	-	LCX8 3 1/2	LCX14 3 1/2	LCX18 3 1/2	LCX30 3 1/2
3 3/4	-	-	LCX8 3 3/4	LCX14 3 3/4	LCX18 3 3/4	-
3 7/8	-	-	LCX8 3 7/8	LCX14 3 7/8	LCX18 3 7/8	LCX30 3 7/8
4 1/8	-	-	-	LCX14 4 1/8	LCX18 4 1/8	-
4 1/4	-	-	-	LCX14 4 1/4	LCX18 4 1/4	LCX30 4 1/4
4 5/8	-	-	-	LCX14 4 5/8	LCX18 4 5/8	LCX30 4 5/8
5	-	-	-	-	LCX18 5	LCX30 5
5 3/8	-	-	-	-	LCX18 5 3/8	LCX30 5 3/8
5 3/4	-	-	-	-	-	LCX30 5 3/4
6 1/8	-	-	-	-	-	LCX30 6 1/8
6 1/2	-	-	-	-	-	LCX30 6 1/2

LCV - RATCHET LINKS



A/F (mm)	LCV1	LCV2	LCV4	LCV8	LCV14	LCV20	LCV30
24	LCV1-24MM	LCV2-24MM	-	-	-	-	-
27	LCV1-27MM	LCV2-27MM	-	-	-	-	-
30	LCV1-30MM	LCV2-30MM	-	-	-	-	-
32	LCV1-32MM	LCV2-32MM	-	-	-	-	-
36	LCV1-36MM	LCV2-36MM	LCV4-36MM	-	-	-	-
41	LCV1-41MM	LCV2-41MM	LCV4-41MM	-	-	-	-
46	LCV1-46MM	LCV2-46MM	LCV4-46MM	-	-	-	-
50	-	LCV2-50MM	LCV4-50MM	LCV8-50MM	-	-	-
55	-	LCV2-55MM	LCV4-55MM	LCV8-55MM	-	-	-
60	-	LCV2-60MM	LCV4-60MM	LCV8-60MM	-	-	-
65	-	-	LCV4-65MM	LCV8-65MM	-	-	-
70	-	-	LCV4-70MM	LCV8-70MM	LCV14-70MM	LCV20-70MM	-
75	-	-	LCV4-75MM	LCV8-75MM	LCV14-75MM	LCV20-75MM	-
80	-	-	LCV4-80MM	LCV8-80MM	LCV14-80MM	LCV20-80MM	-
85	-	-	LCV4-85MM	LCV8-85MM	LCV14-85MM	LCV20-85MM	LCV30-85MM
90	-	-	-	LCV8-90MM	LCV14-90MM	LCV20-90MM	LCV30-90MM
95	-	-	-	LCV8-95MM	LCV14-95MM	LCV20-95MM	LCV30-95MM
100	-	-	-	LCV8-100MM	LCV14-100MM	LCV20-100MM	LCV30-100MM
105	-	-	-	-	-	LCV20-105MM	LCV30-105MM
110	-	-	-	-	LCV14-110MM	LCV20-110MM	LCV30-110MM
115	-	-	-	-	LCV14-115MM	LCV20-115MM	LCV30-115MM
120	-	-	-	-	LCV14-120MM	LCV20-120MM	LCV30-120MM
125	-	-	-	-	-	LCV20-125MM	LCV30-125MM
130	-	-	-	-	-	LCV20-130MM	LCV30-130MM
135	-	-	-	-	-	-	LCV30-135MM
140	-	-	-	-	-	-	LCV30-140MM
145	-	-	-	-	-	-	LCV30-145MM
150	-	-	-	-	-	-	LCV30-150MM
155	-	-	-	-	-	-	LCV30-155MM
160	-	-	-	-	-	-	LCV30-160MM
165	-	-	-	-	-	-	LCV30-165MM

A/F (inch)	LCV1	LCV2	LCV4	LCV8	LCV14	LCV20	LCV30
1	LCV1-1	LCV2-1	-	-	-	-	-
1 1/8	LCV1-1 1/8	LCV2-1 1/8	-	-	-	-	-
1 3/16	LCV1-1 3/16	LCV2-1 3/16	-	-	-	-	-
1 1/4	LCV1-1 1/4	LCV2-1 1/4	-	-	-	-	-
1 7/16	LCV1-1 7/16	LCV2-1 7/16	LCV4-1 7/16	-	-	-	-
1 5/8	LCV1-1 5/8	LCV2-1 5/8	LCV4-1 5/8	-	-	-	-
1 13/16	LCV1-1 13/16	LCV2-1 13/16	LCV4-1 13/16	-	-	-	-
2	LCV1-2	LCV2-2	LCV4-2	LCV8-2	-	-	-
2 3/16	LCV1-2 3/16	LCV2-2 3/16	LCV4-2 3/16	LCV8-2 3/16	-	-	-
2 3/8	-	LCV2-2 3/8	LCV4-2 3/8	LCV8-2 3/8	-	-	-
2 9/16	-	-	LCV4-2 9/16	LCV8-2 9/16	-	-	-
2 3/4	-	-	LCV4-2 3/4	LCV8-2 3/4	LCV14-2 3/4	-	-
2 15/16	-	-	LCV4-2 15/16	LCV8-2 15/16	LCV14-2 15/16	-	-
3 1/8	-	-	LCV4-3 1/8	LCV8-3 1/8	LCV14-3 1/8	LCV20-3 1/8	-
3 3/8	-	-	-	LCV8-3 3/8	LCV14-3 3/8	LCV20-3 3/8	-
3 1/2	-	-	-	LCV8-3 1/2	LCV14-3 1/2	LCV20-3 1/2	LCV30-3 1/2
3 3/4	-	-	-	LCV8-3 3/4	LCV14-3 3/4	LCV20-3 3/4	LCV30-3 3/4
3 7/8	-	-	-	LCV8-3 7/8	LCV14-3 7/8	LCV20-3 7/8	LCV30-3 7/8
4 1/8	-	-	-	-	LCV14-4 1/8	LCV20-4 1/8	LCV30-4 1/8
4 1/4	-	-	-	-	LCV14-4 1/4	LCV20-4 1/4	LCV30-4 1/4
4 5/8	-	-	-	-	LCV14-4 5/8	LCV20-4 5/8	LCV30-4 5/8
5	-	-	-	-	-	LCV20-5	LCV30-5
5 3/8	-	-	-	-	-	LCV20-5 3/8	LCV30-5 3/8
5 3/4	-	-	-	-	-	-	LCV30-5 3/4
6 1/8	-	-	-	-	-	-	LCV30-6 1/8
6 1/2	-	-	-	-	-	-	-

PUMPS/POWER PACKS

We offer two different sizes of electrical driven pumps and one model driven by compressed air. The pumps can be used with all torque tools in this catalogue. All pumps are delivered with oil, a twin hose (4,5 m), couplings for one tool and and a remote control with 4 m power cord.

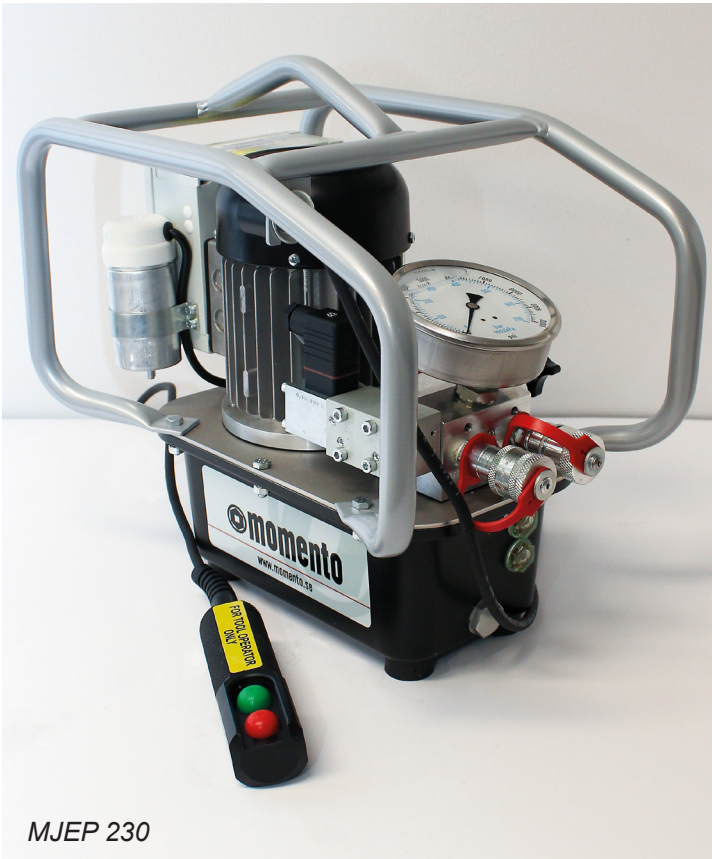
With an adjustable regulator the pressure is set to requested level. MEP 230 is equipped with oil cooler to control the temperature when tightening big amount of bolts.

Pump	Max pressure	Electric motor	Pneum. pressure	Air consumption	Dimensions: (L - W - H)	Weight incl. oil	Oil volume
MEP 230	70 MPa/700 bar (≈10 000 psi)	230 V, 1,2 kW 7A, 50-60 Hz	-	-	42 - 26 - 40 cm	26 kg	2,6 l
MJEP 230	70 MPa/700 bar (≈10 000 psi)	230 V, 1,2 kW 7A, 50-60 Hz	-	-	36 - 26 - 35 cm	16 kg	1,4 l
MPP-AIR	70 MPa/700 bar (≈10 000 psi)	-	min: 5,5 bar max: 10 bar	60 l/s	40 - 26 - 40 cm	23 kg	2,6 l

Pump	Oil	Oil flow at 70 bar	Oil flow at 300 bar	Oil flow at 700 bar
MEP 230	Hydraulic oil grade: ISO VG 32-46	8,0 l/min	1,6 l/min	0,9 l/min
MJEP 230	Hydraulic oil grade: ISO VG 32-46	4,2 l/min	-	0,4 l/min
MPP-AIR	Hydraulic oil grade: ISO VG 32-46	12,5 l/min	2,2 l/min	1,1 l/min



MPP-AIR, MEP 230, MJEP 230.



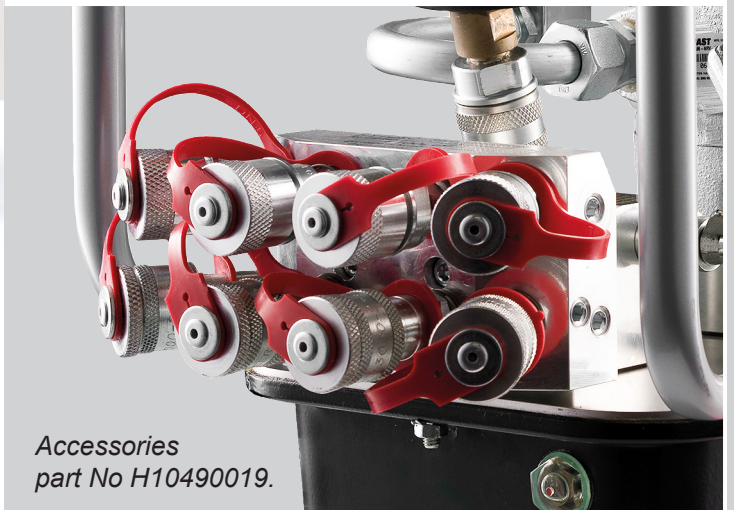
MJEP 230



MPP-AIR

The electric pumps are equipped with an electric remote control. MEP 230 electric pumps are equipped with an oil cooler. All models have a protective frame in steel and a large pressure gauge where the hydraulic pressure can be read.

As an option, the pump can be equipped with a block with outputs for driving up to 4 tools (H10490019). Another option is a larger tank, 7.5 L (conversion kit 2)



Accessories
part No H10490019.

HOSES AND COUPLINGS

Momentos hydraulic pumps come with a twin hose (4,5 m) and couplings – ready to use with one tool. Hoses are available in lengths of 4,5 m and 9 m, complete with couplings. Other lengths are available on request. We recommend that hoses used frequently should be replaced with 2-years interval. Couplings can be purchased separately.



HOSE

Part No	Length
MTH-4500C	4,5 m
MTH-9000C	9 m

COUPLINGS

Part No	Model	Thread, outside
090155-1/4	Male	1/4" NPT
090156	Female	1/4" NPT
090155-1/8	Male	1/8" NPT
090156-1	Female	1/8" NPT

Hoses delivered filled with oil - ready to use.

OIL AND GAUGE

Oil is included in all pumps. To ensure good performance it should be replaced regularly, at least once a year. *Oil, 4 litres - part No. MH10000.*

If the gauge gets damaged it has to be replaced and the equipment shall be calibrated to ensure right torque from the tool.

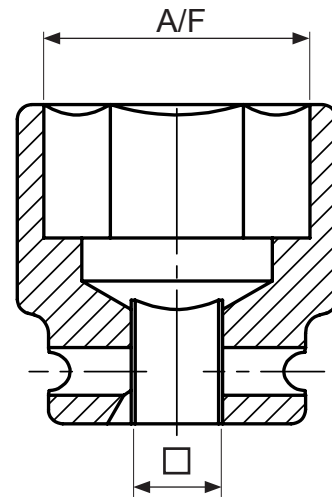
Oil for low temperatures is offered on request.



IMPACT SOCKETS

Here we present the most common models of impact sockets. Impact sockets shall always be used in driven tools. All use of "non impact sockets" in hydraulic tools can cause severe injuries.

In our product catalog you can find all our impact sockets. You can find the catalog and more information at our website, www.momento.se



□ = Square drive

A/F (mm)	Part No square drive 3/4"	Part No square drive 1"	Part No square drive 1 1/2"	Part No square drive 2 1/2"
30	2-30=1 3/16	9-30= 1 3/16	5-30= 1 3/16	-
32	2-32	9-32	5-32	-
36	2-36	9-36	5-36	-
41	2-41	9-41	5-41	-
46	2-46=1 13/16	9-46=1 13/16	5-46=1 13/16	-
50	2-50	9-50	5-50	6-50
55	2-55	9-55	5-55	6-55
60	2-60	9-60	5-60	6-60
65	2-65=2 9/16	9-65=2 9/16	5-65=2 9/16	6-65=2 9/16
70	2-70=2 3/4	9-70=2 3/4	5-70=2 3/4	6-70=2 3/4
75	2-75	9-75	5-75	6-75
80	2-80	9-80	5-80	6-80
85	2-85	9-85	5-85	6-85
90	2-90	9-90	5-90	6-90
95	2-95=3 3/4	9-95=3 3/4	5-95=3 3/4	6-95=3 3/4
100	-	9-100	5-100	6-100
105	-	9-105	5-105	6-105
110	-	9-110	5-110	6-110
115	-	9-115	5-115	6-115

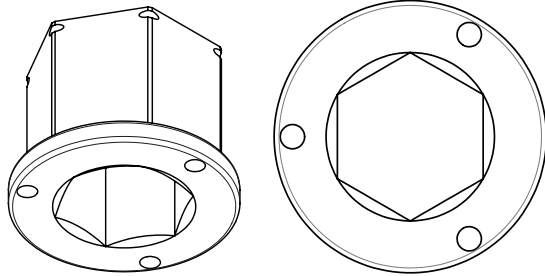


A/F (inch)	Part No square drive 3/4"	Part No square drive 1"	Part No square drive 1 1/2"	Part No square drive 2 1/2"
1 3/16	2-30=1 3/16	9-30= 1 3/16	5-30= 1 3/16	-
1 1/4	2-1 1/4	9-1 1/4	5-1 1/4	-
1 7/16	2-1 7/16	9-1 7/16	5-1 7/16	-
1 5/8	2-1 5/8	9-1 5/8	5-1 5/8	-
1 13/16	2-46=1 13/16	9-46=1 13/16	5-46=1 13/16	-
2	2-2	9-2	5-2	6-2
2 3/16	2-2 3/16	9-2 3/16	5-2 3/16	6-2 3/16
2 3/8	2-2 3/8	9-2 3/8	5-2 3/8	6-2 3/8
2 9/16	2-65=2 9/16	9-65=2 9/16	5-65=2 9/16	6-65=2 9/16
2 3/4	2-70=2 3/4	9-70=2 3/4	5-70=2 3/4	6-70=2 3/4
2 15/16	-	9-2 15/16	5-2 15/16	6-2 15/16
3 1/8	-	9-3 1/8	5-3 1/8	6-3 1/8
3 3/8	-	9-3 3/8	5-3 3/8	6-3 3/8
3 1/2	-	9-3 1/2	5-3 1/2	6-3 1/2
3 3/4	2-95=3 3/4	9-95=3 3/4	5-95=3 3/4	6-95=3 3/4
4	-	9-4	5-4	6-4
4 1/8	-	9-105=4 1/8	5-105=4 1/8	6-105=4 1/8
4 3/8	-	-	5-4 3/8	6-4 3/8
4 1/2	-	-	5-4 1/2	6-4 1/2



REDUCING INSERTS (RI)

You can double the use of your tool by using Momento reducing inserts. One ratchet link can be used on several sizes of bolts. Our reducing inserts are available in different lengths - choose the one that suits your tools.

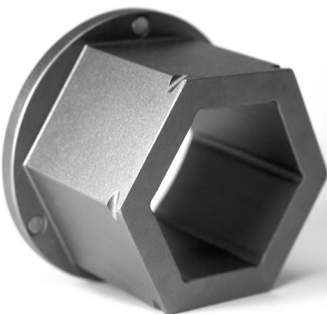
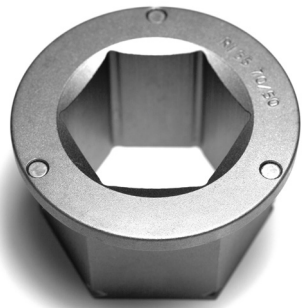
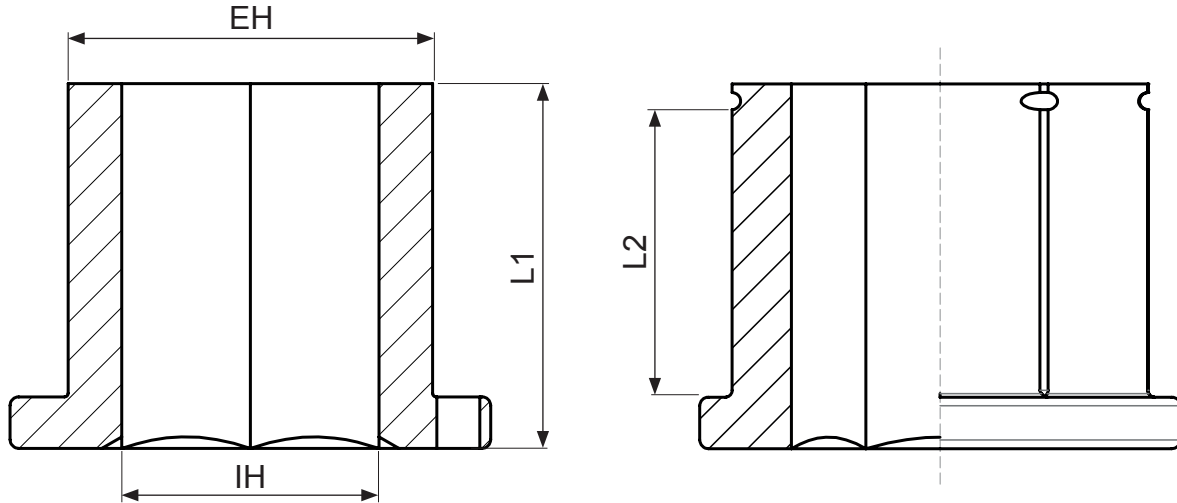


**UNIVERSAL
LOCKING WITH
MAGNETS**



EH (mm)	IH (mm)	Part No (mm)	L1 (mm)	L2 (mm)	Part No (mm)	L1 (mm)	L2 (mm)	Part No (mm)	L1 (mm)	L2 (mm)	Part No (mm)	EH (mm)	IH (mm)	L1 (mm)	L2 (mm)	
41	36	RI33-41/36	45	33	-	-	-	-	-	-	-	RI67-80/75	80	75	85	67
41	32	RI33-41/32	45	33	-	-	-	-	-	-	-	RI67-80/70	80	70	85	67
41	30	RI33-41/30	45	33	-	-	-	-	-	-	-	RI67-80/65	80	65	85	67
46	41	RI33-46/41	45	33	-	-	-	-	-	-	-	RI67-85/80	85	80	85	67
46	36	RI33-46/36	45	33	-	-	-	-	-	-	-	RI67-85/75	85	75	85	67
46	32	RI33-46/32	45	33	-	-	-	-	-	-	-	RI67-85/70	85	70	85	67
50	46	RI33-50/46	45	33	RI44-50/46	55	44	-	-	-	-	RI67-90/85	90	85	85	67
50	41	RI33-50/41	45	33	RI44-50/41	55	44	-	-	-	-	RI67-90/80	90	80	85	67
50	36	RI33-50/36	45	33	RI44-50/36	55	44	-	-	-	-	RI67-90/75	90	75	85	67
55	50	RI33-55/50	45	33	RI44-55/50	55	44	RI56-55/50	70	56	-	RI67-95/90	95	90	85	67
55	46	RI33-55/46	45	33	RI44-55/46	55	44	RI56-55/46	70	56	-	RI67-95/85	95	85	85	67
55	41	RI33-55/41	45	33	RI44-55/41	55	44	RI56-55/41	70	56	-	RI67-95/80	95	80	85	67
60	55	RI33-60/55	45	33	RI44-60/55	55	44	RI56-60/55	70	56	-	RI67-100/95	100	95	85	67
60	50	RI33-60/50	45	33	RI44-60/50	55	44	RI56-60/50	70	56	-	RI67-100/90	100	90	85	67
60	46	RI33-60/46	45	33	RI44-60/46	55	44	RI56-60/46	70	56	-	RI67-100/85	100	85	85	67
65	60	-	-	-	RI44-65/60	55	44	RI56-65/60	70	56	-	RI67-105/100	105	100	85	67
65	55	-	-	-	RI44-65/55	55	44	RI56-65/55	70	56	-	RI67-105/95	105	95	85	67
65	50	-	-	-	RI44-65/50	55	44	RI56-65/50	70	56	-	RI67-105/90	105	90	85	67
70	65	-	-	-	RI44-70/65	55	44	RI56-70/65	70	56	-	RI67-110/105	110	105	85	67
70	60	-	-	-	RI44-70/60	55	44	RI56-70/60	70	56	-	RI67-110/100	110	100	85	67
70	55	-	-	-	RI44-70/55	55	44	RI56-70/55	70	56	-	RI67-110/95	110	95	85	67
75	70	-	-	-	RI44-75/70	55	44	RI56-75/70	70	56	-	RI67-115/110	115	110	85	67
75	65	-	-	-	RI44-75/65	55	44	RI56-75/65	70	56	-	RI67-115/105	115	105	85	67
75	60	-	-	-	RI44-75/60	55	44	RI56-75/60	70	56	-	RI67-115/100	115	100	85	67
80	75	-	-	-	RI44-80/75	55	44	RI56-80/75	70	56	-	RI67-120/115	120	115	85	67
80	70	-	-	-	RI44-80/70	55	44	RI56-80/70	70	56	-	RI67-120/110	120	110	85	67
80	65	-	-	-	RI44-80/65	55	44	RI56-80/65	70	56	-	RI67-120/105	120	105	85	67
85	80	-	-	-	-	-	-	RI56-85/80	70	56	-	RI67-125/120	125	120	85	67
85	75	-	-	-	-	-	-	RI56-85/75	70	56	-	RI67-125/115	125	115	85	67
85	70	-	-	-	-	-	-	RI56-85/70	70	56	-	RI67-125/110	125	110	85	67
90	85	-	-	-	-	-	-	RI56-90/85	70	56	-	RI67-130/125	130	125	85	67
90	80	-	-	-	-	-	-	RI56-90/80	70	56	-	RI67-130/120	130	120	85	67
90	75	-	-	-	-	-	-	RI56-90/75	70	56	-	RI67-130/115	130	115	85	67
95	90	-	-	-	-	-	-	RI56-95/90	70	56	-	-	-	-	-	-
95	85	-	-	-	-	-	-	RI56-95/85	70	56	-	-	-	-	-	-
95	80	-	-	-	-	-	-	RI56-95/80	70	56	-	-	-	-	-	-
100	95	-	-	-	-	-	-	RI56-100/95	70	56	-	-	-	-	-	-
100	90	-	-	-	-	-	-	RI56-100/90	70	56	-	-	-	-	-	-
100	85	-	-	-	-	-	-	RI56-100/85	70	56	-	-	-	-	-	-

Other sizes or adapters from inches to metric and metric to inches on request.

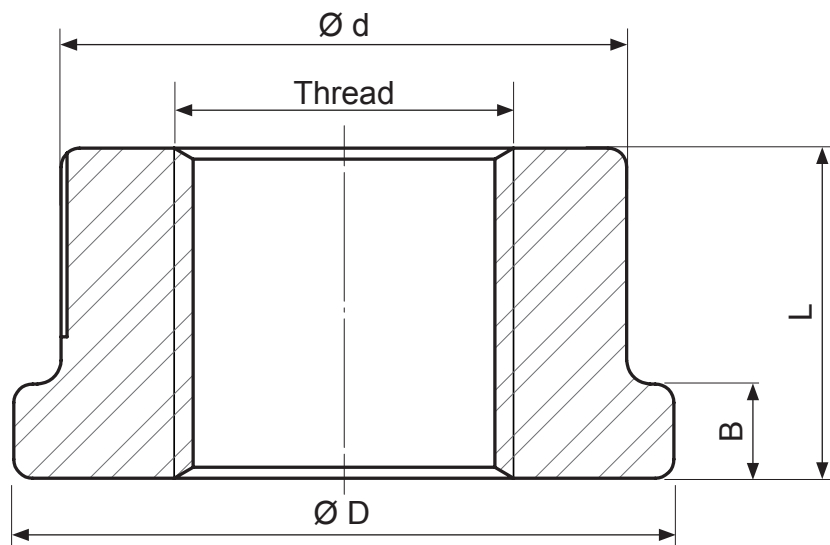
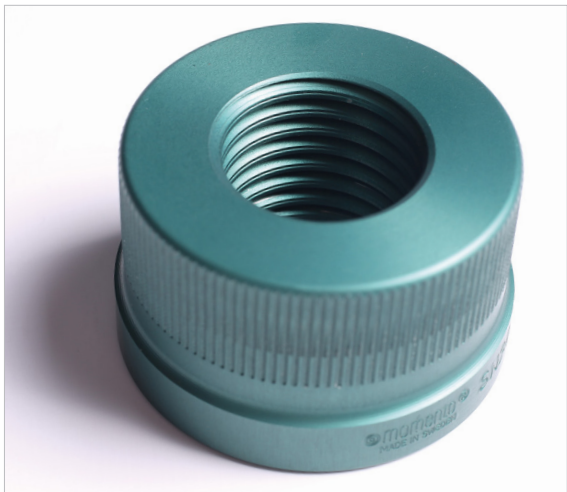


Part No (inch)	EH (inch)	IH (inch)	L1 (mm)	L2 (mm)	Part No (inch)	EH (inch)	IH (inch)	L1 (mm)	L2 (mm)
RI45 107/104F	1 7/16	1 1/4	45	33	RI55 113/110F	1 13/16	1 5/8	55	42
RI45 110/107F	1 5/8	1 7/16	45	33	RI55 200/113F	2	1 13/16	55	42
RI45 110/104F	1 5/8	1 1/4	45	33	RI55 200/110F	2	1 5/8	55	42
RI45 113/110F	1 13/16	1 5/8	45	33	RI55 203/200F	2 3/16	2	55	42
RI45 113/107F	1 13/16	1 7/16	45	33	RI55 203/113F	2 3/16	1 13/16	55	42
RI45 200/113F	2	1 13/16	45	33	RI55 206/203F	2 3/8	2 3/16	55	42
RI45 200/110F	2	1 5/8	45	33	RI55 206/200F	2 3/8	2	55	42
RI45 203/200F	2 3/16	2	45	33	RI55 209/206F	2 9/16	2 3/8	55	42
RI45 203/113F	2 3/16	1 13/16	45	33	RI55 209/203F	2 9/16	2 3/16	55	42
RI45 206/203F	2 3/8	2 3/16	45	33	RI55 212/209F	2 3/4	2 9/16	55	42
RI45 206/200F	2 3/8	2	45	33	RI55 212/206F	2 3/4	2 3/8	55	42
-	-	-	-	-	RI55 215/212F	2 15/16	2 3/4	55	42
-	-	-	-	-	RI55 215/209F	2 15/16	2 9/16	55	42
-	-	-	-	-	RI55 302/215F	3 1/8	2 15/16	55	42
-	-	-	-	-	RI55 302/212F	3 1/8	2 3/4	55	42

Part No (inch)	EH (inch)	IH (inch)	L1 (mm)	L2 (mm)	Part No (inch)	EH (inch)	IH (inch)	L1 (mm)	L2 (mm)
RI70 203/200F	2 3/16	2	70	55	RI85 302/215F	3 1/8	2 15/16	85	67
RI70 203/113F	2 3/16	1 13/16	70	55	RI85 302/212F	3 1/8	2 3/4	85	67
RI70 206/203F	2 3/8	2 3/16	70	55	RI85 306/302F	3 3/8	3 1/8	85	67
RI70 206/200F	2 3/8	2	70	55	RI85 306/300F	3 3/8	3	85	67
RI70 209/206F	2 9/16	2 3/8	70	55	RI85 308/302F	3 1/2	3 1/8	85	67
RI70 209/203F	2 9/16	2 3/16	70	55	RI85 308/300F	3 1/2	3	85	67
RI70 212/209F	2 3/4	2 9/16	70	55	RI85 312/308F	3 3/4	3 1/2	85	67
RI70 212/206F	2 3/4	2 3/8	70	55	RI85 312/306F	3 3/4	3 3/8	85	67
RI70 215/212F	2 15/16	2 3/4	70	55	RI85 314/308F	3 7/8	3 1/2	85	67
RI70 215/209F	2 15/16	2 9/16	70	55	RI85 314/306F	3 7/8	3 3/8	85	67
RI70 300/212F	3	2 3/4	70	55	RI85 402/314F	4 1/8	3 7/8	85	67
RI70 300/209F	3	2 9/16	70	55	RI85 402/312F	4 1/8	3 3/4	85	67
RI70 302/215F	3 1/8	2 15/16	70	55	RI85 404/314F	4 1/4	3 7/8	85	67
RI70 302/212F	3 1/8	2 3/4	70	55	RI85 404/312F	4 1/4	3 3/4	85	67
RI70 306/300F	3 3/8	3	70	55	RI85 410/404F	4 5/8	4 1/4	85	67
RI70 306/215F	3 3/8	2 15/16	70	55	RI85 410/402F	4 5/8	4 1/8	85	67
RI70 308/302F	3 1/2	3 1/8	70	55	RI85 500/410F	5	4 5/8	85	67
RI70 308/300F	3 1/2	3	70	55	RI85 500/404F	5	4 1/4	85	67
RI70 312/308F	3 3/4	3 1/2	70	55	RI85 410/314F	4 5/8	3 7/8	85	67
RI70 312/306F	3 3/4	3 3/8	70	55	RI85 410/312F	4 5/8	3 3/4	85	67
RI70 314/308F	3 7/8	3 1/2	70	55	-	-	-	-	-
RI70 314/306F	3 7/8	3 3/8	70	55	-	-	-	-	-

SAFETY NUT (SN)

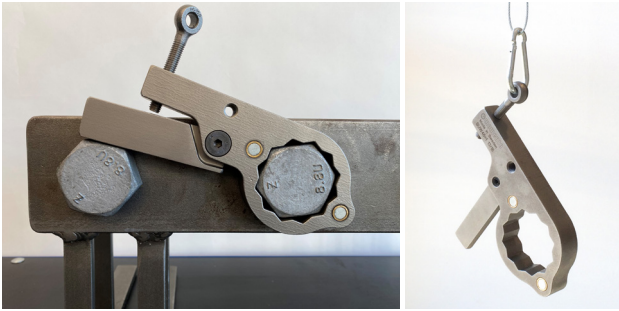
With Momento safety nut you can secure your ratchet link tool or secure your back up wrench. Our safety nuts are produced in aluminium and have low weight, good strength and a long life time.



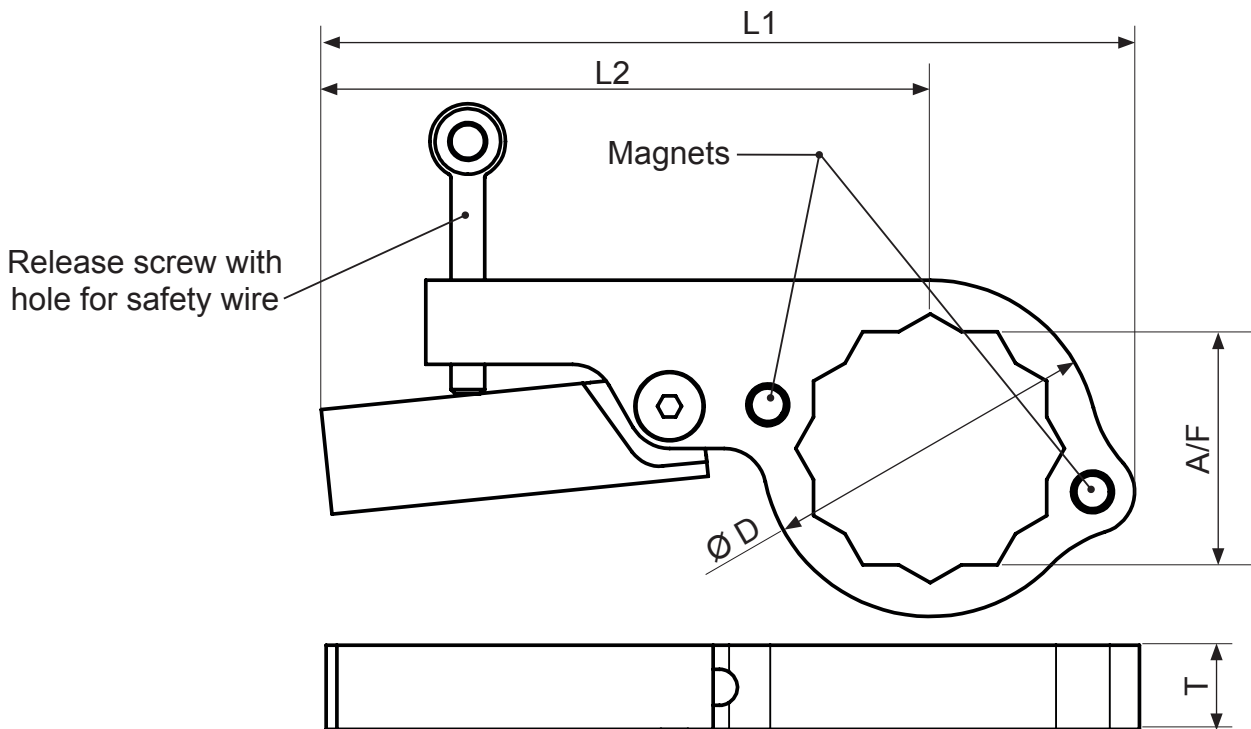
D (mm)	d (mm)	L (mm)	B (mm)	Part No (mm)	A/F (mm)	Thread (mm)	Part No (inch)	A/F (inch)	Thread (inch)
45	45	35	-	SN24	36	M 24	SN 7/8	1 7/16	7/8
52	45	35	10	SN27	41	M 27	SN1	1 5/8	1
58	55	35	10	SN30	46	M 30	SN1 1/8	1 13/16	1 1/8
63	55	35	10	SN33	50	M 33	SN1 1/4	2	1 1/4
70	60	40	15	SN36	55	M 36	SN 1 3/8	2 3/16	1 3/8
75	60	40	15	SN39	60	M 39	SN 1 1/2	2 3/8	1 1/2
82	65	40	15	SN42	65	M 42	SN 1 5/8	2 9/16	1 5/8
88	70	45	20	SN45	70	M 45	SN 1 3/4	2 3/4	1 3/4
95	70	45	20	SN48	75	M 48	SN 1 7/8	2 15/16	1 7/8
100	75	45	20	SN52	80	M 52	SN2	3 1/8	2
120	85	50	25	SN64	95	M 64	SN 2 1/2	3 3/4	2 1/2

BACK UP WRENCH (BUW)

BUW holds your thru bolt nuts in place in a both simple and ingenious way. It is provided with magnets that help to hold it in place. It can also be secured by a wire or similar.



SAFETY FIRST!



L1 (mm)	L2 (mm)	D (mm)	T (mm)	Weight (kg)	Part No (mm)	A/F (mm)	Part No (inch)	A/F (inch)
133	103	46	15	0,4	BUW 30 = 1 3/16	30	BUW 30 = 1 3/16	1 3/16
136	105	48	15	0,4	BUW 32	32	BUW 1 1/4	1 1/4
144	110	54	15	0,5	BUW 36	36	BUW 1 7/16	1 7/16
153	115	62	15	0,55	BUW 41	41	BUW 1 5/8	1 5/8
181	139	68	20	1,0	BUW 46 = 1 13/16	46	BUW 46 = 1 13/16	1 13/16
188	142	75	20	1,05	BUW 50	50	BUW 2	2
193	145	80	20	1,1	BUW 55	55	BUW 2 3/16	2 3/16
199	148	86	20	1,15	BUW 60	60	BUW 2 3/8	2 3/8
222	164	96	20	1,55	BUW 65 = 2 9/16	65	BUW 65 = 2 9/16	2 9/16
249	187	102	25	2,4	BUW 70 = 2 3/4	70	BUW 70 = 2 3/4	2 3/4
256	190	110	25	2,5	BUW 75	75	BUW 2 15/16	2 15/16
256	190	110	25	2,5			BUW 3	3
264	194	118	25	2,7	BUW 80	80	BUW 3 1/8	3 1/8
288	214	124	30	4	BUW 85	85	BUW 3 3/8	3 3/8
312	235	130	30	4,5	BUW 90	90	BUW 3 1/2	3 1/2
322	240	140	30	4,8	BUW 95 = 3 3/4	95	BUW 95 = 3 3/4	3 3/4
360	270	150	40	8,0	BUW 100	100	BUW 3 7/8	3 7/8
365	273	155	40	8,1	BUW 105 = 4 1/8	105	BUW 105 = 4 1/8	4 1/8
380	285	162	40	9,1	BUW 110	110	BUW 4 1/4	4 1/4
388	289	170	40	9,5	BUW 115	115		
395	292	177	40	9,9	BUW 120	120	BUW 4 5/8	4 5/8

NUT SPLITTER

An “easy tool to use” with a lot of power. You can break up nuts that can not be pulled free caused of corrosion or destroyed thread.



Part No	Nut range (mm)	Bolt range (mm)	Capacity (ton)	Oil capacity (cc)	A (mm)	B (mm)	C (mm)	D (mm)	E (mm)	F (mm)	Weight (kg)
HNS 1924	19-24	M12-M16	10	20	60	167	10	25	40	68	2,1
HNS 2432	24-32	M16-M22	15	60	70	178	13	30	52	76	3,1
HNS 3241	32-41	M22-M27	20	80	80	225	15	36	65	93	4,2
HNS 4150	41-50	M27-M33	35	155	95	244	21	45	76	106	8
HNS 5060	50-60	M33-M39	50	240	106	269	24	55	92	125	11,5

HYDRAULIC SPREADER

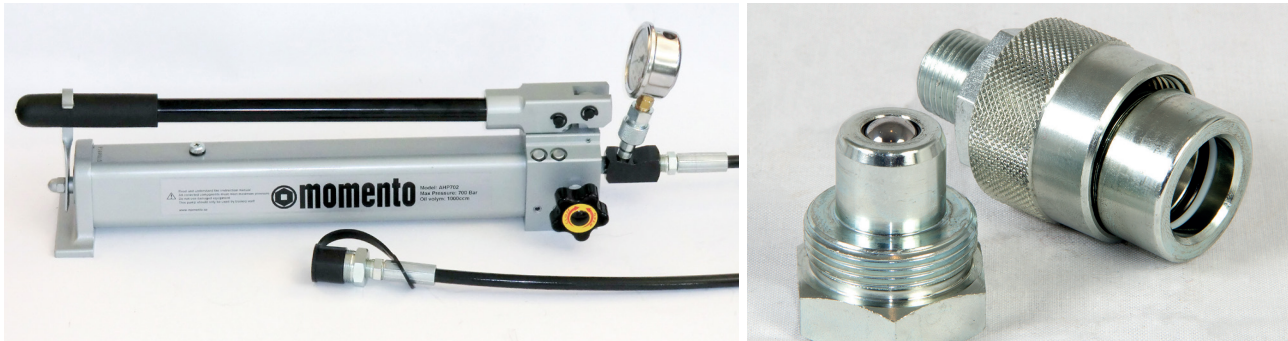
The shape of the edge combined with the hydraulic power make this to an extremely strong spreader wedge. 15 respective 25 ton capacity. Perfect tool when it comes to lifting or position heavy objects just a few millimetres. The smaller model is available with 2 different shapes of grooves on the wedge.



Part No	Capacity (ton)	A Spread Min mm	B Spread Max mm	C (mm)	D (mm)	E (mm)	F (mm)	G (mm)	H (mm)	I (mm)	J (mm)	Weight (kg)
SR 07	15	6	16	36	46	232	31	45	55	63	63	3,3
TL 07	15	6	16	36	46	232	31	45	55	63	63	3,3
SR 15	25	8	25	43	59	342	50	70	82	70	102	7,8

PUMP - HAND OPERATED

AHP 701 is designed for single acting tools and cylinders. The two-step function makes fast to pump up a cylinder or tool and easy to build up the high pressure (70 MPa/ 700 bar). AHP 701 can be used together with Momento nut splitter and hydraulic spreader.



Pump kit, AHP 701-SG

Max pressure: 70 MPa (700 bar)
Usable oil: 0,35 l
Length: 391 mm
Weight: 2,3 kg

Consists of:

Pump: AHP 701
Gauge adaptor
Pressure gauge
Hose 2 m, TE7200
Coupling, male TE604

MECHANICAL FLANGE SPREADER

A mechanical tool that facilitates the work of disassembling flanges. It needs a gap of only 2 mm to be able to spread apart the flanges. We recommend use of a pair (one at the top and one at the bottom).

**CAPACITY:
68 kN (6,8 ton)**

MFS 7T - Capacity: 68 kN (6,8 ton) Capacity/pair: 136 kN (13,6 ton) Spreading: 2-27 mm Weight: 5 kg



We have
WORLDWIDE DISTRIBUTION
www.momento.se

 momento®
MADE IN SWEDEN

 **momento**

MOMENTO
P.O. Box 14
642 21 Flen
Sweden

VISITING ADDRESS
Kungsvägen 68
642 34 Flen
Sweden

CONTACT US
+46 157-690 00
info@momento.se
www.momento.se

