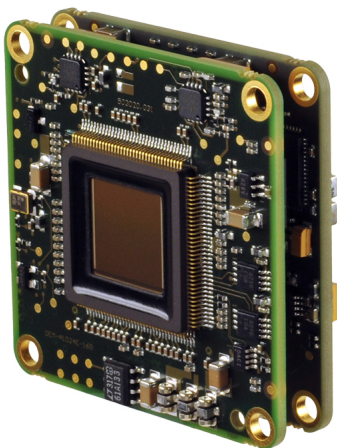


OEM-D1024E-160-LC

For customers that prefer to design their own camera solution but do not want to spend time on the sensor integration we offer a range of OEM camera modules

Features

- Photonfocus A1024B CMOS image sensor
- 1024 x 1024 pixel resolution
- Exceptional SNR up to 447:1
- Dynamic range up to 120dB via LinLog®
- Up to 150fps @ full resolution
- Global shutter
- Monochrome
- Extended sensor and camera features
- Reduction of ROI in x- and y-direction increases frame rate
- Up to 12bit greyscale resolution
- Camera and board level solution available
- Perfect fit for embedded solutions
- Parallel interface



Quantum Efficiency Image Sensor

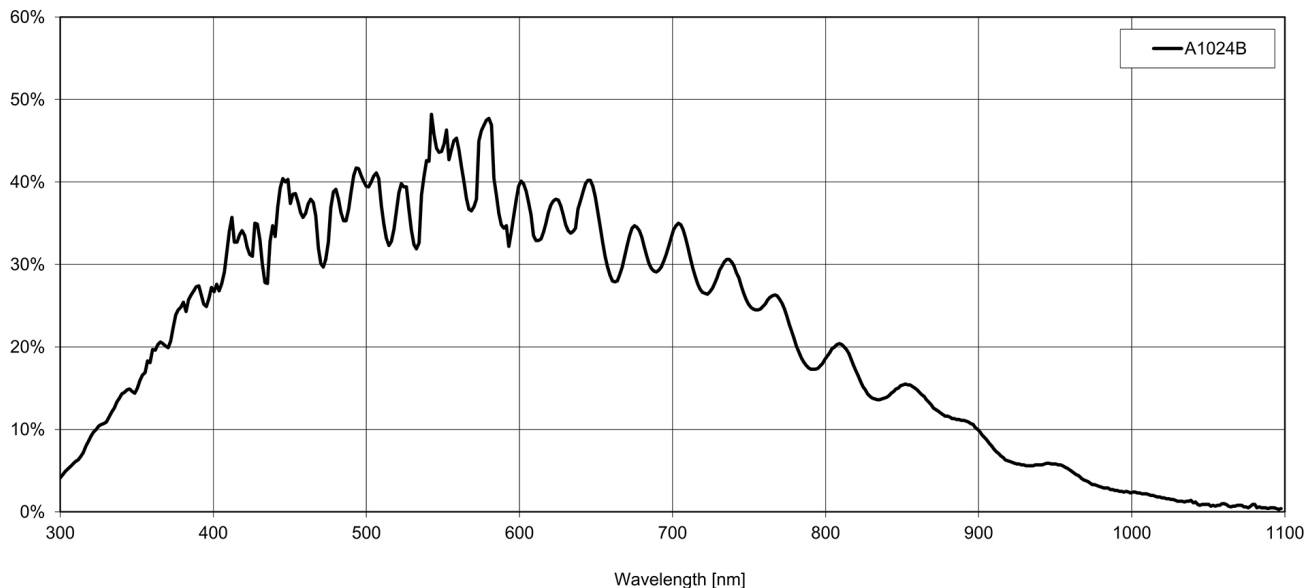


Image Sensor Specifications




Manufacturer / Type	Photonfocus, A1024
Technology	CMOS
Optical format	1"
Optical diagonal	15.42mm
Resolution	1024 x 1024
Pixel size	10.6µm x 10.6µm
Active optical area	10.9mm x 10.9mm
Dark current	107'000e-/s
Read out noise	220e-
Full well capacity / SNR	200ke- / 447:1
Spectral range	Monochrome: 400 to 900nm (to 10% of peak responsivity)
Responsivity	Monochrome: 120 x 10 ³ DN / (J/m ²) @ 610nm / 8bit
Quantum Efficiency	Monochrome: < 45%
Optical fill factor	35%
Dynamic range	60dB in linear mode; 120dB with LinLog®
Characteristic curve	Linear, LinLog®, Skimming
Shutter mode	Global shutter

Camera Specifications

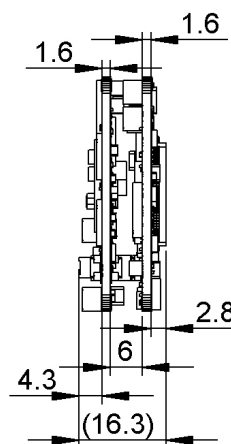
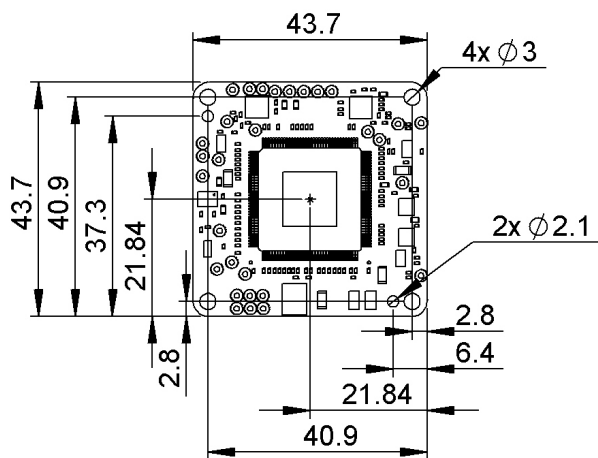
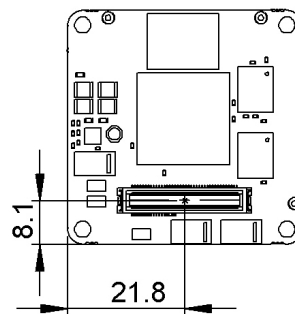
Interface	LVC MOS
Frame rate	150fps
Pixel clock	80MHz
Camera taps	2
Greyscale resolution	8Bit / 10Bit / 12Bit
Fixed pattern noise (FPN)	< 1DN RMS @ 8bit
Exposure time range	10µs - 419ms
Analog gain	n/a
Digital gain	0.1 to 15.99 (FineGain)
Trigger Modes	Free running (non triggered), external Trigger, SWTrigger
Features	Configurable region of interest (ROI), Up to 512 regions of interest (MROI), Decimation in y-direction, Image correction, 2 look-up tables (12-to-8Bit) on user-defined image region (Region-LUT), Constant frame rate independent of exposure time, Crosshairs overlay on the image, Temperature monitoring of camera, Camera informations readable over SDK, Ultra low trigger delay and low trigger jitter, Extended trigger input and strobe output functionality, Status line in picture
Operation temperature / moisture	0°C ... + 50°C / 20% ... 80%
Storage temperature / moisture	-25°C ... 60°C / 20% ... 95%
Power supply	details in the manual
Power consumption	< 3.2W
Lens mount	n/a
I/O Inputs	details in the manual
I/O Outputs	details in the manual
Dimensions	44 x 44 x 16mm ³
Mass	27g
Connector I/O (Power)	n/a
Connector Interface	DF17 series (mating plug DF17(4.0)-80DS-0.5V)
Conformity	CE / RoHS / WEEE
IP Code	IP20

Connectors

Hirose DF17 series, 80 contacts

Header Photonfocus side		Receptable Customer side	
		DF17(?.?)80DS-0.5V	
		3 mm	4 mm
			
DF17(2.0)80DP-0.5V		2 mm	
			
		mating height 5 mm (not recommended)	mating height 6 mm

Dimensions



Explanation

DN DigitalNumber (equals to LSB)

e⁻ Electrons

Order Information

OEM-D1024E-160-LC-12

BW model

Compatibility

Photonfocus AG
Bahnhofplatz 10
CH-8853 Lachen SZ
Switzerland

Phone: +41 55 451 00 00
www.photonfocus.com
info@photonfocus.com