

PRODUCT SPECIFICATION

Series 2RV7 Military

Precision series RV4 potentiometers are suitable for both military and commercial applications.

RoHS and REACH Complaint and contain no Conflict minerals.

These Products meet Military Specifications, Custom made parts available on request.



Electrical Specification

Resistance tolerance: ±10% or ±20%

Power rating: 2 watts at 70°C derated to 0 watts at 120°C

Insulation resistance:

dry: 10K MegΩ

wet: 100K MegΩ

Dielectric strength: 900 V RMS at sea level

Operating voltage: 500 V, subject to power rating

Table 2RV7

Designation	Flat Bushing N&S	Slotted Bushing N&S	Slotted Bushing L&T
A			0.625
B		0.5	
D	0.875	0.875	0.875
G		1.25	
J		2	
K		2.5	

Resistance Characteristi Combination	Panel Cup	Read Cup
A	A	A
C	C	C
G	A	C
H	C	A

Mechanical Specification

Mechanical rotation: 314°

Operating torque: 1 oz/in to 12 oz/in

Rotational life: 25,000 cycles

Enviromental Specification

Operating temperature: -65°C to +125°C

Resistance to soldering heat: 350°C for 5 seconds

Humidity range: per MIL-R-94

Vibration range: per MIL-R-94

Shock resistance: per MIL-R-94

Load life: 1000 hours at 70°C

Features



hot molded carbon element



gold-plated terminals



stainless-steel shaft and housing



quality meeting or exceeding MIL-R-94 - QPL listed

PRODUCT DRAWINGS

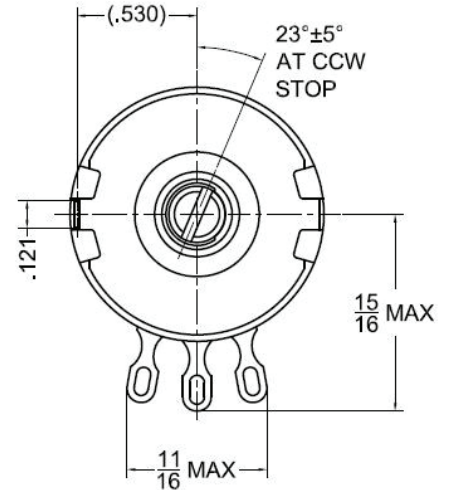
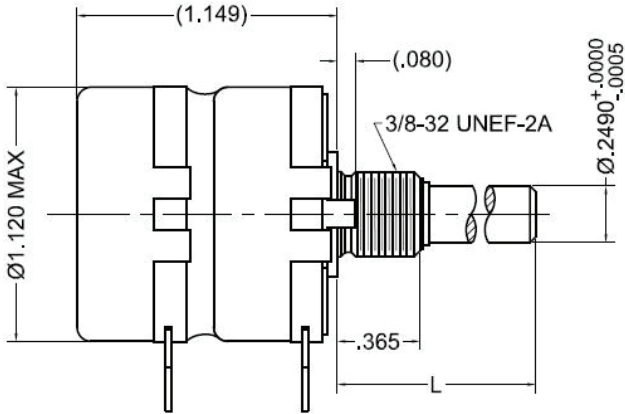
Series 2RV7 Military

Precision series RV4 potentiometers are suitable for both military and commercial applications.

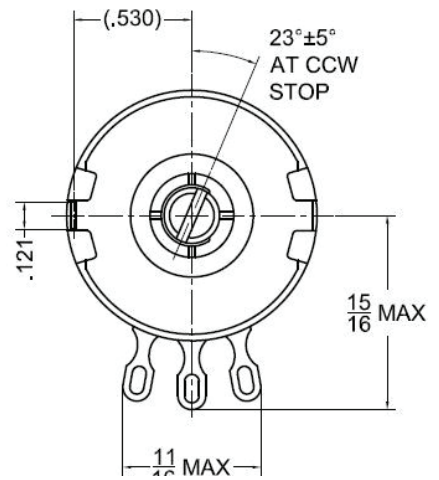
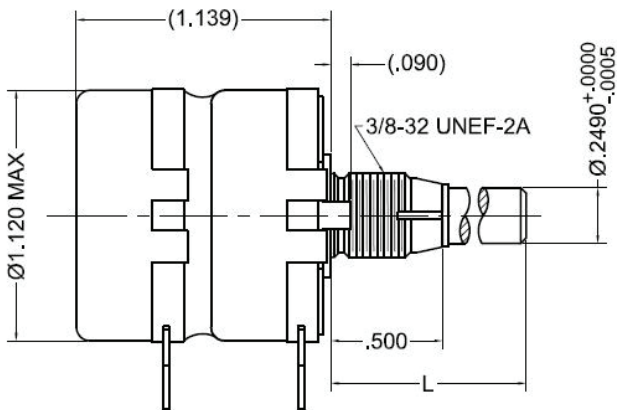
RoHS and REACH Compliant and contain no Conflict minerals.

These Products meet Military Specifications, Custom made parts available on request.

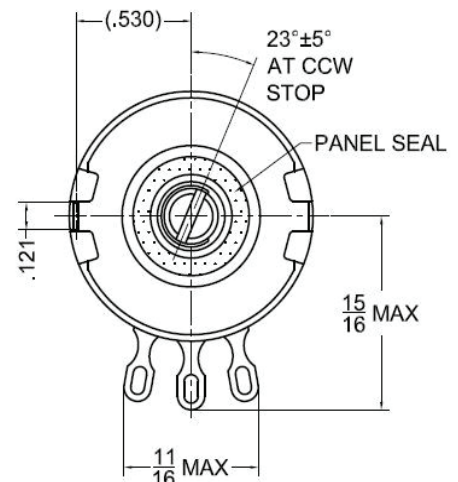
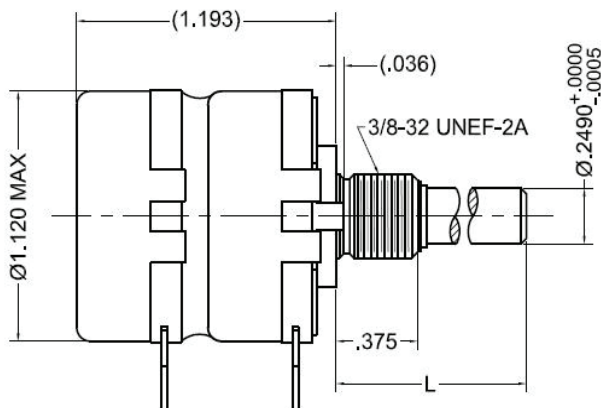
Standard Bushing



Locking Bushing



Water Seal



ORDERING INFO

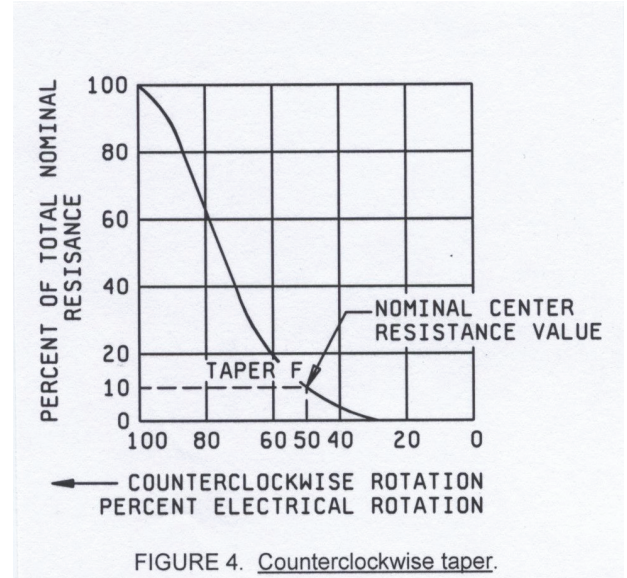
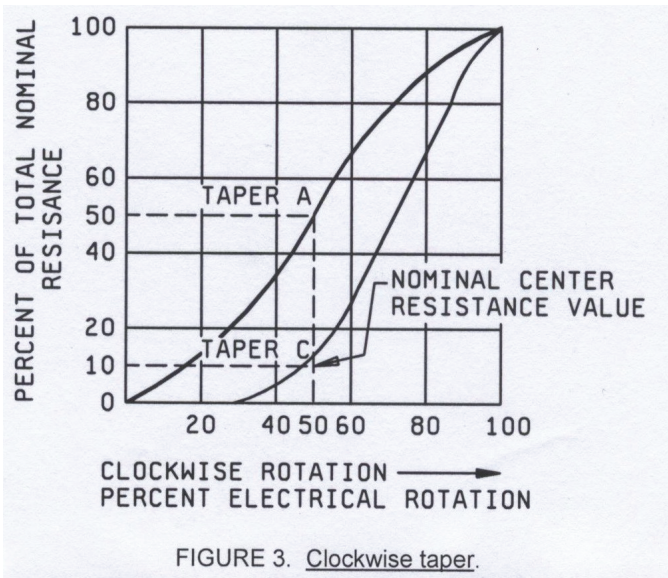
Series 2RV7 Military

Precision series RV4 potentiometers are suitable for both military and commercial applications.

RoHS and REACH Compliant and contain no Conflict minerals.

These Products meet Military Specifications, Custom made parts available on request.

Percent Of Total Nominal Resistance



Ordering Information - Military Part Numbers

Style	Bushing	Temperature and moisture characteristics	Shaft Style	Shaft Length	Resistance Value	Taper and tolerance
2RV7 = MIL styleRV4	N = standard L = locking S = panel & shaft seal T = panel & shaft seal	Y = as per MIL-R-94	S = slotted F = flatted	B = 1/2" A = 5/8" D = 7/8" G = 1 1/4" N = 1 1/2" J = 2" K = 2 1/2" see table 2RV7 1 for possibilities	total resistance value in Ω: first two digits significant, third digit = number of zeroes See RV resistance available	A C G H See resistance combination

Example: 2RV7NYSB000000A

note: not all part number combinations are valid

RV7 Resistance Available in Ohms

50	1500	25 000	500 000
100	2000	35 000	750 000
150	2500	50 000	1 000 000
200	3500	75 000	1 500 000
250	5000	100 000	2 000 000
350	7500	150 000	2 500 000
500	10 000	200 000	3 500 000
750	15 000	250 000	5 000 000
1000	20 000	350 000	