

CES-AR-AES-12 (Order no. 098225)

AR evaluation unit CES-AR-AES-12

- ▶ Central evaluation of an AR switch chain
- ▶ Status of each individual switch can be recognized
- ▶ For switch chains of up to 12 devices
- ▶ Four individual safe relay contacts
- ▶ Category 4/PLe according to EN ISO 13849-1



Important: A switch chain comprising the following safety switches can be connected to the AR evaluation unit:

CES-AR-C01 / CES-AR-C02 / CES-AR-C04 / ESL-AR / CET-AR / CTP-AR

Function

The AR evaluation unit is used to evaluate the individual safety switches in a CES-AR... switch chain and the safe interruption of a safety circuit.

The unit has two inputs for connection of a CES-AR... switch chain. The safety contacts are switched as a function of the input signals. Downstream parts of the safety circuit can be monitored using a feedback loop.

The switching states of the connected safety switches can be signaled by means of monitoring outputs. If the actuator on one of the safety switches in the switch chain is moved out of the actuating range, the AR evaluation unit opens its contacts and the corresponding monitoring output is reset.

The system is designed so that failures will not result in the loss of the safety function. The occurrence of failures is detected by cyclic self-monitoring at the latest at the next demand to close the safety contacts. The system can be started either manually using a start button or automatically.

Category according to EN ISO 13849-1

Due to two redundant safety paths (relay contacts) with 2 internal, monitored normally open contacts per safety path, suitable for:

- ▶ Category 4 / PL e according to EN ISO 13849-1

Each safety path is independently safe.

LED indicator

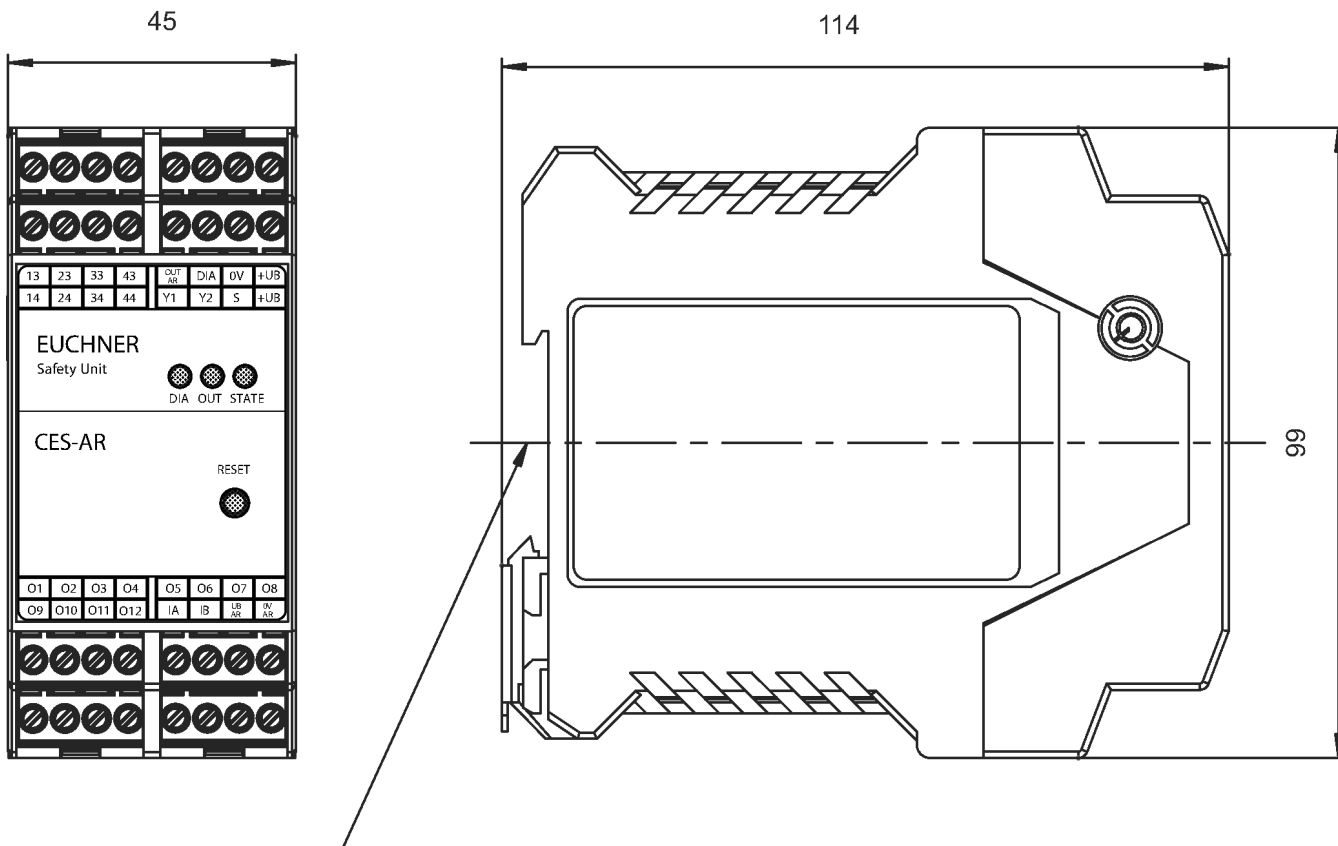
STATE Status LED

DIA Diagnostics LED

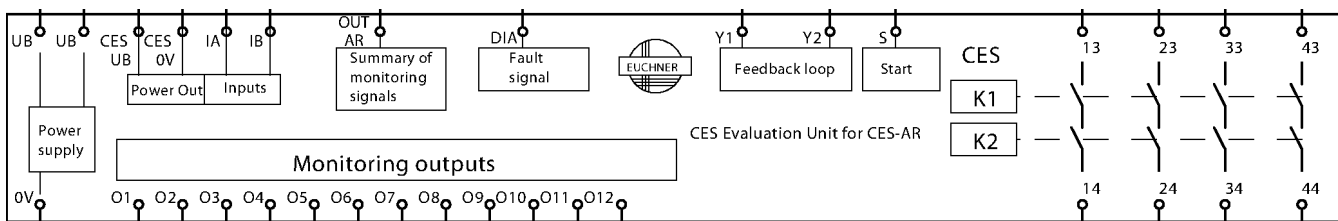
OUT Safe state/self-test

Important: The plug-in connection terminals are not included and must be ordered separately.

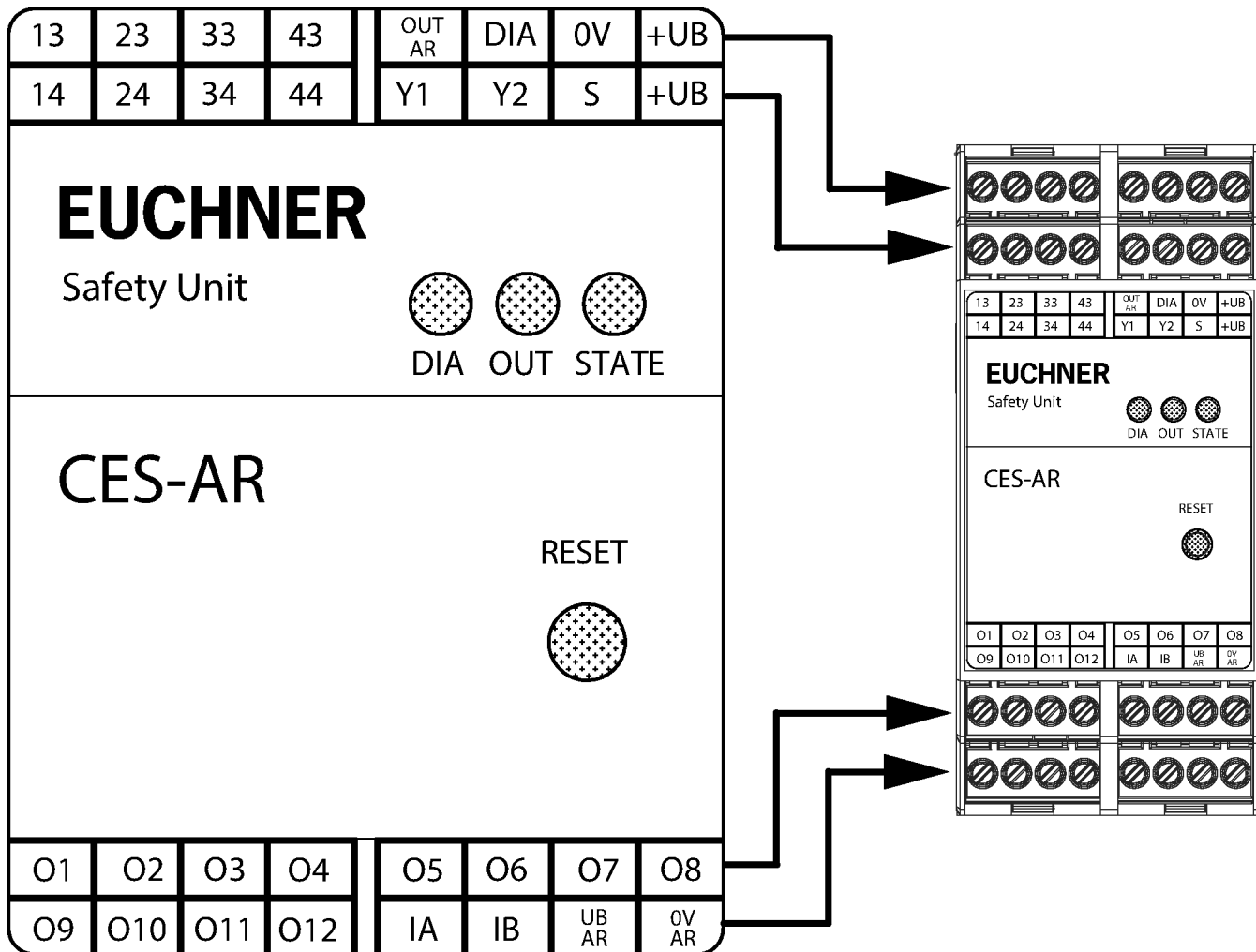
Dimensional drawings



Connection examples



Connection examples



Technical data

Approvals



Operating and display elements

LED display

- DIA LED red: fault display
- OUT LED yellow: AR chain status
- STATE LED green: device status

Electrical connection values

Connection cross section	0.14 ... 2.5 mm ²
Rated insulation voltage U _i	250 V
Rated impulse withstand voltage U _{imp}	4 kV
EMC protection requirements	Acc. to EN 60947-5-3
Switching delay from state change	max. 480 ms (Corresponds to the risk time according to EN 60947-5-3. This is the maximum OFF time for the safety outputs following removal of the actuator.)
Degree of contamination (external, according to EN 60947-1)	2
Y1/Y2	
Current via feedback loop	5 ... 8 ... 10 mA
permissible resistance in feedback loop	max. 600 Ω
O1 ... O12	
Output type	Semiconductor outputs, p-switching, short circuit proof
Output voltage	
	LOW 0 ... 1 V DC
	HIGH UB - 20% ... UB V DC
Output current	max. 20 mA

OUT AR

Output type Semiconductor output, p-switching, short circuit proof

Output voltage

HIGH UB - 20 % ... UB V DC

LOW 0 ... 1 V DC

Output current max. 20 mA

DIA

Output type Semiconductor output, p-switching, short circuit proof

Output voltage

HIGH UB - 20% ... UB V DC

LOW 0 ... 1 V DC

Output current max. 20 mA

IA, IB

Number of connectible safety switches max. 12

Safety inputs 2 (for CES-AR switch chain)

13/14, 23/24, 33/34, 43/44

Fuse

external (safety circuit) according to EN 60269-1 6 AgG or 6 A circuit breaker (characteristic B or C)

Discrepancy time

between the operating points of both relays max. 25 ms

Utilization category

AC-15 230 V 5 A

DC-12 30 V 6 A

AC-12 30 V 6 A

AC-12 60 V 0.3 A

DC-12 60 V 0.3 A

DC-13 24 V 5 A

Switching current	
Relay outputs (at switching voltage AC/DC 21 ... 60 V)	1 ... 300 mA
Relay outputs (at switching voltage AC 5 ... 230 V)	10 ... 5000 mA
Relay outputs (at switching voltage AC/DC 5 ... 30 V)	10 ... 6000 mA

Start button S

Response delay	
Start button	300 ... 600 ms
Duration of actuation	min. 250 ms
Input voltage	
LOW	0 ... 2 V DC
HIGH	15 ... U_B V DC
Input current	
HIGH	5 ... 8 ... 10 mA

Power supply 1

Fuse	
external (operating voltage U_B)	2.5 ... 8 A
Operating voltage DC	
U_B	24 V DC -10% ... +10% regulated, residual ripple < 5%
Current consumption	
IB (with relay energized)	1200 mA (taking into account the load currents at the monitoring outputs (20 mA each))

Mechanical values and environment

Dimensions	114 x 99 x 45
Connection type	plug-in screw terminals, coded
Number of LED displays	3

Ready delay max. 8 s
 (After the operating voltage is switched on, the relay outputs are switched off and the monitoring outputs are set to LOW level during the ready delay. For visual indication of the delay, the green STATE LED flashes at a frequency of approx. 15 Hz.)

Atmospheric humidity	
not condensing	max. 80 % rH

Mounting type Mounting rail 35 mm according to EN 60715

Shock and vibration resistance Acc. to EN IEC 60947-5-3

Degree of protection IP20

Ambient temperature	
at $U_B = DC 24 V$	-20 ... +55 °C

Material
 Housing Plastic PA6.6

01 ... 012

Number of monitoring outputs 12

13/14, 23/24, 33/34, 43/44

Number of safety contacts 4 Relay with internally monitored contacts

Switching frequency 1 Hz
 (If the current load is >100 mA, a switching frequency of 0.1 Hz should not be exceeded as this will affect the mechanical life of the relay contacts.)

Mechanical life
 Relay 10 x 10⁶

Characteristic values according to EN ISO 13849-1 and EN IEC 62061

Number of switching cycles	
≤ 0.1 A at 24 V DC	max. 720000 1/y
≤ 1 A at 24 V DC	max. 540000 1/y
≤ 3 A at 24 V DC	max. 107000 1/y

Mission time 20 y
 (This value is dependent on the number of switching cycles and the switching current.)

Monitoring of the guard position

Category	4 (This value is dependent on the number of switching cycles and the switching current.)
Performance Level	PL e (This value is dependent on the number of switching cycles and the switching current.)
PFH _D	1.5×10^{-8} (This value is dependent on the number of switching cycles and the switching current.)

Downloads

All documentation for this material can be found on our website:

<https://www.euchner.de/en-us/a/098225/?#downloads-tab>

Ordering data

Ordernumber	098225
Item designation	CES-AR-AES-12
Gross weight	0,326kg
Customs tariff number	85364110
ECLASS	27-27-24-03 Safety-related transponder switch

Accessories

CES-AR

Non-contact safety switch CES-AR-C01...



098941
CES-AR-C01-AH-SA

- ▶ Safety switch with integrated evaluation electronics
- ▶ Up to 20 switches in series
- ▶ Short circuit monitoring
- ▶ 2 safety outputs (semiconductor outputs)
- ▶ Category 4 / PL e according to EN ISO 13849-1
- ▶ Unicode



098942
CES-AR-C01-CH-SA

- ▶ Safety switch with integrated evaluation electronics
- ▶ Up to 20 switches in series
- ▶ Short circuit monitoring
- ▶ 2 safety outputs (semiconductor outputs)
- ▶ Category 4 / PL e according to EN ISO 13849-1
- ▶ Multicode



098582
CES-AR-C01-EH-SA

- ▶ Safety switch with integrated evaluation electronics
- ▶ Up to 20 switches in series
- ▶ Short circuit monitoring
- ▶ 2 safety outputs (semiconductor outputs)
- ▶ Category 4 / PL e according to EN ISO 13849-1
- ▶ Fixcode evaluation (incl. actuator CES-A-BPA)
- ▶ Actuator CES-A-BPA included

Non-contact safety switch CES-AR-CL2-... , plug connector M12, PUR



115792
CES-AR-CR2-CH-SA-115792

- ▶ Safety switch with integrated evaluation electronics
- ▶ Up to 20 switches in series
- ▶ Short circuit monitoring
- ▶ 2 safety outputs (semiconductor outputs)
- ▶ Door hinge right
- ▶ Category 4 / PL e according to EN ISO 13849-1
- ▶ Connecting cable PUR, 0.15 m, plug connector M12, 8-core
- ▶ Multicode
- ▶ Two safety screws M4x14 included



105747
CES-AR-CL2-CH-SA-105747

- ▶ Safety switch with integrated evaluation electronics
- ▶ Up to 20 switches in series
- ▶ Short circuit monitoring
- ▶ 2 safety outputs (semiconductor outputs)
- ▶ Door hinge left
- ▶ Category 4 / PL e according to EN ISO 13849-1
- ▶ Connecting cable PUR, 1 m, plug connector M12, 8-core
- ▶ Multicode
- ▶ Two safety screws M4x14 included

105748

CES-AR-CL2-AH-SA-105748



- ▶ Safety switch with integrated evaluation electronics
- ▶ Up to 20 switches in series
- ▶ Short circuit monitoring
- ▶ 2 safety outputs (semiconductor outputs)
- ▶ Door hinge left
- ▶ Category 4 / PL e according to EN ISO 13849-1
- ▶ Connecting cable PUR, 1 m, plug connector M12, 8-core
- ▶ Unicode
- ▶ Two safety screws M4x14 included

115793

CES-AR-CL2-CH-SA-115793



- ▶ Safety switch with integrated evaluation electronics
- ▶ Up to 20 switches in series
- ▶ Short circuit monitoring
- ▶ 2 safety outputs (semiconductor outputs)
- ▶ Door hinge left
- ▶ Category 4 / PL e according to EN ISO 13849-1
- ▶ Connecting cable PUR, 0.15 m, plug connector M12, 8-core
- ▶ Multicode
- ▶ Two safety screws M4x14 included

Non-contact safety switch CES-AR-CL2-... , plug connector M8

105752

CES-AR-CL2-CH-SG-105752



- ▶ Safety switch with integrated evaluation electronics
- ▶ Up to 20 switches in series
- ▶ Short circuit monitoring
- ▶ 2 safety outputs (semiconductor outputs)
- ▶ Door hinge left
- ▶ Category 4 / PL e according to EN ISO 13849-1
- ▶ Plug connector M8, 8-pin
- ▶ Multicode
- ▶ Two safety screws M4x14 included

105753

CES-AR-CL2-AH-SG-105753



- ▶ Safety switch with integrated evaluation electronics
- ▶ Up to 20 switches in series
- ▶ Short circuit monitoring
- ▶ 2 safety outputs (semiconductor outputs)
- ▶ Door hinge left
- ▶ Category 4 / PL e according to EN ISO 13849-1
- ▶ Plug connector M8, 8-pin
- ▶ Unicode
- ▶ Two safety screws M4x14 included

Non-contact safety switch CES-AR-CL2-..., with flying lead, PUR

109051

CES-AR-CL2-AH-L10-109051



- ▶ Safety switch with integrated evaluation electronics
- ▶ Up to 20 switches in series
- ▶ Short circuit monitoring
- ▶ 2 safety outputs (semiconductor outputs)
- ▶ Door hinge left
- ▶ Category 4 / PL e according to EN ISO 13849-1
- ▶ Connecting cable PUR, 10 m, flying lead, 8-core
- ▶ Unicode
- ▶ Two safety screws M4x14 included

109045

CES-AR-CL2-CH-L05-109045



- ▶ Safety switch with integrated evaluation electronics
- ▶ Up to 20 switches in series
- ▶ Short circuit monitoring
- ▶ 2 safety outputs (semiconductor outputs)
- ▶ Door hinge left
- ▶ Category 4 / PL e according to EN ISO 13849-1
- ▶ Connecting cable PUR, 5 m, flying lead, 8-core
- ▶ Multicode
- ▶ Two safety screws M4x14 included

109049

CES-AR-CL2-CH-L10-109049



- ▶ Safety switch with integrated evaluation electronics
- ▶ Up to 20 switches in series
- ▶ Short circuit monitoring
- ▶ 2 safety outputs (semiconductor outputs)
- ▶ Door hinge left
- ▶ Category 4 / PL e according to EN ISO 13849-1
- ▶ Connecting cable PUR, 10 m, flying lead, 8-core
- ▶ Multicode
- ▶ Two safety screws M4x14 included

109047

CES-AR-CL2-AH-L05-109047



- ▶ Safety switch with integrated evaluation electronics
- ▶ Up to 20 switches in series
- ▶ Short circuit monitoring
- ▶ 2 safety outputs (semiconductor outputs)
- ▶ Door hinge left
- ▶ Category 4 / PL e according to EN ISO 13849-1
- ▶ Connecting cable PUR, 5 m, flying lead, 8-core
- ▶ Unicode
- ▶ Two safety screws M4x14 included

109055

CES-AR-CL2-AH-L20-109055



- ▶ Safety switch with integrated evaluation electronics
- ▶ Up to 20 switches in series
- ▶ Short circuit monitoring
- ▶ 2 safety outputs (semiconductor outputs)
- ▶ Door hinge left
- ▶ Category 4 / PL e according to EN ISO 13849-1
- ▶ Connecting cable PUR, 20 m, flying lead, 8-core
- ▶ Unicode
- ▶ Two safety screws M4x14 included

Non-contact safety switch CES-AR-CR2-... , plug connector M12, PUR

105746

CES-AR-CR2-AH-SA-105746



- ▶ Safety switch with integrated evaluation electronics
- ▶ Up to 20 switches in series
- ▶ Short circuit monitoring
- ▶ 2 safety outputs (semiconductor outputs)
- ▶ Door hinge right
- ▶ Category 4 / PL e according to EN ISO 13849-1
- ▶ Connecting cable PUR, 1 m, plug connector M12, 8-core
- ▶ Unicode
- ▶ Two safety screws M4x14 included

105745

CES-AR-CR2-CH-SA-105745



- ▶ Safety switch with integrated evaluation electronics
- ▶ Up to 20 switches in series
- ▶ Short circuit monitoring
- ▶ 2 safety outputs (semiconductor outputs)
- ▶ Door hinge right
- ▶ Category 4 / PL e according to EN ISO 13849-1
- ▶ Connecting cable PUR, 1 m, plug connector M12, 8-core
- ▶ Multicode
- ▶ Two safety screws M4x14 included

Non-contact safety switch CES-AR-CR2-... , plug connector M8

105750

CES-AR-CR2-CH-SG-105750



- ▶ Safety switch with integrated evaluation electronics
- ▶ Up to 20 switches in series
- ▶ Short circuit monitoring
- ▶ 2 safety outputs (semiconductor outputs)
- ▶ Door hinge right
- ▶ Category 4 / PL e according to EN ISO 13849-1
- ▶ Plug connector M8, 8-pin
- ▶ Multicode
- ▶ Two safety screws M4x14 included

105751

CES-AR-CR2-AH-SG-105751



- ▶ Safety switch with integrated evaluation electronics
- ▶ Up to 20 switches in series
- ▶ Short circuit monitoring
- ▶ 2 safety outputs (semiconductor outputs)
- ▶ Door hinge right
- ▶ Category 4 / PL e according to EN ISO 13849-1
- ▶ Plug connector M8, 8-pin
- ▶ Unicode
- ▶ Two safety screws M4x14 included

Non-contact safety switch CES-AR-CR2-..., with flying lead, PUR

109052

CES-AR-CR2-CH-L20-109052



- ▶ Safety switch with integrated evaluation electronics
- ▶ Up to 20 switches in series
- ▶ Short circuit monitoring
- ▶ 2 safety outputs (semiconductor outputs)
- ▶ Door hinge right
- ▶ Category 4 / PL e according to EN ISO 13849-1
- ▶ Connecting cable PUR, 20 m, flying lead, 8-core
- ▶ Multicode
- ▶ Two safety screws M4x14 included

109050

CES-AR-CR2-AH-L10-109050



- ▶ Safety switch with integrated evaluation electronics
- ▶ Up to 20 switches in series
- ▶ Short circuit monitoring
- ▶ 2 safety outputs (semiconductor outputs)
- ▶ Door hinge right
- ▶ Category 4 / PL e according to EN ISO 13849-1
- ▶ Connecting cable PUR, 10 m, flying lead, 8-core
- ▶ Unicode
- ▶ Two safety screws M4x14 included

109054

CES-AR-CR2-AH-L20-109054



- ▶ Safety switch with integrated evaluation electronics
- ▶ Up to 20 switches in series
- ▶ Short circuit monitoring
- ▶ 2 safety outputs (semiconductor outputs)
- ▶ Door hinge right
- ▶ Category 4 / PL e according to EN ISO 13849-1
- ▶ Connecting cable PUR, 20 m, flying lead, 8-core
- ▶ Unicode
- ▶ Two safety screws M4x14 included

109048

CES-AR-CR2-CH-L10-109048



- ▶ Safety switch with integrated evaluation electronics
- ▶ Up to 20 switches in series
- ▶ Short circuit monitoring
- ▶ 2 safety outputs (semiconductor outputs)
- ▶ Door hinge right
- ▶ Category 4 / PL e according to EN ISO 13849-1
- ▶ Connecting cable PUR, 10 m, flying lead, 8-core
- ▶ Multicode
- ▶ Two safety screws M4x14 included

109044

CES-AR-CR2-CH-L05-109044



- ▶ Safety switch with integrated evaluation electronics
- ▶ Up to 20 switches in series
- ▶ Short circuit monitoring
- ▶ 2 safety outputs (semiconductor outputs)
- ▶ Door hinge right
- ▶ Category 4 / PL e according to EN ISO 13849-1
- ▶ Connecting cable PUR, 5 m, flying lead, 8-core
- ▶ Multicode
- ▶ Two safety screws M4x14 included

109046

CES-AR-CR2-AH-L05-109046



- ▶ Safety switch with integrated evaluation electronics
- ▶ Up to 20 switches in series
- ▶ Short circuit monitoring
- ▶ 2 safety outputs (semiconductor outputs)
- ▶ Door hinge right
- ▶ Category 4 / PL e according to EN ISO 13849-1
- ▶ Connecting cable PUR, 5 m, flying lead, 8-core
- ▶ Unicode
- ▶ Two safety screws M4x14 included

Non-contact safety switches CES-I-AR-.-C04-..., M12

119473

CES-I-AR-U-C04-USA-119473



- ▶ Safety switch with integrated evaluation electronics
- ▶ Up to 20 switches in series
- ▶ Short circuit monitoring
- ▶ 2 safety outputs (semiconductor outputs)
- ▶ Category 4 / PL e according to EN ISO 13849-1
- ▶ Three active faces
- ▶ Connecting cable PUR, 1 m, plug connector M12, 8-core
- ▶ Unicode

119479

CES-I-AR-M-C04-USA-119479



- ▶ Safety switch with integrated evaluation electronics
- ▶ Up to 20 switches in series
- ▶ Short circuit monitoring
- ▶ 2 safety outputs (semiconductor outputs)
- ▶ Category 4 / PL e according to EN ISO 13849-1
- ▶ Three active faces
- ▶ Connecting cable PUR, 1 m, plug connector M12, 8-core
- ▶ Multicode

Non-contact safety switches CES-I-AR-.-C04-..., M8

119469

CES-I-AR-U-C04-SG-119469



- ▶ Safety switch with integrated evaluation electronics
- ▶ Up to 20 switches in series
- ▶ Short circuit monitoring
- ▶ 2 safety outputs (semiconductor outputs)
- ▶ Category 4 / PL e according to EN ISO 13849-1
- ▶ Three active faces
- ▶ Plug connector M8, 8-pin
- ▶ Unicode

119474

CES-I-AR-M-C04-SG-119474



- ▶ Safety switch with integrated evaluation electronics
- ▶ Up to 20 switches in series
- ▶ Short circuit monitoring
- ▶ 2 safety outputs (semiconductor outputs)
- ▶ Category 4 / PL e according to EN ISO 13849-1
- ▶ Three active faces
- ▶ Plug connector M8, 8-pin
- ▶ Multicode

Non-contact safety switches CES-I-AR-.-C04-..., flying lead

119470

CES-I-AR-U-C04-U05-119470



- ▶ Safety switch with integrated evaluation electronics
- ▶ Up to 20 switches in series
- ▶ Short circuit monitoring
- ▶ 2 safety outputs (semiconductor outputs)
- ▶ Category 4 / PL e according to EN ISO 13849-1
- ▶ Three active faces
- ▶ Connecting cable PUR, 5 m, flying lead, 8-core
- ▶ Unicode

119476

CES-I-AR-M-C04-U10-119476



- ▶ Safety switch with integrated evaluation electronics
- ▶ Up to 20 switches in series
- ▶ Short circuit monitoring
- ▶ 2 safety outputs (semiconductor outputs)
- ▶ Category 4 / PL e according to EN ISO 13849-1
- ▶ Three active faces
- ▶ Connecting cable PUR, 10 m, flying lead, 8-core
- ▶ Multicode

119475

CES-I-AR-M-C04-U05-119475



- ▶ Safety switch with integrated evaluation electronics
- ▶ Up to 20 switches in series
- ▶ Short circuit monitoring
- ▶ 2 safety outputs (semiconductor outputs)
- ▶ Category 4 / PL e according to EN ISO 13849-1
- ▶ Three active faces
- ▶ Connecting cable PUR, 5 m, flying lead, 8-core
- ▶ Multicode

119471

CES-I-AR-U-C04-U10-119471



- ▶ Safety switch with integrated evaluation electronics
- ▶ Up to 20 switches in series
- ▶ Short circuit monitoring
- ▶ 2 safety outputs (semiconductor outputs)
- ▶ Category 4 / PL e according to EN ISO 13849-1
- ▶ Three active faces
- ▶ Connecting cable PUR, 10 m, flying lead, 8-core
- ▶ Unicode

119477

CES-I-AR-M-C04-U20-119477



- ▶ Safety switch with integrated evaluation electronics
- ▶ Up to 20 switches in series
- ▶ Short circuit monitoring
- ▶ 2 safety outputs (semiconductor outputs)
- ▶ Category 4 / PL e according to EN ISO 13849-1
- ▶ Three active faces
- ▶ Connecting cable PUR, 20 m, flying lead, 8-core
- ▶ Multicode

CET-AR

Non-contact safety switch CET-AR-..., M12

110240

CET2-AR-CRA-AH-50X-SG-110240



- ▶ Safety switch with guard locking and integrated evaluation electronics
- ▶ Locking force up to 6500 N
- ▶ Up to 20 switches in series
- ▶ Short circuit monitoring
- ▶ 2 safety outputs (semiconductor outputs)
- ▶ Category 4 / PL e according to EN ISO 13849-1
- ▶ With 2 plug connectors M12
- ▶ Unicode
- ▶ Teach-in input
- ▶ Approach direction A (delivery state)

105764

CET1-AR-CRA-CH-50S-SG-105764



- ▶ Safety switch with guard locking and integrated evaluation electronics
- ▶ Locking force up to 6500 N
- ▶ Up to 20 switches in series
- ▶ Short circuit monitoring
- ▶ 2 safety outputs (semiconductor outputs)
- ▶ Category 4 / PL e according to EN ISO 13849-1
- ▶ With 2 plug connectors M12
- ▶ Multicode
- ▶ Feedback loop
- ▶ Approach direction A (delivery state)

103418

CET1-AR-CRA-AH-50X-SG-103418



- ▶ Safety switch with guard locking and integrated evaluation electronics
- ▶ Locking force up to 6500 N
- ▶ Up to 20 switches in series
- ▶ Short circuit monitoring
- ▶ 2 safety outputs (semiconductor outputs)
- ▶ Category 4 / PL e according to EN ISO 13849-1
- ▶ With 2 plug connectors M12
- ▶ Unicode
- ▶ Teach-in input
- ▶ Approach direction A (delivery state)

111683

CET4-AR-CRA-AH-50X-SG-111683



- ▶ Safety switch with guard locking and integrated evaluation electronics
- ▶ Locking force up to 6500 N
- ▶ Up to 20 switches in series
- ▶ Short circuit monitoring
- ▶ 2 safety outputs (semiconductor outputs)
- ▶ Category 4 / PL e according to EN ISO 13849-1
- ▶ With 2 plug connectors M12
- ▶ Unicode
- ▶ Door monitoring output
- ▶ Indication of the door position by LED
- ▶ Teach-in input
- ▶ Approach direction A (delivery state)

113609

CET4-AR-CRA-CH-50X-SG-C2355-113609



- ▶ Safety switch with guard locking and integrated evaluation electronics
- ▶ Locking force up to 6500 N
- ▶ Up to 20 switches in series
- ▶ Short circuit monitoring
- ▶ 2 safety outputs (semiconductor outputs)
- ▶ Category 4 / PL e according to EN ISO 13849-1
- ▶ With 2 plug connectors M12
- ▶ Multicode
- ▶ Door monitoring output
- ▶ Indication of the door position by LED
- ▶ Approach direction A (delivery state)

105763

CET1-AR-CRA-CH-50X-SG-105763



- ▶ Safety switch with guard locking and integrated evaluation electronics
- ▶ Locking force up to 6500 N
- ▶ Up to 20 switches in series
- ▶ Short circuit monitoring
- ▶ 2 safety outputs (semiconductor outputs)
- ▶ Category 4 / PL e according to EN ISO 13849-1
- ▶ With 2 plug connectors M12
- ▶ Multicode
- ▶ Approach direction A (delivery state)

109075

CET2-AR-CRA-AH-50S-SG-109075



- ▶ Safety switch with guard locking and integrated evaluation electronics
- ▶ Locking force up to 6500 N
- ▶ Up to 20 switches in series
- ▶ Short circuit monitoring
- ▶ 2 safety outputs (semiconductor outputs)
- ▶ Category 4 / PL e according to EN ISO 13849-1
- ▶ With 2 plug connectors M12
- ▶ Unicode
- ▶ Feedback loop
- ▶ Approach direction A (delivery state)

105802

CET1-AR-CRA-AH-50S-SG-105802



- ▶ Safety switch with guard locking and integrated evaluation electronics
- ▶ Locking force up to 6500 N
- ▶ Up to 20 switches in series
- ▶ Short circuit monitoring
- ▶ 2 safety outputs (semiconductor outputs)
- ▶ Category 4 / PL e according to EN ISO 13849-1
- ▶ With 2 plug connectors M12
- ▶ Unicode
- ▶ Feedback loop
- ▶ Approach direction A (delivery state)

112992

CET3-AR-CRA-CH-50S-SG-112992



- ▶ Safety switch with guard locking and integrated evaluation electronics
- ▶ Locking force up to 6500 N
- ▶ Up to 20 switches in series
- ▶ Short circuit monitoring
- ▶ 2 safety outputs (semiconductor outputs)
- ▶ Category 4 / PL e according to EN ISO 13849-1
- ▶ With 2 plug connectors M12
- ▶ Multicode
- ▶ Door monitoring output
- ▶ Indication of the door position by LED
- ▶ Feedback loop / start button
- ▶ Approach direction A (delivery state)

110082

CET2-AR-CRA-CH-50X-SG-110082



- ▶ Safety switch with guard locking and integrated evaluation electronics
- ▶ Locking force up to 6500 N
- ▶ Up to 20 switches in series
- ▶ Short circuit monitoring
- ▶ 2 safety outputs (semiconductor outputs)
- ▶ Category 4 / PL e according to EN ISO 13849-1
- ▶ With 2 plug connectors M12
- ▶ Multicode
- ▶ Approach direction A (delivery state)

109401

CET3-AR-CRA-AH-50X-SG-109401



- ▶ Safety switch with guard locking and integrated evaluation electronics
- ▶ Locking force up to 6500 N
- ▶ Up to 20 switches in series
- ▶ Short circuit monitoring
- ▶ 2 safety outputs (semiconductor outputs)
- ▶ Category 4 / PL e according to EN ISO 13849-1
- ▶ With 2 plug connectors M12
- ▶ Unicode
- ▶ Door monitoring output
- ▶ Indication of the door position by LED
- ▶ Teach-in input
- ▶ Approach direction A (delivery state)

111684

CET4-AR-CRA-CH-50X-SG-111684



- ▶ Safety switch with guard locking and integrated evaluation electronics
- ▶ Locking force up to 6500 N
- ▶ Up to 20 switches in series
- ▶ Short circuit monitoring
- ▶ 2 safety outputs (semiconductor outputs)
- ▶ Category 4 / PL e according to EN ISO 13849-1
- ▶ With 2 plug connectors M12
- ▶ Multicode
- ▶ Door monitoring output
- ▶ Indication of the door position by LED
- ▶ Approach direction A (delivery state)

113081

CET4-AR-CRA-CH-50S-SG-113081



- ▶ Safety switch with guard locking and integrated evaluation electronics
- ▶ Locking force up to 6500 N
- ▶ Up to 20 switches in series
- ▶ Short circuit monitoring
- ▶ 2 safety outputs (semiconductor outputs)
- ▶ Category 4 / PL e according to EN ISO 13849-1
- ▶ With 2 plug connectors M12
- ▶ Multicode
- ▶ Door monitoring output
- ▶ Indication of the door position by LED
- ▶ Feedback loop / start button
- ▶ Approach direction A (delivery state)

110906

CET3-AR-CRA-CH-50X-SG-110906



- ▶ Safety switch with guard locking and integrated evaluation electronics
- ▶ Locking force up to 6500 N
- ▶ Up to 20 switches in series
- ▶ Short circuit monitoring
- ▶ 2 safety outputs (semiconductor outputs)
- ▶ Category 4 / PL e according to EN ISO 13849-1
- ▶ With 2 plug connectors M12
- ▶ Multicode
- ▶ Door monitoring output
- ▶ Indication of the door position by LED
- ▶ Approach direction A (delivery state)

Non-contact safety switch CET-AR-..., M12, with double ramp



109231

CET1-AR-CDA-CH-50X-SG-109231

- ▶ Safety switch with guard locking and integrated evaluation electronics
- ▶ Locking force up to 6500 N
- ▶ Up to 20 switches in series
- ▶ Short circuit monitoring
- ▶ 2 safety outputs (semiconductor outputs)
- ▶ Category 4 / PL e according to EN ISO 13849-1
- ▶ With 2 plug connectors M12
- ▶ Multicode
- ▶ With double ramp
- ▶ Approach directions A and C (delivery state)



114090

CET3-AR-CDA-CH-50X-SG-114090

- ▶ Safety switch with guard locking and integrated evaluation electronics
- ▶ Locking force up to 6500 N
- ▶ Up to 20 switches in series
- ▶ Short circuit monitoring
- ▶ 2 safety outputs (semiconductor outputs)
- ▶ Category 4 / PL e according to EN ISO 13849-1
- ▶ With 2 plug connectors M12
- ▶ Multicode
- ▶ Door monitoring output
- ▶ Indication of the door position by LED
- ▶ With double ramp
- ▶ Approach directions A and C (delivery state)



106275

CET1-AR-CDA-AH-50X-SG-106275

- ▶ Safety switch with guard locking and integrated evaluation electronics
- ▶ Locking force up to 6500 N
- ▶ Up to 20 switches in series
- ▶ Short circuit monitoring
- ▶ 2 safety outputs (semiconductor outputs)
- ▶ Category 4 / PL e according to EN ISO 13849-1
- ▶ With 2 plug connectors M12
- ▶ Unicode
- ▶ Teach-in input
- ▶ With double ramp
- ▶ Approach directions A and C (delivery state)



114712

CET4-AR-CDA-CH-50X-SG-114712

- ▶ Safety switch with guard locking and integrated evaluation electronics
- ▶ Locking force up to 6500 N
- ▶ Up to 20 switches in series
- ▶ Short circuit monitoring
- ▶ 2 safety outputs (semiconductor outputs)
- ▶ Category 4 / PL e according to EN ISO 13849-1
- ▶ With 2 plug connectors M12
- ▶ Multicode
- ▶ Door monitoring output
- ▶ Indication of the door position by LED
- ▶ With double ramp
- ▶ Approach directions A and C (delivery state)

Non-contact safety switch CET-AR-..., M12, with escape release



110907

CET3-AR-CRA-CH-50F-SG-110907

- ▶ Safety switch with guard locking and integrated evaluation electronics
- ▶ Locking force up to 6500 N
- ▶ Up to 20 switches in series
- ▶ Short circuit monitoring
- ▶ 2 safety outputs (semiconductor outputs)
- ▶ Category 4 / PL e according to EN ISO 13849-1
- ▶ With 2 plug connectors M12
- ▶ Multicode
- ▶ Door monitoring output
- ▶ Indication of the door position by LED
- ▶ Escape release, 75 mm long
- ▶ Approach direction A (delivery state)



106616

CET1-AR-CRA-AH-50A-SG-106616

- ▶ Safety switch with guard locking and integrated evaluation electronics
- ▶ Locking force up to 6500 N
- ▶ Up to 20 switches in series
- ▶ Short circuit monitoring
- ▶ 2 safety outputs (semiconductor outputs)
- ▶ Category 4 / PL e according to EN ISO 13849-1
- ▶ With 2 plug connectors M12
- ▶ Unicode
- ▶ Feedback loop
- ▶ Escape release, 75 mm long
- ▶ Approach direction A (delivery state)



114650

CET4-AR-CRA-CH-50F-SG-114650

- ▶ Safety switch with guard locking and integrated evaluation electronics
- ▶ Locking force up to 6500 N
- ▶ Up to 20 switches in series
- ▶ Short circuit monitoring
- ▶ 2 safety outputs (semiconductor outputs)
- ▶ Category 4 / PL e according to EN ISO 13849-1
- ▶ With 2 plug connectors M12
- ▶ Multicode
- ▶ Door monitoring output
- ▶ Indication of the door position by LED
- ▶ Escape release, 75 mm long
- ▶ Approach direction A (delivery state)



109941

CET2-AR-CRA-CH-50F-SG-C2312-109941

- ▶ Safety switch with guard locking and integrated evaluation electronics
- ▶ Locking force up to 6500 N
- ▶ Up to 20 switches in series
- ▶ Short circuit monitoring
- ▶ 2 safety outputs (semiconductor outputs)
- ▶ Category 4 / PL e according to EN ISO 13849-1
- ▶ With 2 plug connectors M12
- ▶ Multicode
- ▶ Escape release, 105 mm long
- ▶ Approach direction A (delivery state)

113965

CET3-AR-CRA-AH-50F-SG-113965



- ▶ Safety switch with guard locking and integrated evaluation electronics
- ▶ Locking force up to 6500 N
- ▶ Up to 20 switches in series
- ▶ Short circuit monitoring
- ▶ 2 safety outputs (semiconductor outputs)
- ▶ Category 4 / PL e according to EN ISO 13849-1
- ▶ With 2 plug connectors M12
- ▶ Unicode
- ▶ Door monitoring output
- ▶ Indication of the door position by LED
- ▶ Teach-in input
- ▶ Escape release, 75 mm long
- ▶ Approach direction A (delivery state)

106159

CET1-AR-CRA-AH-50F-SG-106159



- ▶ Safety switch with guard locking and integrated evaluation electronics
- ▶ Locking force up to 6500 N
- ▶ Up to 20 switches in series
- ▶ Short circuit monitoring
- ▶ 2 safety outputs (semiconductor outputs)
- ▶ Category 4 / PL e according to EN ISO 13849-1
- ▶ With 2 plug connectors M12
- ▶ Unicode
- ▶ Teach-in input
- ▶ Escape release, 75 mm long
- ▶ Approach direction A (delivery state)

110241

CET1-AR-CRA-CH-50F-SG-110241



- ▶ Safety switch with guard locking and integrated evaluation electronics
- ▶ Locking force up to 6500 N
- ▶ Up to 20 switches in series
- ▶ Short circuit monitoring
- ▶ 2 safety outputs (semiconductor outputs)
- ▶ Category 4 / PL e according to EN ISO 13849-1
- ▶ With 2 plug connectors M12
- ▶ Multicode
- ▶ Escape release, 75 mm long
- ▶ Approach direction A (delivery state)

Non-contact safety switch CET-AR-..., M12, with wire front release (bowden)

110114

CET3-AR-CRA-CH-50X-SG-C2290-110114



- ▶ Safety switch with guard locking and integrated evaluation electronics
- ▶ Locking force up to 6500 N
- ▶ Up to 20 switches in series
- ▶ Short circuit monitoring
- ▶ 2 safety outputs (semiconductor outputs)
- ▶ Category 4 / PL e according to EN ISO 13849-1
- ▶ With 2 plug connectors M12
- ▶ Multicode
- ▶ Door monitoring output
- ▶ Indication of the door position by LED
- ▶ Wire front release (bowden), 3 m, automatic return
- ▶ Approach direction A (delivery state)

109015

CET1-AR-CRA-CH-50X-SG-C2290-109015



- ▶ Safety switch with guard locking and integrated evaluation electronics
- ▶ Locking force up to 6500 N
- ▶ Up to 20 switches in series
- ▶ Short circuit monitoring
- ▶ 2 safety outputs (semiconductor outputs)
- ▶ Category 4 / PL e according to EN ISO 13849-1
- ▶ With 2 plug connectors M12
- ▶ Multicode
- ▶ Wire front release (bowden), 3 m, automatic return
- ▶ Approach direction A (delivery state)

Non-contact safety switch CET-AR-..., M12, with wire front release (bowden) (3 m)

113139

CET3-AR-CRA-AH-50X-SG-C2290-113139



- ▶ Safety switch with guard locking and integrated evaluation electronics
- ▶ Locking force up to 6500 N
- ▶ Up to 20 switches in series
- ▶ Short circuit monitoring
- ▶ 2 safety outputs (semiconductor outputs)
- ▶ Category 4 / PL e according to EN ISO 13849-1
- ▶ With 2 plug connectors M12
- ▶ Unicode
- ▶ Door monitoring output
- ▶ Indication of the door position by LED
- ▶ Teach-in input
- ▶ Wire front release (bowden), 3 m, automatic return
- ▶ Approach direction A (delivery state)

Non-contact safety switch CET-AR-..., RC18

110204

CET1-AR-CRA-CH-50X-SH-110204



- ▶ Safety switch with guard locking and integrated evaluation electronics
- ▶ Locking force up to 6500 N
- ▶ Up to 20 switches in series
- ▶ Short circuit monitoring
- ▶ 2 safety outputs (semiconductor outputs)
- ▶ Category 4 / PL e according to EN ISO 13849-1
- ▶ With plug connector MR23 (RC18)
- ▶ Multicode
- ▶ Approach direction A (delivery state)

110104

CET3-AR-CRA-CH-50X-SH-110104



- ▶ Safety switch with guard locking and integrated evaluation electronics
- ▶ Locking force up to 6500 N
- ▶ Up to 20 switches in series
- ▶ Short circuit monitoring
- ▶ 2 safety outputs (semiconductor outputs)
- ▶ Category 4 / PL e according to EN ISO 13849-1
- ▶ With plug connector M23 (RC18)
- ▶ Multicode
- ▶ Door monitoring output
- ▶ Approach direction A (delivery state)

115202

CET3-AR-CRA-AH-50X-SH-C2375-115202



- ▶ Safety switch with guard locking and integrated evaluation electronics
- ▶ Locking force up to 6500 N
- ▶ Up to 20 switches in series
- ▶ Short circuit monitoring
- ▶ 2 safety outputs (semiconductor outputs)
- ▶ Category 4 / PL e according to EN ISO 13849-1
- ▶ With plug connector M23 (RC18)
- ▶ Unicode
- ▶ Door monitoring output
- ▶ Approach direction A (delivery state)

124104

CET1-AR-CRA-CH-50F-SH-C2312-124104



- ▶ Safety switch with guard locking and integrated evaluation electronics
- ▶ Locking force up to 6500 N
- ▶ Up to 20 switches in series
- ▶ Short circuit monitoring
- ▶ 2 safety outputs (semiconductor outputs)
- ▶ Category 4 / PL e according to EN ISO 13849-1
- ▶ With plug connector M23 (RC18)
- ▶ Multicode
- ▶ Escape release, 105 long
- ▶ Approach direction A (delivery state)

110203

CET1-AR-CRA-AH-50X-SH-110203



- ▶ Safety switch with guard locking and integrated evaluation electronics
- ▶ Locking force up to 6500 N
- ▶ Up to 20 switches in series
- ▶ Short circuit monitoring
- ▶ 2 safety outputs (semiconductor outputs)
- ▶ Category 4 / PL e according to EN ISO 13849-1
- ▶ With plug connector M23 (RC18)
- ▶ Unicode
- ▶ Teach-in input
- ▶ Approach direction A (delivery state)

110103

CET3-AR-CRA-AH-50X-SH-110103



- ▶ Safety switch with guard locking and integrated evaluation electronics
- ▶ Locking force up to 6500 N
- ▶ Up to 20 switches in series
- ▶ Short circuit monitoring
- ▶ 2 safety outputs (semiconductor outputs)
- ▶ Category 4 / PL e according to EN ISO 13849-1
- ▶ With plug connector M23 (RC18)
- ▶ Unicode
- ▶ Door monitoring output
- ▶ Teach-in input
- ▶ Approach direction A (delivery state)

110201

CET4-AR-CRA-AH-50X-SH-110201



- ▶ Safety switch with guard locking and integrated evaluation electronics
- ▶ Locking force up to 6500 N
- ▶ Up to 20 switches in series
- ▶ Short circuit monitoring
- ▶ 2 safety outputs (semiconductor outputs)
- ▶ Category 4 / PL e according to EN ISO 13849-1
- ▶ With plug connector M23 (RC18)
- ▶ Unicode
- ▶ Door monitoring output
- ▶ Teach-in input
- ▶ Approach direction A (delivery state)

110206

CET2-AR-CRA-CH-50X-SH-110206



- ▶ Safety switch with guard locking and integrated evaluation electronics
- ▶ Locking force up to 6500 N
- ▶ Up to 20 switches in series
- ▶ Short circuit monitoring
- ▶ 2 safety outputs (semiconductor outputs)
- ▶ Category 4 / PL e according to EN ISO 13849-1
- ▶ With plug connector M23 (RC18)
- ▶ Multicode
- ▶ Approach direction A (delivery state)

110202

CET4-AR-CRA-CH-50X-SH-110202



- ▶ Safety switch with guard locking and integrated evaluation electronics
- ▶ Locking force up to 6500 N
- ▶ Up to 20 switches in series
- ▶ Short circuit monitoring
- ▶ 2 safety outputs (semiconductor outputs)
- ▶ Category 4 / PL e according to EN ISO 13849-1
- ▶ With plug connector M23 (RC18)
- ▶ Multicode
- ▶ Door monitoring output
- ▶ Approach direction A (delivery state)

110205

CET2-AR-CRA-AH-50X-SH-110205



- ▶ Safety switch with guard locking and integrated evaluation electronics
- ▶ Locking force up to 6500 N
- ▶ Up to 20 switches in series
- ▶ Short circuit monitoring
- ▶ 2 safety outputs (semiconductor outputs)
- ▶ Category 4 / PL e according to EN ISO 13849-1
- ▶ With plug connector M23 (RC18)
- ▶ Unicode
- ▶ Teach-in input
- ▶ Approach direction A (delivery state)

Non-contact safety switch CET-AR-..., RC18, and double ramp



113255

CET1-AR-CDA-CH-50X-SH-113255

- ▶ Safety switch with guard locking and integrated evaluation electronics
- ▶ Locking force up to 6500 N
- ▶ Up to 20 switches in series
- ▶ Short circuit monitoring
- ▶ 2 safety outputs (semiconductor outputs)
- ▶ Category 4 / PL e according to EN ISO 13849-1
- ▶ With plug connector M23 (RC18)
- ▶ Multicode
- ▶ With double ramp
- ▶ Approach directions A and C (delivery state)

Non-contact safety switch CET-AR-..., RC18, with escape release



110943

CET1-AR-CRA-AH-50F-SH-C2312-110943

- ▶ Safety switch with guard locking and integrated evaluation electronics
- ▶ Locking force up to 6500 N
- ▶ Up to 20 switches in series
- ▶ Short circuit monitoring
- ▶ 2 safety outputs (semiconductor outputs)
- ▶ Category 4 / PL e according to EN ISO 13849-1
- ▶ With plug connector M23 (RC18)
- ▶ Unicode
- ▶ Teach-in input
- ▶ Escape release, 105 mm long
- ▶ Approach direction A (delivery state)



116285

CET4-AR-CRA-AH-50F-SH-116285

- ▶ Safety switch with guard locking and integrated evaluation electronics
- ▶ Locking force up to 6500 N
- ▶ Up to 20 switches in series
- ▶ Short circuit monitoring
- ▶ 2 safety outputs (semiconductor outputs)
- ▶ Category 4 / PL e according to EN ISO 13849-1
- ▶ With plug connector M23 (RC18)
- ▶ Unicode
- ▶ Door monitoring output
- ▶ Teach-in input
- ▶ Escape release, 75 mm long
- ▶ Approach direction A (delivery state)



113148

CET3-AR-CRA-AH-50F-SH-113148

- ▶ Safety switch with guard locking and integrated evaluation electronics
- ▶ Locking force up to 6500 N
- ▶ Up to 20 switches in series
- ▶ Short circuit monitoring
- ▶ 2 safety outputs (semiconductor outputs)
- ▶ Category 4 / PL e according to EN ISO 13849-1
- ▶ With plug connector M23 (RC18)
- ▶ Unicode
- ▶ Door monitoring output
- ▶ Teach-in input
- ▶ Escape release, 75 mm long
- ▶ Approach direction A (delivery state)

111725

CET3-AR-CRA-AH-50F-SH-C2312-111725



- ▶ Safety switch with guard locking and integrated evaluation electronics
- ▶ Locking force up to 6500 N
- ▶ Up to 20 switches in series
- ▶ Short circuit monitoring
- ▶ 2 safety outputs (semiconductor outputs)
- ▶ Category 4 / PL e according to EN ISO 13849-1
- ▶ With plug connector M23 (RC18)
- ▶ Unicode
- ▶ Door monitoring output
- ▶ Teach-in input
- ▶ Escape release, 105 mm long
- ▶ Approach direction A (delivery state)

Non-contact safety switch CET-AR-..., RC18, with wire front release (bowden)

113022

CET1-AR-CRA-AH-50X-SH-C2290-113022



- ▶ Safety switch with guard locking and integrated evaluation electronics
- ▶ Locking force up to 6500 N
- ▶ Up to 20 switches in series
- ▶ Short circuit monitoring
- ▶ 2 safety outputs (semiconductor outputs)
- ▶ Category 4 / PL e according to EN ISO 13849-1
- ▶ Plug connector M23 (RC18)
- ▶ Unicode
- ▶ Teach-in input
- ▶ Wire front release (bowden), 3 m, automatic return
- ▶ Approach direction A (delivery state)

113024

CET3-AR-CRA-AH-50X-SH-C2290-113024



- ▶ Safety switch with guard locking and integrated evaluation electronics
- ▶ Locking force up to 6500 N
- ▶ Up to 20 switches in series
- ▶ Short circuit monitoring
- ▶ 2 safety outputs (semiconductor outputs)
- ▶ Category 4 / PL e according to EN ISO 13849-1
- ▶ Plug connector M23 (RC18)
- ▶ Unicode
- ▶ Door monitoring output
- ▶ Teach-in input
- ▶ Wire front release (bowden), 3 m, automatic return
- ▶ Approach direction A (delivery state)

Non-contact safety switch CET-AR-..., RC18, with wire front release (bowden) (5 m)



114088

CET3-AR-CRA-AH-50X-SH-C2290-114088

- ▶ Safety switch with guard locking and integrated evaluation electronics
- ▶ Locking force up to 6500 N
- ▶ Up to 20 switches in series
- ▶ Short circuit monitoring
- ▶ 2 safety outputs (semiconductor outputs)
- ▶ Category 4 / PL e according to EN ISO 13849-1
- ▶ Plug connector M23 (RC18)
- ▶ Unicode
- ▶ Door monitoring output
- ▶ Teach-in input
- ▶ Wire front release (bowden), 5 m, automatic return
- ▶ Approach direction A (delivery state)

Non-contact safety switch CET-AR-..., RC18, with wire front release (bowden) and escape release



113023

CET3-AR-CRA-AH-50F-SH-C2353-113023

- ▶ Safety switch with guard locking and integrated evaluation electronics
- ▶ Locking force up to 6500 N
- ▶ Up to 20 switches in series
- ▶ Short circuit monitoring
- ▶ 2 safety outputs (semiconductor outputs)
- ▶ Category 4 / PL e according to EN ISO 13849-1
- ▶ Plug connector M23 (RC18)
- ▶ Unicode
- ▶ Door monitoring output
- ▶ Teach-in input
- ▶ With wire front release (bowden), 3 m, automatic return
- ▶ With escape release, 105 mm long
- ▶ Approach direction A (delivery state)

CTP-AR

Transponder-coded safety switch CTP-AR, 2 x M12



123307

CTP-L1-AR-M-HA-AZ-SAB-123307

- ▶ Safety switch with guard locking and integrated evaluation electronics
- ▶ Up to 20 switches in series
- ▶ Short circuit monitoring
- ▶ 2 safety outputs (semiconductor outputs)
- ▶ Up to category 4 / PL e according to EN ISO 13849-1
- ▶ With 2 plug connectors M12
- ▶ Multicode
- ▶ Door monitoring output
- ▶ Approach directions A, B and C (delivery state)

122814

CTP-L2-AR-U-HA-AZ-SAB-122814



- ▶ Safety switch with guard locking and integrated evaluation electronics
- ▶ Up to 20 switches in series
- ▶ Short circuit monitoring
- ▶ 2 safety outputs (semiconductor outputs)
- ▶ Up to category 4 / PL e according to EN ISO 13849-1
- ▶ With 2 plug connectors M12
- ▶ Unicode
- ▶ Door monitoring output
- ▶ Approach directions A, B and C (delivery state)

122812

CTP-L1-AR-U-HA-AZ-SAB-122812



- ▶ Safety switch with guard locking and integrated evaluation electronics
- ▶ Up to 20 switches in series
- ▶ Short circuit monitoring
- ▶ 2 safety outputs (semiconductor outputs)
- ▶ Up to category 4 / PL e according to EN ISO 13849-1
- ▶ With 2 plug connectors M12
- ▶ Unicode
- ▶ Door monitoring output
- ▶ Approach directions A, B and C (delivery state)

123361

CTP-L2-AR-M-HA-AZ-SAB-123361



- ▶ Safety switch with guard locking and integrated evaluation electronics
- ▶ Up to 20 switches in series
- ▶ Short circuit monitoring
- ▶ 2 safety outputs (semiconductor outputs)
- ▶ Up to category 4 / PL e according to EN ISO 13849-1
- ▶ With 2 plug connectors M12
- ▶ Multicode
- ▶ Door monitoring output
- ▶ Approach directions A, B and C (delivery state)

Transponder-coded safety switch CTP-AR, 2 x M12, with escape release

122813

CTP-L1-AR-U-HA-AE-SAB-122813



- ▶ Safety switch with guard locking and integrated evaluation electronics
- ▶ Up to 20 switches in series
- ▶ Short circuit monitoring
- ▶ 2 safety outputs (semiconductor outputs)
- ▶ Up to category 4 / PL e according to EN ISO 13849-1
- ▶ With 2 plug connectors M12
- ▶ Unicode
- ▶ Door monitoring output
- ▶ With escape release
- ▶ Approach directions A, B and C (delivery state)

123308

CTP-L1-AR-M-HA-AE-SAB-123308



- ▶ Safety switch with guard locking and integrated evaluation electronics
- ▶ Up to 20 switches in series
- ▶ Short circuit monitoring
- ▶ 2 safety outputs (semiconductor outputs)
- ▶ Up to category 4 / PL e according to EN ISO 13849-1
- ▶ With 2 plug connectors M12
- ▶ Multicode
- ▶ Door monitoring output
- ▶ With escape release
- ▶ Approach directions A, B and C (delivery state)

Transponder-coded safety switch CTP-AR, M23

123369

CTP-L2-AR-M-HA-AZ-SH-123369



- ▶ Safety switch with guard locking and integrated evaluation electronics
- ▶ Up to 20 switches in series
- ▶ Short circuit monitoring
- ▶ 2 safety outputs (semiconductor outputs)
- ▶ Up to category 4 / PL e according to EN ISO 13849-1
- ▶ With plug connector M23
- ▶ Multicode
- ▶ Door monitoring output
- ▶ Approach directions A, B and C (delivery state)

123366

CTP-L2-AR-U-HA-AZ-SH-123366



- ▶ Safety switch with guard locking and integrated evaluation electronics
- ▶ Up to 20 switches in series
- ▶ Short circuit monitoring
- ▶ 2 safety outputs (semiconductor outputs)
- ▶ Up to category 4 / PL e according to EN ISO 13849-1
- ▶ With plug connector M23
- ▶ Unicode
- ▶ Door monitoring output
- ▶ Approach directions A, B and C (delivery state)

123363

CTP-L1-AR-M-HA-AZ-SH-123363



- ▶ Safety switch with guard locking and integrated evaluation electronics
- ▶ Up to 20 switches in series
- ▶ Short circuit monitoring
- ▶ 2 safety outputs (semiconductor outputs)
- ▶ Up to category 4 / PL e according to EN ISO 13849-1
- ▶ With plug connector M23
- ▶ Multicode
- ▶ Door monitoring output
- ▶ Approach directions A, B and C (delivery state)

123362

CTP-L1-AR-U-HA-AZ-SH-123362



- ▶ Safety switch with guard locking and integrated evaluation electronics
- ▶ Up to 20 switches in series
- ▶ Short circuit monitoring
- ▶ 2 safety outputs (semiconductor outputs)
- ▶ Up to category 4 / PL e according to EN ISO 13849-1
- ▶ With plug connector M23
- ▶ Unicode
- ▶ Door monitoring output
- ▶ Approach directions A, B and C (delivery state)

Transponder-coded safety switch CTP-AR, M23, with escape release

123374

CTP-L1-AR-M-HA-AE-SH-123374



- ▶ Safety switch with guard locking and integrated evaluation electronics
- ▶ Up to 20 switches in series
- ▶ Short circuit monitoring
- ▶ 2 safety outputs (semiconductor outputs)
- ▶ Up to category 4 / PL e according to EN ISO 13849-1
- ▶ With plug connector M23
- ▶ Multicode
- ▶ Door monitoring output
- ▶ With escape release
- ▶ Approach directions A, B and C (delivery state)

123373

CTP-L1-AR-U-HA-AE-SH-123373



- ▶ Safety switch with guard locking and integrated evaluation electronics
- ▶ Up to 20 switches in series
- ▶ Short circuit monitoring
- ▶ 2 safety outputs (semiconductor outputs)
- ▶ Up to category 4 / PL e according to EN ISO 13849-1
- ▶ With plug connector M23
- ▶ Unicode
- ▶ Door monitoring output
- ▶ With escape release
- ▶ Approach directions A, B and C (delivery state)

Connection material

Connection kit for evaluation units CES-AZ-.ES-04B and CES-AR-AES-12, screw terminals



104776

CES-EA-TC-AK08-104776

- ▶ Plug-in screw terminals for evaluation units CES-AZ-.ES-04B and CES-AR-AES-12
- ▶ Coded
- ▶ 8 screw terminals included

Connection kit for evaluation units CES-AZ-.ES-04B and CES-AR-AES-12, spring terminals



112629

CES-EA-TC-KK08-112629

- ▶ Plug-in spring terminals for evaluation units CES-AZ-.ES-04B and CES-AR-AES-12
- ▶ Coded
- ▶ 8 spring terminals included