

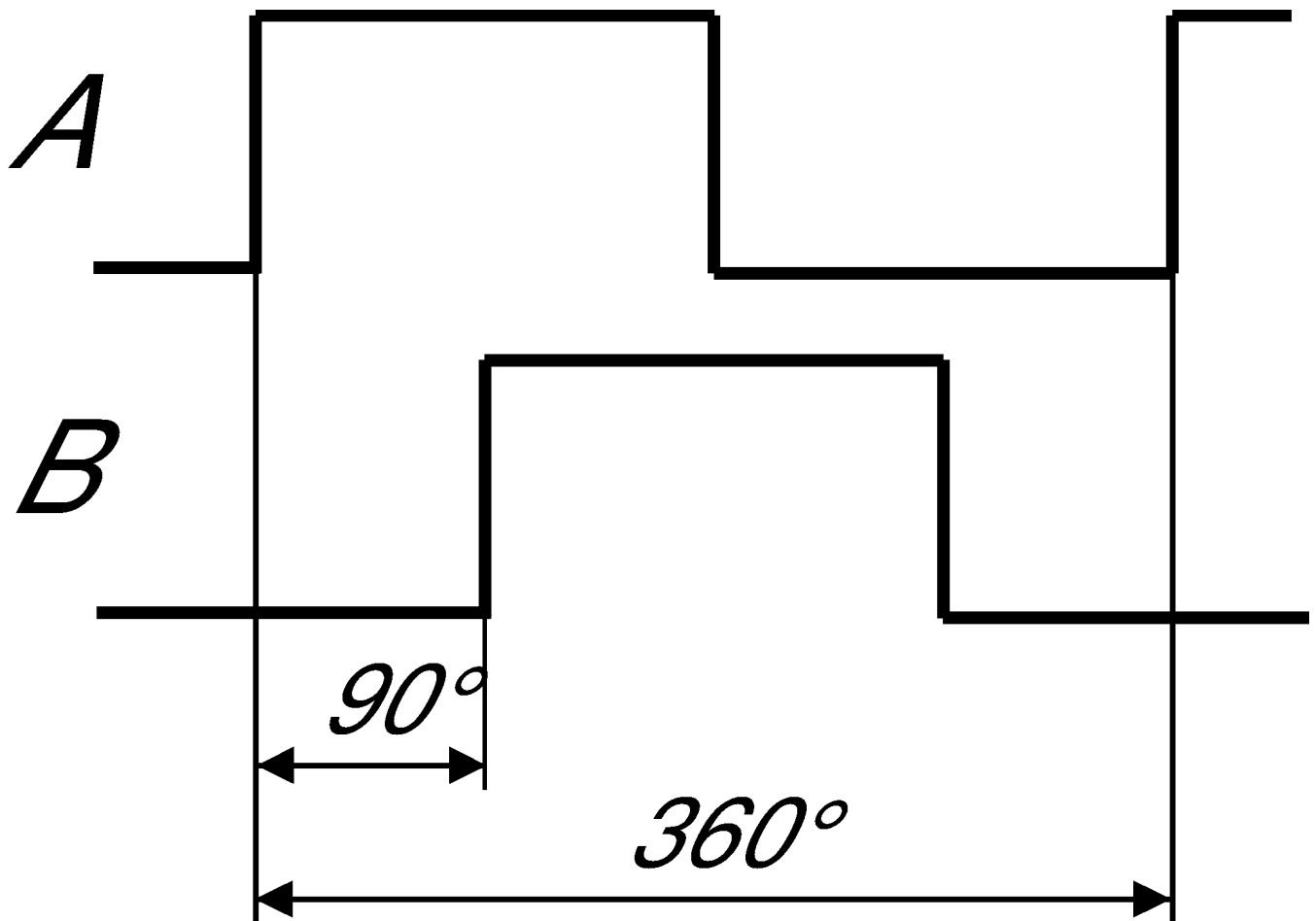
## HKC025S100G12 (Order no. 072940)

### Handwheel HKC

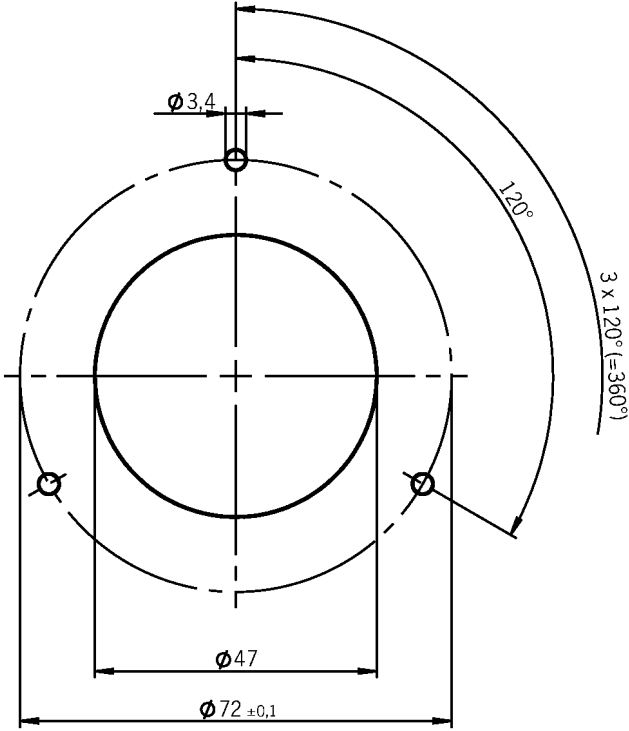
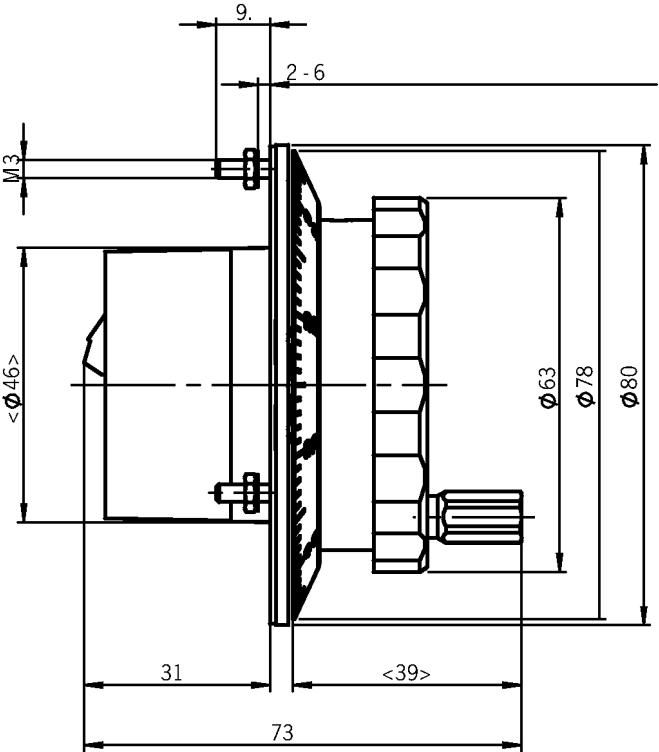
- ▶ 100 detents per revolution
- ▶ Wear-free magnetic detent mechanism
- ▶ 25 pulses per revolution
- ▶ Flat design



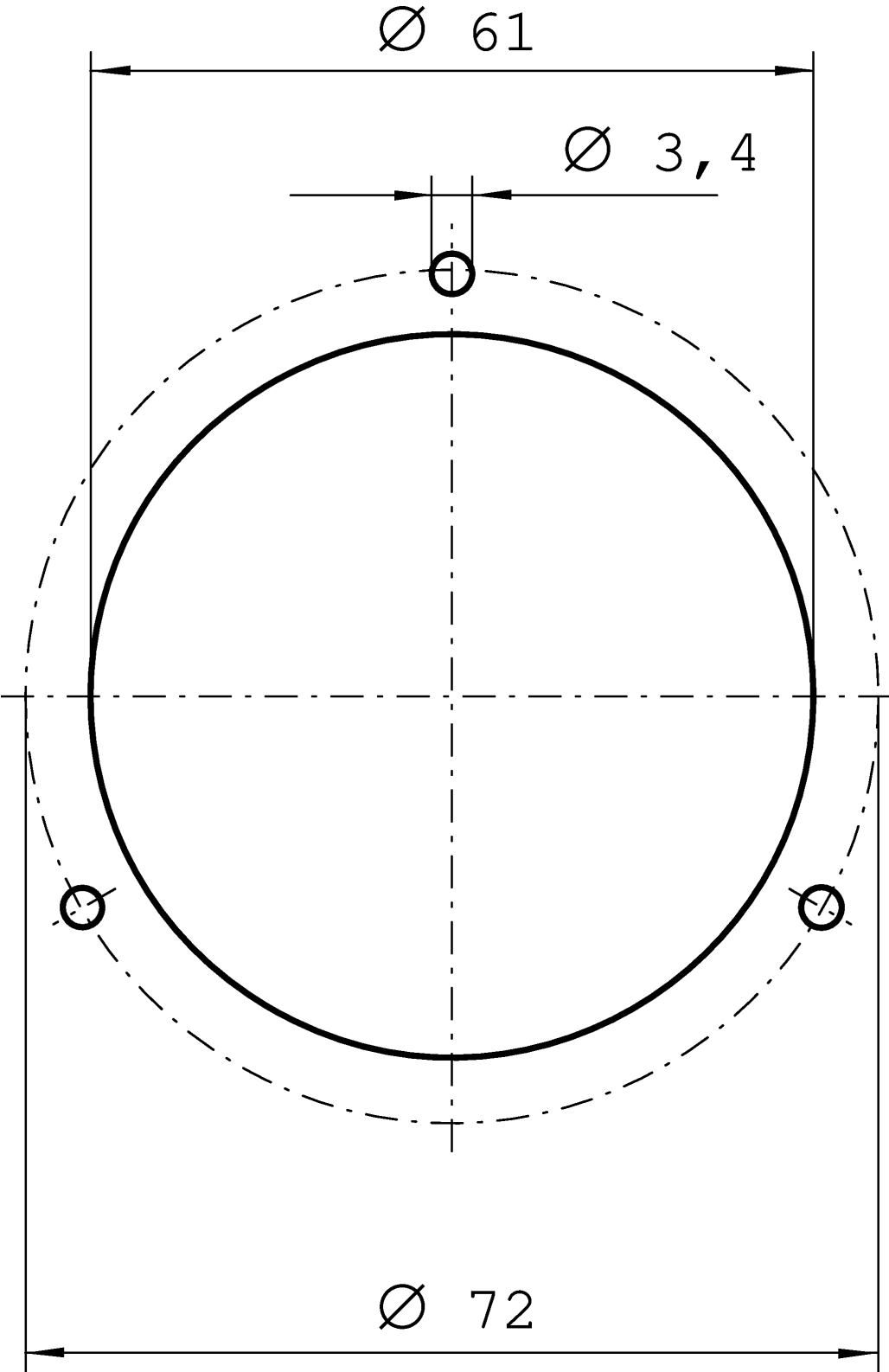
### Functional drawings



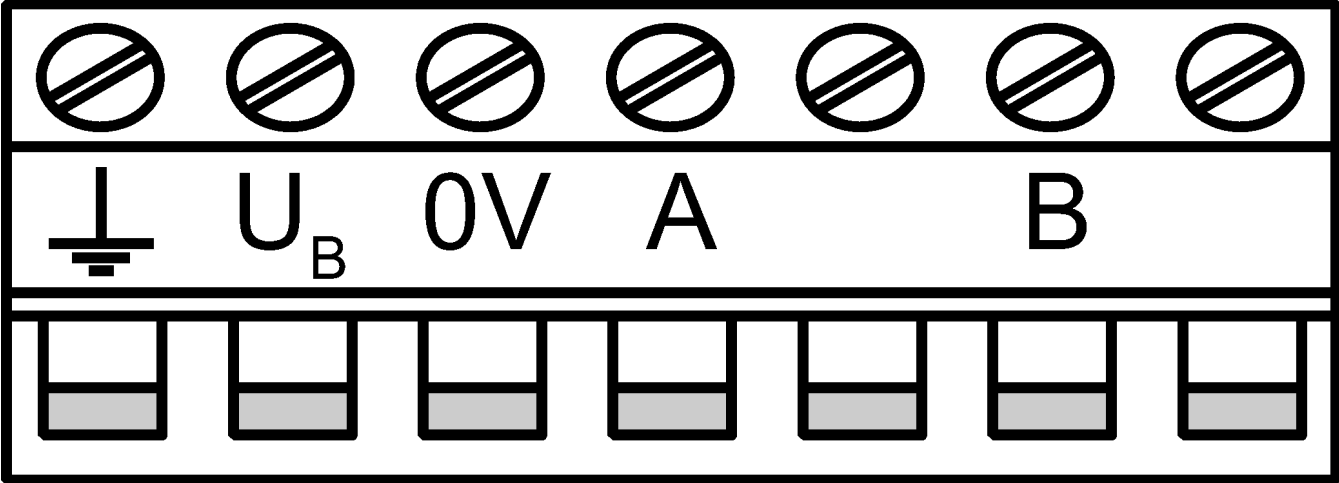
**Dimensional drawings**



Dimensional drawings



Connection examples



## Technical data

### Approvals



### Electrical connection values

Connection cross section	0.08 ... 1.5 mm <sup>2</sup>
Connection cross section AWG	28 ... 16 AWG
Output type	Push-pull
Output voltage	
	HIGH(1) min. 3.9 V DC at 5 mA
	HIGH(1) min. 3.6 V DC at 20 mA
	HIGH(1) min. 4.9 V DC at 0 mA
	LOW(0) max. 1.3 V DC at 15 mA
Operating voltage DC	10 ... 30 V DC
EMC protection requirements	
	according to CE EN 61000-6-2, EN 61000-6-4
Pulses per revolution	2x25
Current consumption	
	without load max. 80 mA

### Mechanical values and environment

Connection type	Screw terminal, 7-pin
Tightening torque	max. 0.25 Nm
Atmospheric humidity	
	(condensation not permissible) 80 % rH
Detent positions per revolution	100
Shock and vibration resistance	according to EN 60068-2-27/-2-6
Degree of protection	
	IP65
	(on the front)
	according to NEMA

250-12  
(on the front)

Ambient temperature	0 ... +50 °C
---------------------	--------------

Material	Aluminum
----------	----------

## Miscellaneous

Detent mechanism	Magnetic
------------------	----------

## Downloads

All documentation for this material can be found on our website:

<https://www.euchner-usa.com/en-us/a/072940/?#downloads-tab>

**Ordering data**

Ordernumber	072940
Item designation	HKC025S100G12
Gross weight	0,374kg
Customs tariff number	85365019000
ECLASS	27-24-23-07 Command-, control-, signal appliance