

LCA-2TR-2B-510-AP-156671 (Order no. 156671)

Light grid LCA-2TR-2B-510

- ▶ 2 beams
- ▶ Protective field height 510 mm
- ▶ Range 12 m
- ▶ With plug connector M12
- ▶ 2 safety outputs (OSSD)
- ▶ Installation material is included with the product



Protective function



access control

LED function display



Transmitter



Receiver

LED OK Normal operation

LED ERROR Fault state

LED STOP Stop state

LED TEST Test function

LED START Start/restart

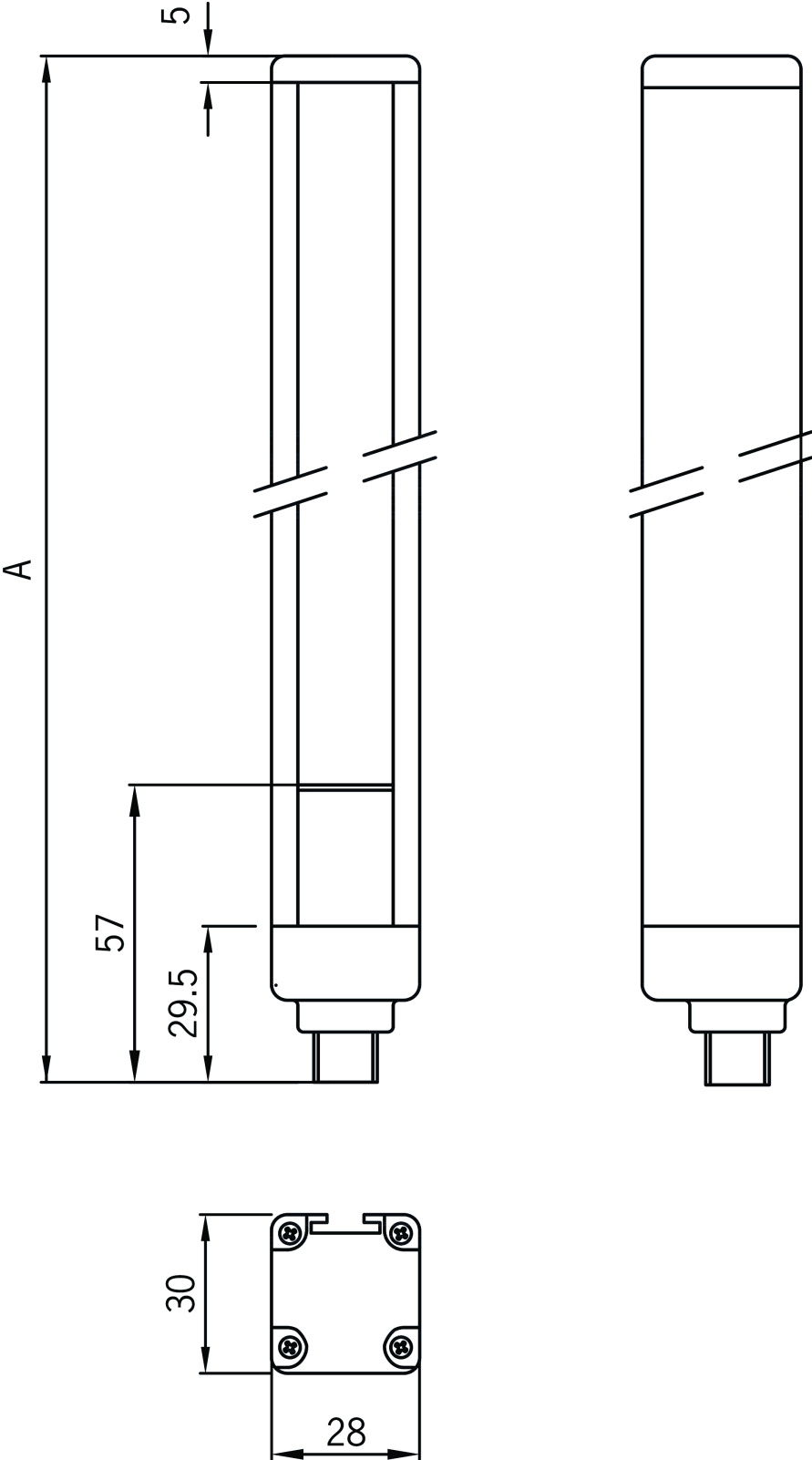
Connector assignment, transmitter

Plug connector (view of connection side)	Pin	Designation	Function	Connecting cable conductor coloring
	1	24 V DC	Operating voltage, 24 V DC	BN
	2	RANGE 0	Device configuration, corresponds to the standard EN 61131-2	WH
	3	0 V DC	Operating voltage, 0 V DC	BU
	4	RANGE 1	Device configuration, corresponds to the standard EN 61131-2	BK
	5	FE	Functional earth (must be connected to meet the EMC requirements)	GY

Connector assignment, receiver

Plug connector (view of connection side)	Pin	Designation	Function	Connecting cable conductor coloring
	1	FO1A	Safety output, channel 1	WH
	2	24 V DC	Operating voltage, 24 V DC	BN
	3	FO1B	Safety output, channel 2	GN
	4	K1_K2/ RESTART	Feedback external contactors	YE
	5	SEL_A	Device configuration	GY
	6	SEL_B	Device configuration	PK
	7	0 V DC	Operating voltage, 0 V DC	BU
	8	FE	Functional earth (must be connected to meet the EMC requirements)	RD

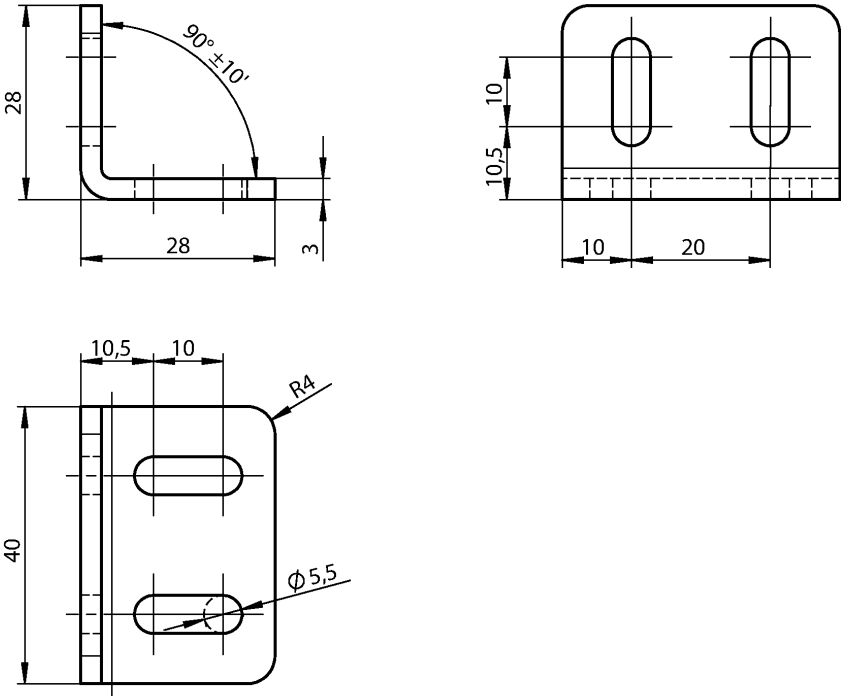
Dimensional drawings



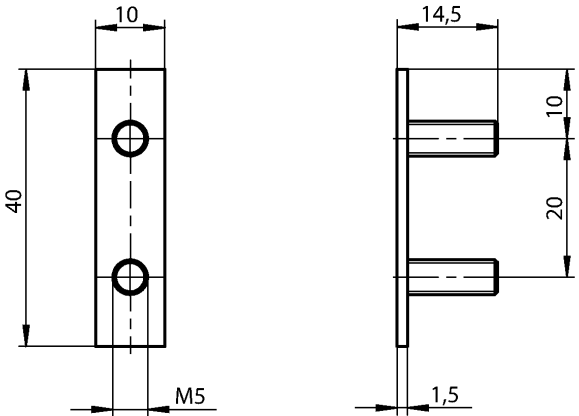
A = Height of the sensor (see technical data)

Dimensional drawings

A:



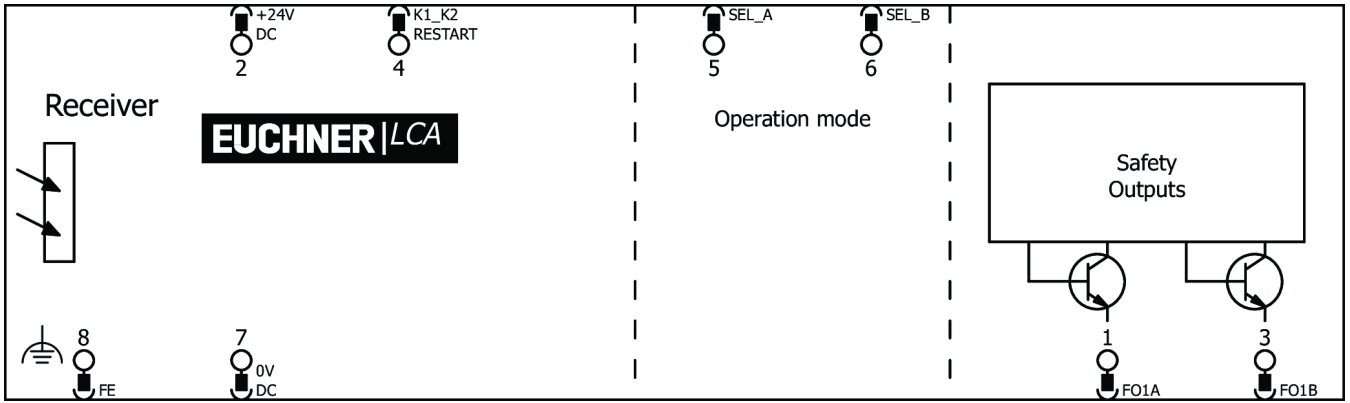
B:



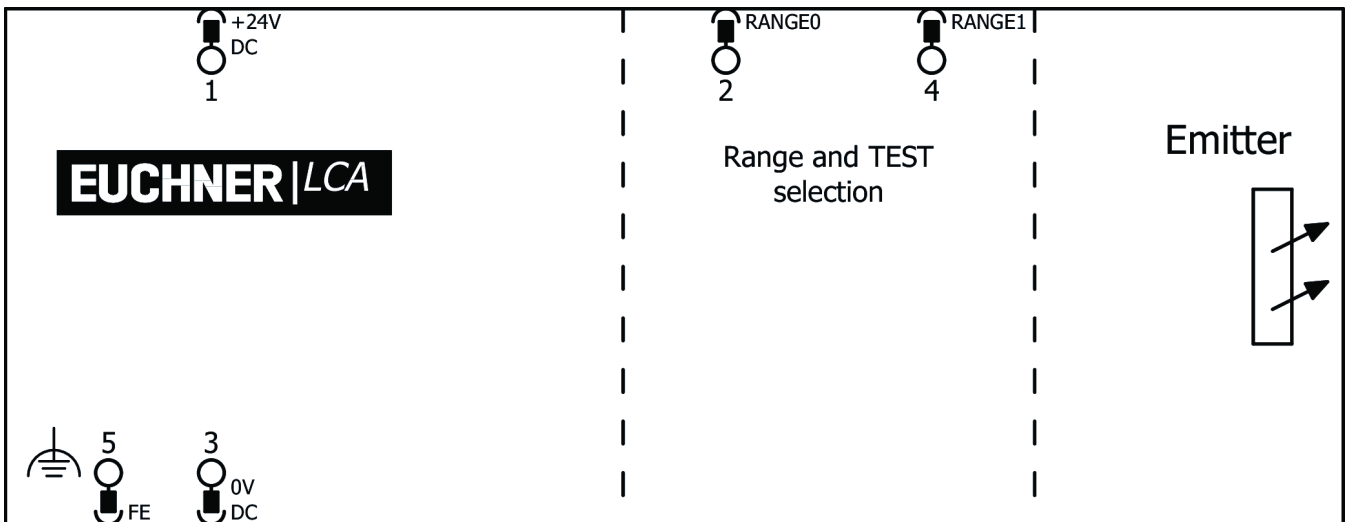
A Fastening bracket

B Mounting plate

Connection examples



Connection examples



Technical data

Approvals



Operating and display elements

LED display	yes (Self-diagnostics and status)
-------------	--------------------------------------

Electrical connection values

Receiver power consumption	2 W
Transmitter power consumption	1 W
Operating voltage DC	24 V DC -20% ... +20%
Cascadable	no
Muting possible	in combination with external sensors and an evaluation unit
Current consumption	400 mA

Mechanical values and environment

Dimensions	28x30 mm (in cross-section)
Connection type	Plug connector M12 (5-pin transmitter/8-pin receiver)
Number of safety outputs	2 static, self-monitoring PNP safety outputs (with short-circuit and overload protection)
Number of beams	2
Installation orientation	any (Optional: adjustable holders)
Height of the protective field	510 mm
Height of the sensor	653 mm
maximum length of connecting cables	100 m
Response time	3 ms
Range of the protective field	12000 mm
Degree of protection	IP65/IP67
Ambient temperature	-30 ... +55 °C

Downloads

All documentation for this material can be found on our website:

<https://www.euchner-usa.com/en-us/a/156671/?#downloads-tab>

Ordering data

Ordernumber	156671
Item designation	LCA-2TR-2B-510-AP-156671
Gross weight	1,987kg
Customs tariff number	85365019000
ECLASS	27-27-09-10 Light curtain

Accessories

Connection accessories

Connecting cable with 2 plug connectors M12, 5-pin, 10 m



119947
C-M12F05-05X034PU10,0-M12M05-119947

- ▶ M12 female plug to M12 plug connector, 5-pin
- ▶ Straight female plug and plug connector
- ▶ PUR cable
- ▶ Cable length 10 m



100181
C-M12F05-05X034PV10,0-M12M05-100181

- ▶ M12 female plug to M12 plug connector, 5-pin
- ▶ Straight female plug and plug connector
- ▶ PVC cable
- ▶ Cable length 10 m

Connecting cable with 2 plug connectors M12, 5-pin, 20 m



119971
C-M12F05-05X034PU20,0-M12M05-119971

- ▶ M12 female plug to M12 plug connector, 5-pin
- ▶ Straight female plug and plug connector
- ▶ PUR cable
- ▶ Cable length 20 m



100182
C-M12F05-05X034PV20,0-M12M05-100182

- ▶ M12 female plug to M12 plug connector, 5-pin
- ▶ Straight female plug and plug connector
- ▶ PVC cable
- ▶ Cable length 20 m

Connecting cable with 2 plug connectors M12, 5-pin, 5 m



119932
C-M12F05-05X034PU05,0-M12M05-119932

- ▶ M12 female plug to M12 plug connector, 5-pin
- ▶ Straight female plug and plug connector
- ▶ PUR cable
- ▶ Cable length 5 m



100180
C-M12F05-05X034PV05,0-M12M05-100180

- ▶ M12 female plug to M12 plug connector, 5-pin
- ▶ Straight female plug and plug connector
- ▶ PVC cable
- ▶ Cable length 5 m

Connecting cable with 2 plug connectors M12, 8-pin, 1 m



123430
C-M12M08-08X025PV01,0-M12F08-123430

- ▶ 8-pin M12 male plug, straight
- ▶ 8-pin M12 female plug, straight
- ▶ PVC cable
- ▶ Cable length 1 m

Connecting cable with 2 plug connectors M12, 8-pin, 10 m



123433
C-M12M08-08X025PV10,0-M12F08-123433

- ▶ 8-pin M12 male plug, straight
- ▶ 8-pin M12 female plug, straight
- ▶ PVC cable
- ▶ Cable length 10 m

Connecting cable with 2 plug connectors M12, 8-pin, 2 m



123431

C-M12M08-08X025PV02,0-M12F08-123431

- ▶ 8-pin M12 male plug, straight
- ▶ 8-pin M12 female plug, straight
- ▶ PVC cable
- ▶ Cable length 2 m

Connecting cable with 2 plug connectors M12, 8-pin, 5 m



123432

C-M12M08-08X025PV05,0-M12F08-123432

- ▶ 8-pin M12 male plug, straight
- ▶ 8-pin M12 female plug, straight
- ▶ PVC cable
- ▶ Cable length 5 m

Connecting cable with plug connector M12, 8-pin, 10 m



100178

C-M12F08-08X025PV10,0-MA-100178

- ▶ M12 female plug, 8-pin
- ▶ Straight plug connector
- ▶ PVC cable
- ▶ Cable length 10 m
- ▶ With flying lead



115113

C-M12F08-08X025PU10,0-MA-115113

- ▶ M12 female plug, 8-pin
- ▶ Straight plug connector
- ▶ PUR cable
- ▶ Cable length 10 m
- ▶ With flying lead

Connecting cable with plug connector M12, 8-pin, 20 m



100179

C-M12F08-08X025PV20,0-MA-100179

- ▶ M12 female plug, 8-pin
- ▶ Straight plug connector
- ▶ PVC cable
- ▶ Cable length 20 m
- ▶ With flying lead



115114

C-M12F08-08X025PU20,0-MA-115114

- ▶ M12 female plug, 8-pin
- ▶ Straight plug connector
- ▶ PUR cable
- ▶ Cable length 20 m
- ▶ With flying lead

Connecting cable with plug connector M12, 8-pin, 30 m



115116

C-M12F08-08X025PV30,0-MA-115116

- ▶ M12 female plug, 8-pin
- ▶ Straight plug connector
- ▶ PVC cable
- ▶ Cable length 30 m
- ▶ With flying lead



115257

C-M12F08-08X025PU30,0-MA-115257

- ▶ M12 female plug, 8-pin
- ▶ Straight plug connector
- ▶ PUR cable
- ▶ Cable length 30 m
- ▶ With flying lead

Connecting cable with plug connector M12, 8-pin, 5 m



115112

C-M12F08-08X025PU05,0-MA-115112

- ▶ M12 female plug, 8-pin
- ▶ Straight plug connector
- ▶ PUR cable
- ▶ Cable length 5 m
- ▶ With flying lead



100177

C-M12F08-08X025PV05,0-MA-100177

- ▶ M12 female plug, 8-pin
- ▶ Straight plug connector
- ▶ PVC cable
- ▶ Cable length 5 m
- ▶ With flying lead

Connecting cable with straight plug connector M12, 5-pin, 10 m



100184

C-M12F05-05X034PV10,0-MA-100184

- ▶ M12 female plug, 5-pin
- ▶ Straight plug connector
- ▶ PVC cable
- ▶ Cable length 10 m
- ▶ With flying lead



113640

C-M12F05-05X034PU10,0-MA-113640

- ▶ M12 female plug, 5-pin
- ▶ Straight plug connector
- ▶ PUR cable
- ▶ Cable length 10 m
- ▶ With flying lead

Connecting cable with straight plug connector M12, 5-pin, 20 m



100185

C-M12F05-05X034PV20,0-MA-100185

- ▶ M12 female plug, 5-pin
- ▶ Straight plug connector
- ▶ PVC cable
- ▶ Cable length 20 m
- ▶ With flying lead



113682

C-M12F05-05X034PU20,0-MA-113682

- ▶ M12 female plug, 5-pin
- ▶ Straight plug connector
- ▶ PUR cable
- ▶ Cable length 20 m
- ▶ With flying lead

Connecting cable with straight plug connector M12, 5-pin, 30 m



122784

C-M12F05-05X034PU30,0-MA-122784

- ▶ M12 female plug, 5-pin
- ▶ Straight plug connector
- ▶ PUR cable
- ▶ Cable length 30 m
- ▶ With flying lead

Connecting cable with straight plug connector M12, 5-pin, 5 m



113620

C-M12F05-05X034PU05,0-MA-113620

- ▶ M12 female plug, 5-pin
- ▶ Straight plug connector
- ▶ PUR cable
- ▶ Cable length 5 m
- ▶ With flying lead



100183

C-M12F05-05X034PV05,0-MA-100183

- ▶ M12 female plug, 5-pin
- ▶ Straight plug connector
- ▶ PVC cable
- ▶ Cable length 5 m
- ▶ With flying lead

Function expansion

Deflection mirror for protective field height 610 mm or 2 beam light grids



156906

AE-OS-S-610-156906

- ▶ Deflection mirror with adjustable holder for light grids and light curtains LCA
- ▶ For protective field height 610 mm or 2 beams

Mounting pillar with 2 deflection mirrors for light grids with 2 beams



156899

AE-OS-SC-2B-156899

- ▶ Mounting pillar with 2 deflection mirrors for light grids
- ▶ For protective field heights with 2 beams
- ▶ Protects against damage
- ▶ Straightforward adjustment using spherical circular level in the cover

Mounting pillar with deflection mirror for protective field heights from 160 – 610 mm or for 2 beam light grids



156894

AE-OS-SC-1000-156894

- ▶ Mounting pillar with deflection mirror for light grids and light curtains LCA
- ▶ For protective field heights of 160 – 610 mm or for 2 beams
- ▶ Protects against damage
- ▶ Straightforward adjustment using spherical circular level in the cover

Mounting accessories

4 x adjustable holder



156919

AM-OS-B-A1-V04-156919

- ▶ Set of 4 holders for light grids and light curtains LCA
- ▶ For protective field heights up to 1210 mm
- ▶ Adjustable horizontally / vertically
- ▶ Quick mounting using two screws
- ▶ Can be mounted directly on LCA

4 x adjustable holder 180°



156921

AM-OS-B-A2-V04-156921

- ▶ Set of 4 holders for light grids and light curtains LCA
- ▶ Can be rotated by 180°
- ▶ Adjustable horizontally / vertically
- ▶ Quick mounting using two screws
- ▶ Can be mounted directly on LCA

8 x vibration damper for protective field heights from 310 – 1,060 mm



156917

AM-OS-D-V08-156917

- ▶ Vibration damper for light grids and light curtains LCA
- ▶ For protective field heights 310 – 1060 mm
- ▶ Packaging unit 8 pcs.
- ▶ For reducing vibration
- ▶ Protects against damage
- ▶ Installation either on the product or on mounting pillar

Mounting pillar for protective field heights from 160 – 610 mm or 2 beam light grids



156886

AM-OS-C-A1-1000-156886

- ▶ Mounting pillar for light grids and light curtains LCA
- ▶ For protective field heights of 160 – 610 mm or for 2 beams
- ▶ Protects against damage
- ▶ Straightforward adjustment using spherical circular level in the cover

Mounting pillar with cable gland for protective field heights from 160 – 610 mm or for 2-beam light grids



156890

AM-OS-C-A1-M-1000-156890

- ▶ Mounting pillar for light grids and light curtains LCA
- ▶ For protective field heights of 160 – 610 mm or for 2 beams
- ▶ With integrated cable gland PG11
- ▶ Protects against damage
- ▶ Straightforward adjustment using spherical circular level in the cover

Socket for mounting pillars 202 x 224 x 34 mm



156885

AM-OS-P-AB-156885

- ▶ Socket for mounting pillars
- ▶ Adjustable via adjusting screws
- ▶ Height 34 mm

Socket for mounting pillars 202 x 224 x 55 mm



156884

AM-OS-P-AA-156884

- ▶ Socket for mounting pillars
- ▶ Spring-mounted floor plate made of steel
- ▶ Improved compensation of unevenness
- ▶ Adjustable via adjusting screws
- ▶ Height 55 mm

miscellaneous accessories

Laser alignment aid



156915

AY-OS-LSR-156915

- ▶ Laser alignment aid for light grids and light curtains LCA
- ▶ Light source: laser diode – wavelength 650 nm
- ▶ Laser class 2
- ▶ Usable range 100 m
- ▶ Straightforward clamping on the transmitter