

MGB2-H-BA1A1-L-156396 (Order no. 156396)

Handle module MGB2-H... (door handle, door hinge on left)

- ▶ Intelligent bolt tongue
- ▶ Fold-out lockout mechanism
- ▶ Door handle
- ▶ Adjustable door hinge; factory setting: left



Bolt tongue

The bolt tongue is safely detected by a transponder as soon as it is inserted into the evaluation module.

Lockout mechanism (fold-out)

For cleaning and service on the machine, the bolt tongue can be locked with max. 3 padlocks using the fold-out lockout mechanism. In this way the operation of the handle is prevented in the locked state. Additionally, the optional lockout mechanism that extends automatically on the actuation of the handle can be used for 3 more padlocks.

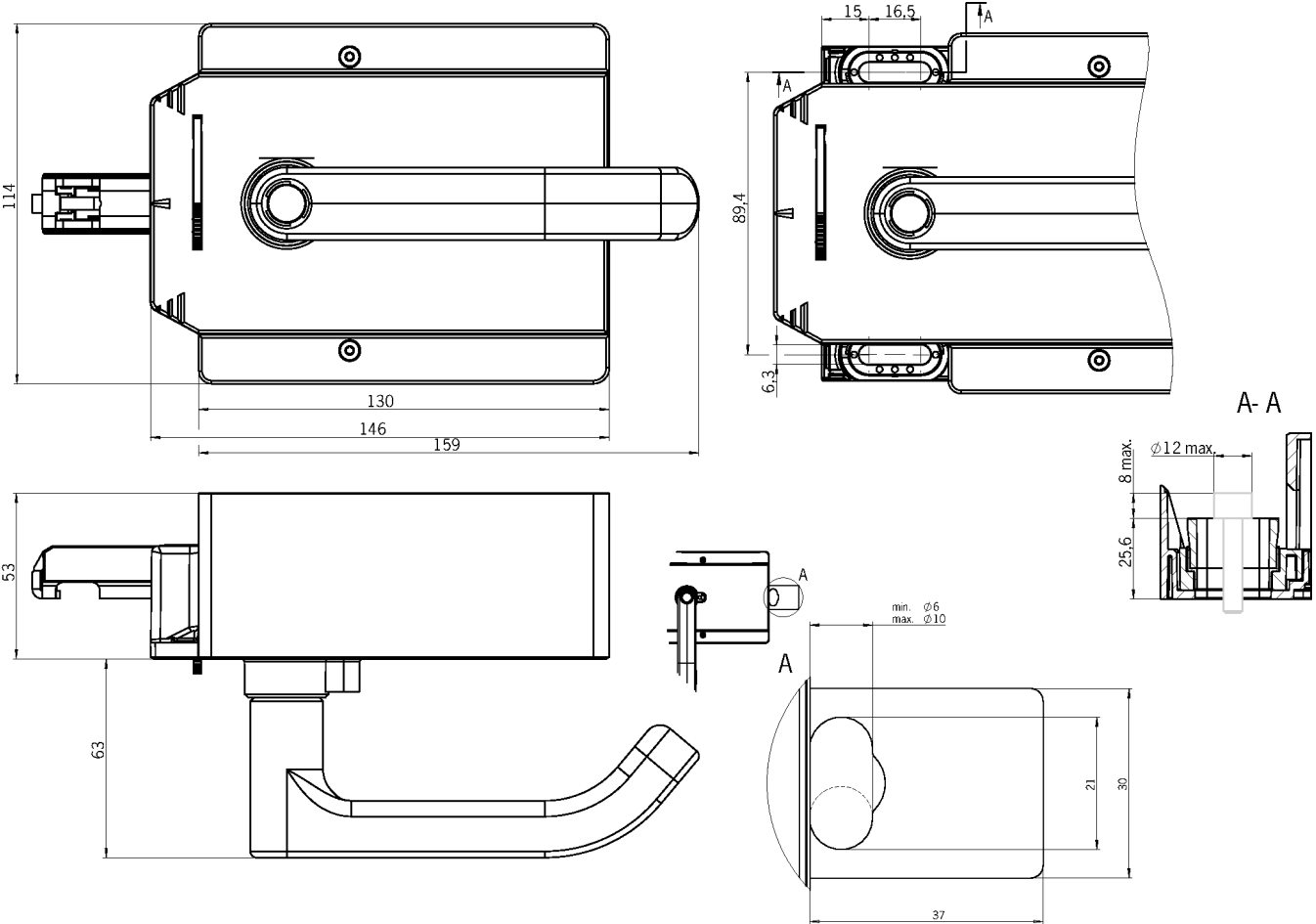
Door handle

The MGB2 has a robust door handle that can be rotated in 90° steps to suit all installations. The actuating direction can be changed very easily for doors hinged on the left or right.

Door knob

As an alternative to the door handle, the handle module can also be equipped or retrofitted with a door knob.

Dimensional drawings



Technical data

Approvals



Mechanical values and environment

Installation orientation	Door hinge DIN left
--------------------------	---------------------

Degree of protection	IP65
----------------------	------

Ambient temperature	-30 ... +55 °C
---------------------	----------------

Material

Housing	Fiber glass reinforced plastic, nickel-plated die-cast zinc, stainless steel
---------	--

Miscellaneous

Product version number	V1.0.0
------------------------	--------

Downloads

All documentation for this material can be found on our website:

<https://www.euchner.de/en-us/a/156396/?#downloads-tab>

Ordering data

Ordernumber	156396
Item designation	MGB2-H-BA1A1-L-156396
Gross weight	1,202kg
Customs tariff number	85389099990
ECLASS	27-27-24-04 Actuator for safety-related proximity switch

Accessories

Function expansion

Door handle for AE-R.../MGBS-H.../MGB2-H..., silver colored



156944
AY-DHL-S1-156944

- ▶ for mounting on all MGB2 handle modules MGB2-H...
- ▶ for mounting on all MGBS handle modules MGBS-H...
- ▶ Aluminum, silver anodized

Door knob for AE-R.../MGBS-H.../MGB2-H..., silver colored



157017
AY-DKB-S1-157017

- ▶ for mounting on all MGB2 handle modules MGB2-H...
- ▶ for mounting on all MGBS handle modules MGBS-H...
- ▶ e.g. on sliding doors
- ▶ Aluminum, silver anodized

Escape release MGB-E-A...



100465
MGB-E-A-100465

- ▶ Escape release from the danger zone
- ▶ Signal red door handle
- ▶ Designed for door profiles up to 40 mm
- ▶ Extended actuation axis for thicker doors (available optionally)



163885
MGB-E-A4-163885

- ▶ Escape release from the danger zone
- ▶ Signal red door handle
- ▶ Designed for door profiles up to 45 mm
- ▶ Extended actuation axis for thicker doors (available optionally)

Escape release MGB-E-A7...



117126
MGB-E-A7-117126

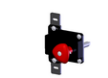
- ▶ Escape release from the danger zone
- ▶ Signal red door knob
- ▶ Designed for door profiles up to 40 mm
- ▶ Extended actuation axis for thicker doors (available optionally)

Escape release module MGB-E... pre-assembled on mounting plate



106051
MGB-E-A2-106051

- ▶ Escape release from the danger zone
- ▶ Mounted on mounting plate
- ▶ Signal red door handle
- ▶ Designed for door profiles up to 40 mm
- ▶ Extended actuation axis for thicker doors (available optionally)



126320
MGB-E-A8-126320

- ▶ Escape release from the danger zone
- ▶ Mounted on mounting plate
- ▶ Signal red door knob
- ▶ Designed for door profiles up to 40 mm
- ▶ Extended actuation axis for thicker doors (available optionally)

Mounting accessories

Mounting plate for handle module MGB2-H...



156683

AM-P-H-156683

- ▶ For handle module MGB2-H
- ▶ Easy and quick mounting
- ▶ Quick module replacement
- ▶ Steel, powder coated
- ▶ Suitable for doors hinged on the right and left
- ▶ incl. screw set