

CIA3SX1R1G08 (Order no. 077910)

Read/write interface adapter CIA3SX1R1G08

- ▶ Serial interface RS232/RS422
- ▶ In combination with read head CIT3ASX1N12ST
- ▶ Rail mounting



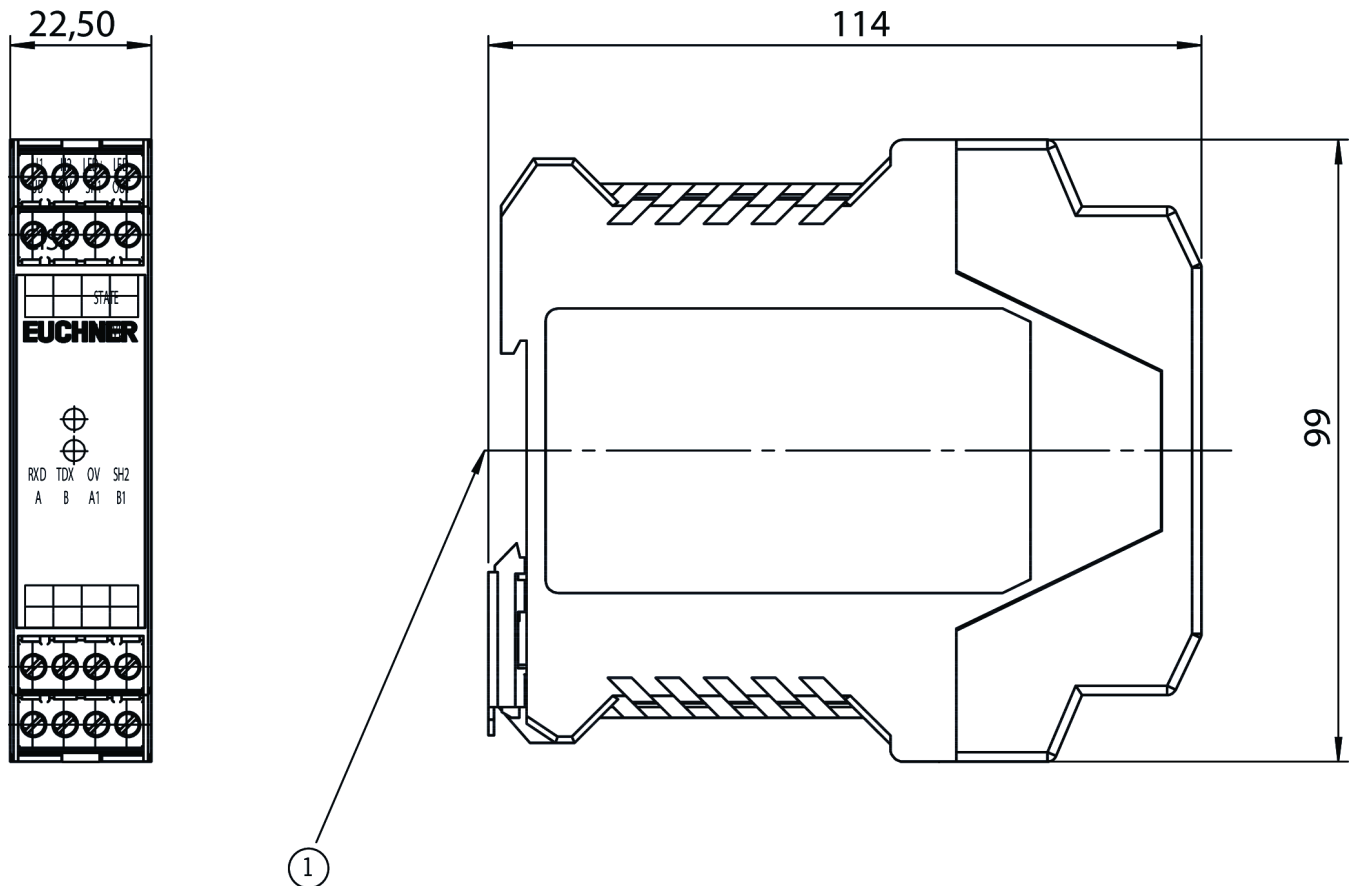
Serial interface

The individual commands for reading and writing the data carrier are in accordance with the common 3964R protocol and are described in the EUCHNER CIS3 system manual (order no. 084 727). For data carrier programming away from the system, a convenient WINDOWS[®]-compatible PC software application is available (Transponder Coding software)

Attention:

- ▶ On the use of a screened cable, the connecting cable for the serial interface is allowed to be max. 5 m long for RS232 and max. 1,000 m long for RS422.
- ▶ On the use of a screened cable the connecting cable to the write/read head is allowed to be max. 15 m long.
- ▶ It is only ever possible to connect 1 read head per interface adapter.

Dimensional drawings



1 Suitable for 35 mm mounting rail according to DIN 46277

Connection examples

Bezeichnung	Beschreibung
0V/GND	Masse, DC 0 V
24 V/U _B	Spannungsversorgung, DC 24 V
TxD	Serielle Schnittstelle Senden
RxD	Serielle Schnittstelle Empfangen
A/TxD+	Serielle Schnittstelle Senden +
B/TxD-	Serielle Schnittstelle Senden -
A1/RxD+	Serielle Schnittstelle Empfangen +
B1/RxD-	Serielle Schnittstelle Empfangen -
OUT	Ausgang Datenträger aktiv, 24 V
SH2	Schirm Datenleitung

Connection examples

Bezeichnung	Beschreibung	Aderfarbe
H1	Antenne vom Lesekopf	BN
H2	Antenne vom Lesekopf	WH
LED +	LED vom Lesekopf	YE
LED -	LED vom Lesekopf	GN
SH1	Schirm vom Lesekopf	BK

Technical data

Operating and display elements

LED display

Green	STATE LED operational
Yellow	ACTIVE LED data carrier active

Electrical connection values

Connection cross section	0.14 ... 2.5 mm ²
Output current	10 mA
Operating voltage DC	20 ... 24 ... 28 V DC (All electrical connections must be isolated from the mains either by safety transformers according to IEC/EN 61558-2-6 with limitation of the output voltage in the event of a fault or by equivalent isolation measures.)
Current consumption	
	without load 65 ... 100 mA

Mechanical values and environment

Connection type	plug-in screw terminals
Number of read heads	max. 1
Cable length	max. 5 m with RS232, max. 1,000 m with RS422
Mounting type	Mounting rail 35 mm according to DIN EN 60715 TH35
Degree of protection	IP20
Ambient temperature	0 ... +55 °C
Material	
	Housing PA 6.6

Miscellaneous

Additional feature	
	Moisture test (not condensing) at +50 °C and 80% rel. h
	Shock – IEC60068-2-27 acceleration 30 g, 6 shocks per axis, 11 ms/half-sine
	Vibration – IEC60068-2-6, amplitude 1 mm, 10–55 Hz, 3 axes

Interface

Data protocol	3964R via RS232/RS422
Data rate	9600 ... 28800 kbit/s selectable via DIP switches

In combination with CIT3ASX1N12ST read/write head and CIS3AP10D05KH01K, CIS3AP10D05KH01K-P data carriers

Read distance	
with center offset m=0	

Read distance

- with center offset m=0 0 ... 3 ... 6.5 mm
(These values apply to non-flush installation of the read/write head and flush installation of the data carriers in a non-metallic environment.)
- with center offset m=0 0 ... 3 ... 6 mm
(These values apply to non-flush installation of the read/write head and flush installation of the data carriers in irons.)
- with center offset m=0 0 ... 3 ... 5 mm
(These values apply to non-flush installation of the read/write head and flush installation of the data carriers in aluminum.)

Center offset	
Write distance s = 3 mm	-2 ... 2 mm (These values apply to non-flush installation of the read/write head and the data carrier in a non-metallic environment.)
Read distance s = 3 mm	-2.5 ... 2.5 mm (These values apply to non-flush installation of the read/write head and the data carrier in a non-metallic environment.)

Write distance

- with center offset m=0 0 ... 3 ... 6 mm
(These values apply to non-flush installation of the read/write head and flush installation of the data carriers in non-metallic environments. For flush installation of the data carriers in iron, the value is max. 5.5 mm and in aluminum max. 4.5 mm.)

Downloads

All documentation for this material can be found on our website:

<https://www.euchner.de/en-us/a/077910/?#downloads-tab>

Ordering data

Ordernumber	077910
Item designation	CIA3SX1R1G08
Gross weight	0,205kg
Customs tariff number	85364110
ECLASS	27-28-04-01 Identification, RFID Reader

Accessories

Connection accessories

Connecting cable with plug connector M8, 4-pin, 10 m



084643

C-M08F04-04X025PV10,0-ES-084643

- ▶ M8 female plug, 4-pin
- ▶ Straight plug connector
- ▶ PVC cable
- ▶ Cable length 10 m
- ▶ With flying lead
- ▶ Knurled nut electrically connected to cable shield

Connecting cable with plug connector M8, 4-pin, 15 m



084644

C-M08F04-04X025PV15,0-ES-084644

- ▶ M8 female plug, 4-pin
- ▶ Straight plug connector
- ▶ PVC cable
- ▶ Cable length 15 m
- ▶ With flying lead
- ▶ Knurled nut electrically connected to cable shield

Connecting cable with plug connector M8, 4-pin, 2 m



084641

C-M08F04-04X025PV02,0-ES-084641

- ▶ M8 female plug, 4-pin
- ▶ Straight plug connector
- ▶ PVC cable
- ▶ Cable length 2 m
- ▶ With flying lead
- ▶ Knurled nut electrically connected to cable shield

Connecting cable with plug connector M8, 4-pin, 5 m



084642

C-M08F04-04X025PV05,0-ES-084642

- ▶ M8 female plug, 4-pin
- ▶ Straight plug connector
- ▶ PVC cable
- ▶ Cable length 5 m
- ▶ With flying lead
- ▶ Knurled nut electrically connected to cable shield

Data carrier

Data carrier CIS3A-Mini



077785

CIS3AP10D05KH01K

- ▶ Cylindrical design, Ø 10 mm
- ▶ Unprogrammed



092320

CIS3AP10D05KH01K-P

- ▶ Cylindrical design, Ø 10 mm
- ▶ Programmed

Read heads

Read-write head CIT3A Mini



077940
CIT3ASX1N12ST

- ▶ Use with interface adapter CIA3...
- ▶ Cylindrical design M12
- ▶ M8 plug connector
- ▶ Axial connection

Software

.NET 3964R Library



8000140
SW .NET 3964R LIBRARY

- ▶ Protocol driver software for connecting the EKS Electronic-Key adapters with serial or USB interface and the CIS ident systems with serial interface to a PC application (in titles !!!)

Transponder Coding 2 TC2



8000151
SW TRANSPONDER CODING 2 TC2

- ▶ Software for reading and writing CIS data carriers and EKS keys

Transponder Coding TC



8067190
SW TRANSPONDER CODING TC

- ▶ Software for reading and writing CIS data carriers or EKS Electronic-Keys