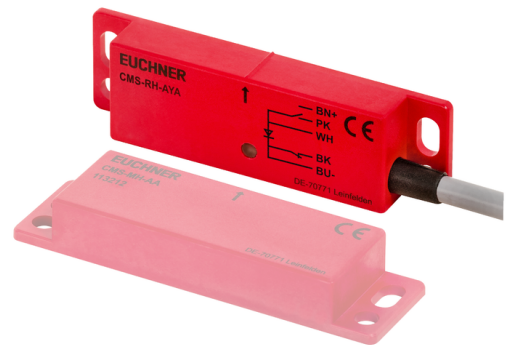


CMS-RH-AYA-05VL (Order no. 113208)

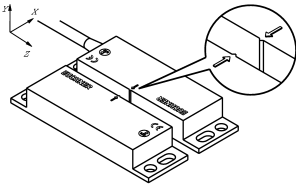
Read heads CMS with Hall sensors – design A

- ▶ In combination with evaluation units CMS-E-ER/CMS-E-FR
- ▶ Cube-shaped version, 87.5 x 25 mm
- ▶ 1 LED
- ▶ Hard-wired encapsulated cable made of PVC, 5 m



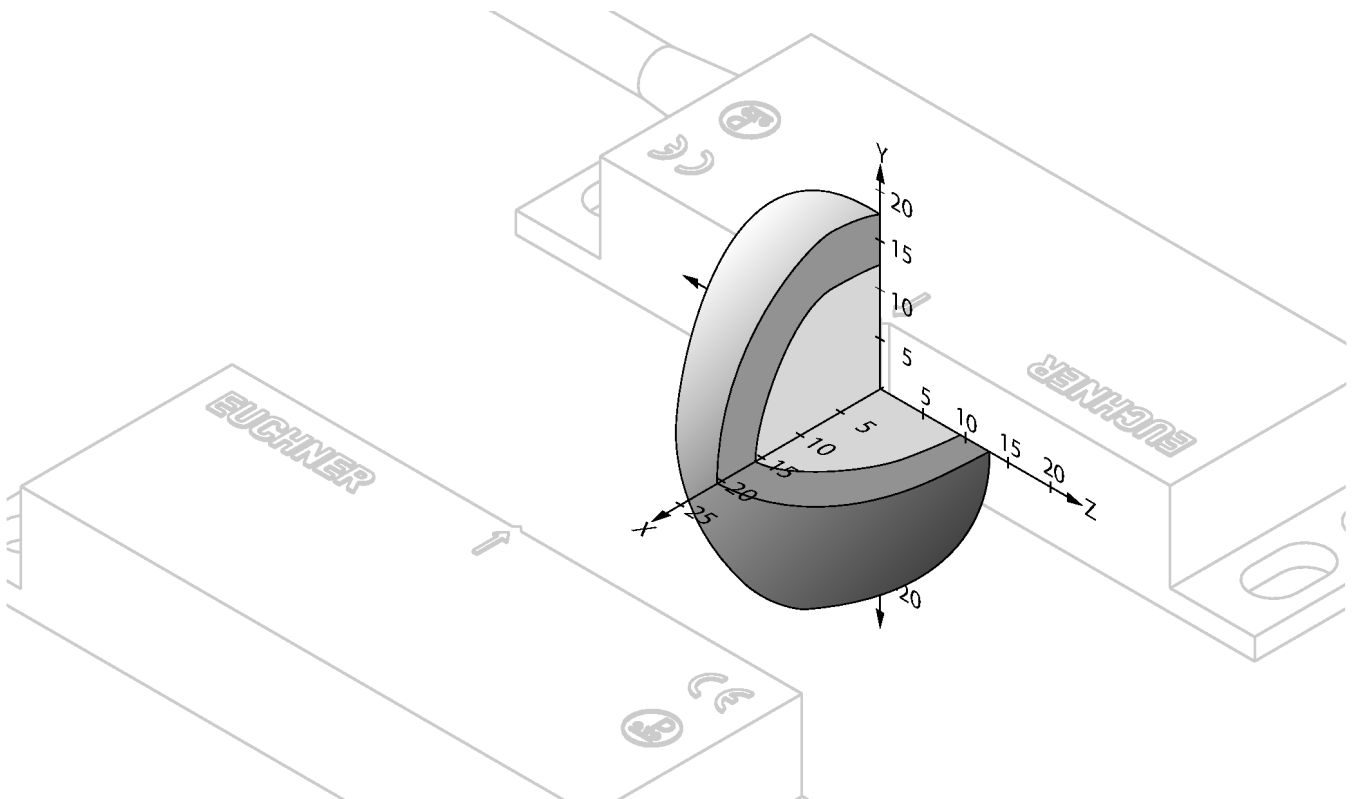
Important: Actuators must be ordered separately!

Alignment of read head and actuator



Operating diagrams, design A

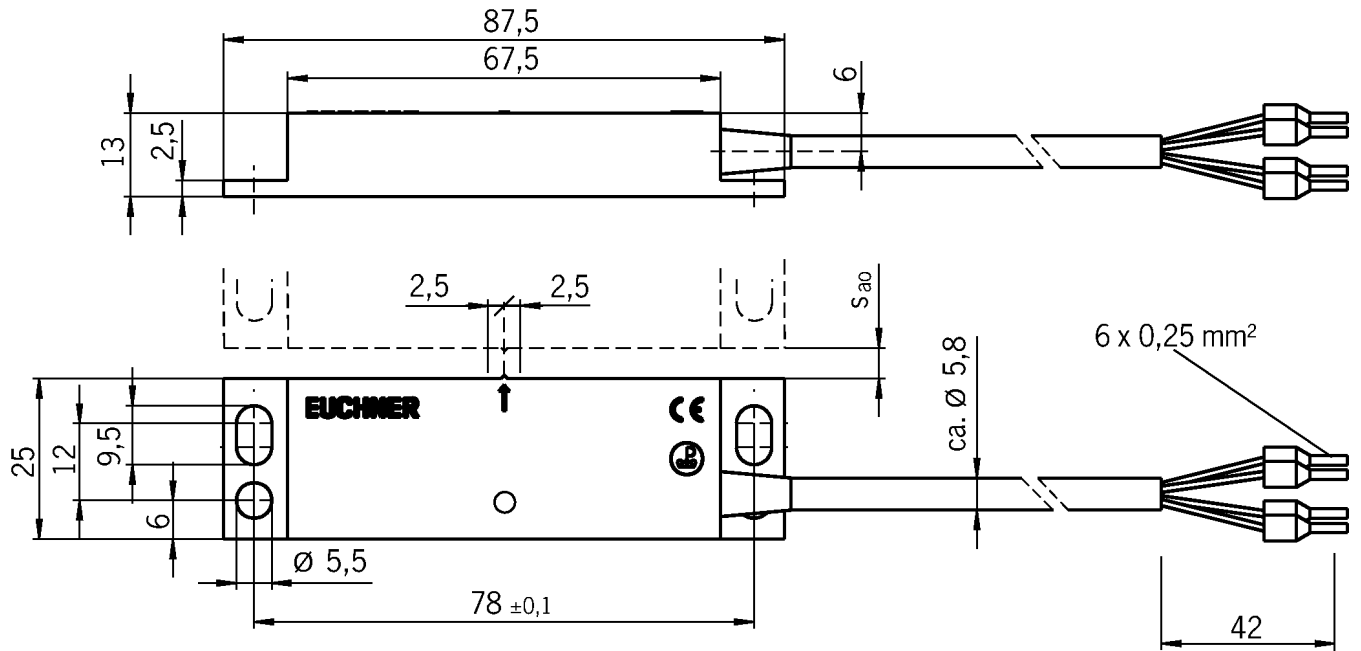
CMS-RH-AYA



- ▶ typ. operating distance

► typ. release distance

Dimensional drawings



Technical data

Approvals



Workspace

Secured switch-off distance s_{ar} max. 20 mm
 (The assured release distance s_{ar} corresponds to the reset distance.)

Secured switching distance s_{ao}
 with center offset $m=0$ min. 10 mm
 (Value applies only if there is no ferromagnetic material in the vicinity of the read head and the actuator.)

Operating and display elements

LED display 1 LED green

Electrical connection values

Switching voltage
 DC 20 ... 35 V

Switching current max. 15 mA

Switching characteristics NO + NC

Current consumption max. 35 mA

Mechanical values and environment

Connection type Hard-wired encapsulated cable with cable end sleeves 0.25 mm²

Number NC contacts 1 NC contact

Number of NO contacts 1 NO contacts

Tightening torque 0.4 ... 0.5 Nm

Design A

Installation orientation any
 (During mounting it must be ensured that the marking arrows on the actuator and the read head are opposite each other.)

Cable length 5 m

Mechanical life	100 x 10 ⁶
Degree of protection	IP67
Ambient temperature	-5 ... +55 °C
Material	
Housing	Fiber glass reinforced PPS
Cable material	PVC
Method of operation	Hall sensor

Miscellaneous

in compliance with	EN ISO 13849-1:2015; EN 50178:1997; EN 60204-1:2006/ A1:2009; EN ISO 14119:2013; EN 61000-6-2:2005; EN 61000-6-3:2007/A1:2011; EN 60947-5-3:2013
--------------------	--

Downloads

All documentation for this material can be found on our website:

<https://www.euchner.de/en-us/a/113208/?#downloads-tab>

Ordering data

Ordernumber	113208
Item designation	CMS-RH-AYA-05VL
Gross weight	0,302kg
Customs tariff number	85389099990
ECLASS	27-27-24-02 Safety-related magnetic proximity switch

Accessories

Actuator

Actuator CMS with Hall sensors – design A



113212
CMS-MH-AA

- ▶ Cube-shaped version, 88 x 25 mm

Mounting accessories

Spacer CMS-A-SA



110415
CMS-A-SA VPE10

- ▶ Spacer for CMS read heads design A
- ▶ Packaging unit 10 pieces