

## L84M, L84C - Micro- and Oil-fog lubricator Excelon® Plus Modular System



- > Port size: 3/8" ... 3/4" (ISO G/PTF)
- > Excelon® Plus design allows in-line installation or modular installation with other Excelon® Plus products
- > Flow sensor provides a nearly constant oil/air ratio over a wide range of flows
- > Double safety lock bowl
- > Light weight Polycarbonate bowl
- > Metal bowl with prismatic liquid level indicator lens
- > High Corrosion resistance: Body and Metal bowl with electrophoretic paint finish
- > All round (360°) visibility of sightdome for ease of drip rate setting
- > Choice of two oil delivery systems



### Technical features

#### Medium:

Compressed air only

#### Maximum supply pressure:

Polycarbonate bowl: 10 bar (145 psi)

Metal bowl: 20 bar (290 psi)

#### Bowl

0,2 litre

#### Port size:

G3/8, G1/2, G3/4,  
3/8 PTF, 1/2 PTF, 3/4 PTF

#### Flow:

Micro-fog : 73 dm<sup>3</sup>/s  
Oil-fog: 91 dm<sup>3</sup>/s at port size:  
1/2", operating pressure: 6,3 bar  
(91 psi) and Δp: 0,5 bar (7.25 psi)

#### Start point:

0,94 dm<sup>3</sup>/s

#### Ambient/Media temperature:

Polycarbonate bowl:

-10 ... +60°C (14 ... +140°F)

Metal bowl:

-20 ... +65°C (-4 ... +149°F)

Air supply must be dry enough to avoid ice formation at temperatures below +2°C (+35°F).

#### Materials:

Transparent Bowl : Polycarbonate with Polypropylene Guard.

Metal Bowl: Die cast Aluminium with PA liquid level indicator lens


Body: Die cast aluminium

Body cover: ABS

Sightdome: Transparent PA

Bowl 'o'- ring: Chloroprene Elastomers: NBR

### Technical data L84 - standard models

Symbol	Port size	Lubricator type	Bowl	Weight (kg)	Model
	G3/8	Micro fog	Guarded polycarbonate	0,40	L84M-3GP-EPN
	G1/2	Micro fog	Guarded polycarbonate	0,40	L84M-4GP-EPN
	G3/4	Micro fog	Guarded polycarbonate	0,40	L84M-6GP-EPN
	G3/8	Micro fog	Metal with level indicator	0,53	L84M-3GP-EDN
	G1/2	Micro fog	Metal with level indicator	0,53	L84M-4GP-EDN
	G3/4	Micro fog	Metal with level indicator	0,53	L84M-6GP-EDN
	G3/8	Oil fog	Guarded polycarbonate	0,40	L84C-3GP-EPN
	G1/2	Oil fog	Guarded polycarbonate	0,40	L84C-4GP-EPN
	G3/4	Oil fog	Guarded polycarbonate	0,40	L84C-6GP-EPN
	G3/8	Oil fog	Metal with level indicator	0,53	L84C-3GP-EDN
	G1/2	Oil fog	Metal with level indicator	0,53	L84C-4GP-EDN
	G3/4	Oil fog	Metal with level indicator	0,53	L84C-6GP-EDN

### Option selector

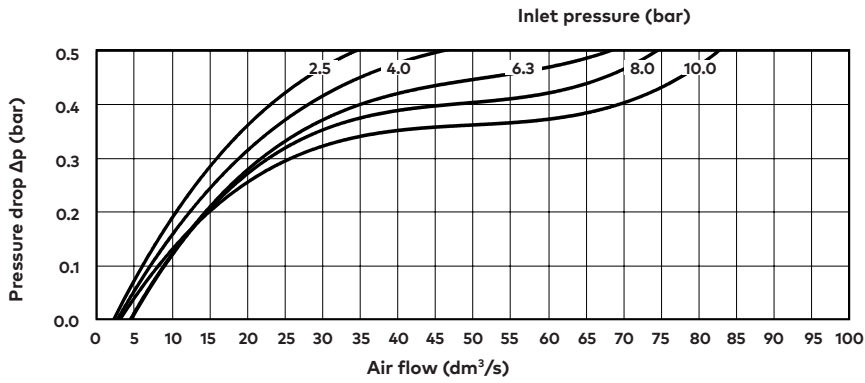
L84★-★★P-E★N

Type	Substitute
Oil fog lubricator	C
Micro fog lubricator	M
Port size	Substitute
3/8"	3
1/2"	4
3/4"	6
Thread form	Substitute
PTF	A
ISO G parallel (standard)	G

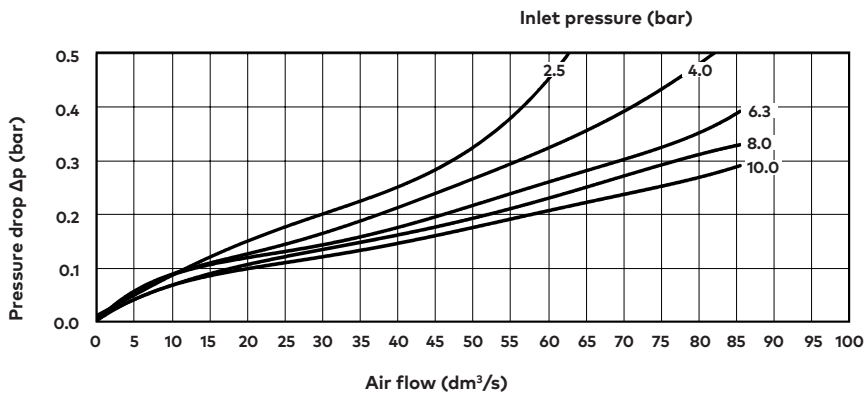
Bowl	Substitute
Metal with liquid level indicator	D
Transparent with guard (standard)	P

### Flow characteristics

Micro fog  
Port size: 1/2"



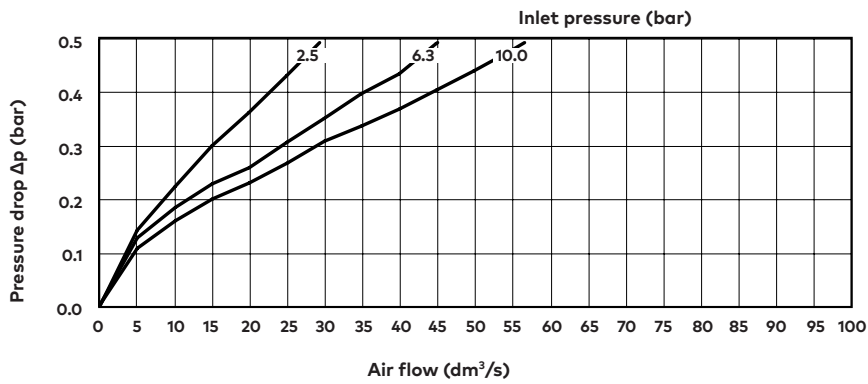
Oil fog  
Port size: 1/2"



## Flow characteristics

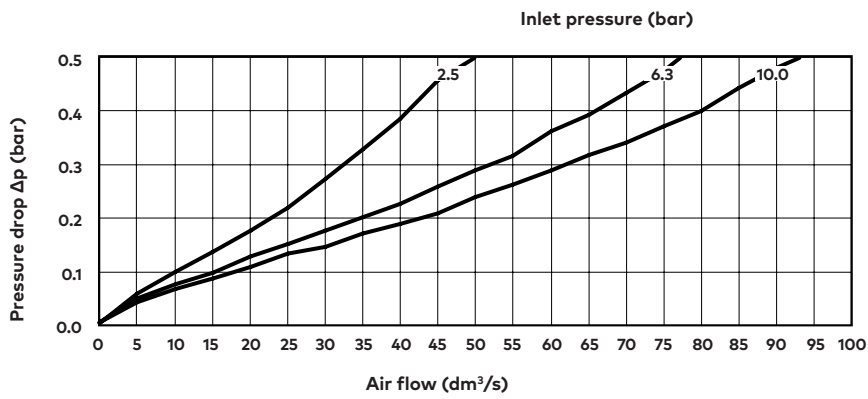
Micro fog

Port size: 3/8"



Oil fog

Port size: 3/8"







## Accessories

<b>Wall mounting bracket</b>  <b>Page 6</b> 840024-50KIT	<b>Quikclamp®</b>  <b>Page 6</b> 840014-51KIT	<b>Quikclamp® with bracket assembled</b>  <b>Page 6</b> 840014-52KIT	<b>Hybrid Quikclamp® *1</b>  <b>Page 6</b> 840014-61	<b>Hybrid Quikclamp® with bracket assembled *1</b>  <b>Page 6</b> 840014-62
--	---	--	---	---

\*1) To connect new Excelon Plus to old Excelon 74/73 units. Having the same hole centres as 74 series mounting bracket. A Quikclamp adds 13.6 mm to the overall width of a combination unit

<b>Pressure sensing block 1/4 PTF</b>  <b>Page 6</b> 840016-50KIT	<b>Pressure sensing block G1/4</b>  <b>Page 6</b> 840016-51KIT
---	--

<b>Full flow porting block 3/4" PTF</b>  <b>Seite 7</b> 840028-50KIT	<b>Full flow porting block G3/4</b>  <b>Seite 7</b> 840028-53KIT	<b>Full flow porting block 3/4" PTF</b>  <b>Seite 7</b> 840028-68KIT	<b>Full flow porting block G3/4</b>  <b>Seite 7</b> 840028-69KIT
---	---	---	--

**Port Adaptors**





1/4 PTF	840015-01KIT
3/8 PTF	840015-02KIT
1/2 PTF	840015-03KIT
3/4 PTF	840015-04KIT
G1/4	840015-09KIT
G3/8	840015-10KIT
G1/2	840015-11KIT
G3/4	840015-12KIT

**Pressure switch interface block (18D pressure switch) G1/4**



**Page 7**  
0337717000000000

<b>Pressure switch 18D (0,5 ... 8bar) *1</b>  <b>Page 7</b> 0881300	<b>Digital pressure switch 51D (-1 ... 10 bar) *2</b>  <b>Page 8</b> 0860810
---	--

**Electronic Pressure Sensor – stand alone version \*3**



Q84G

**IO-Link cables**





**Connection cable M8x1 for integrated digital pressure switch**



Description	Cable length (m)	Model
M8 female to M12 male	0,6	NC-084FS-124MS-A
	1,0	NC-084FS-124MS-1
	2,0	NC-084FS-124MS-2
	5,0	NC-084FS-124MS-5
M8 female to free end	5,0	NC-084FS-00000-5

\*1) Flanged version. For other pressure ranges, please see data sheet 5.11.001  
 \*2) For other pressure ranges, please see data sheet 5.11.385  
 \*3) Q84G stand alone electronic pressure sensor module see <http://s.norgren.com/digital-gauge-iodd> for data-sheet 8.900.905.

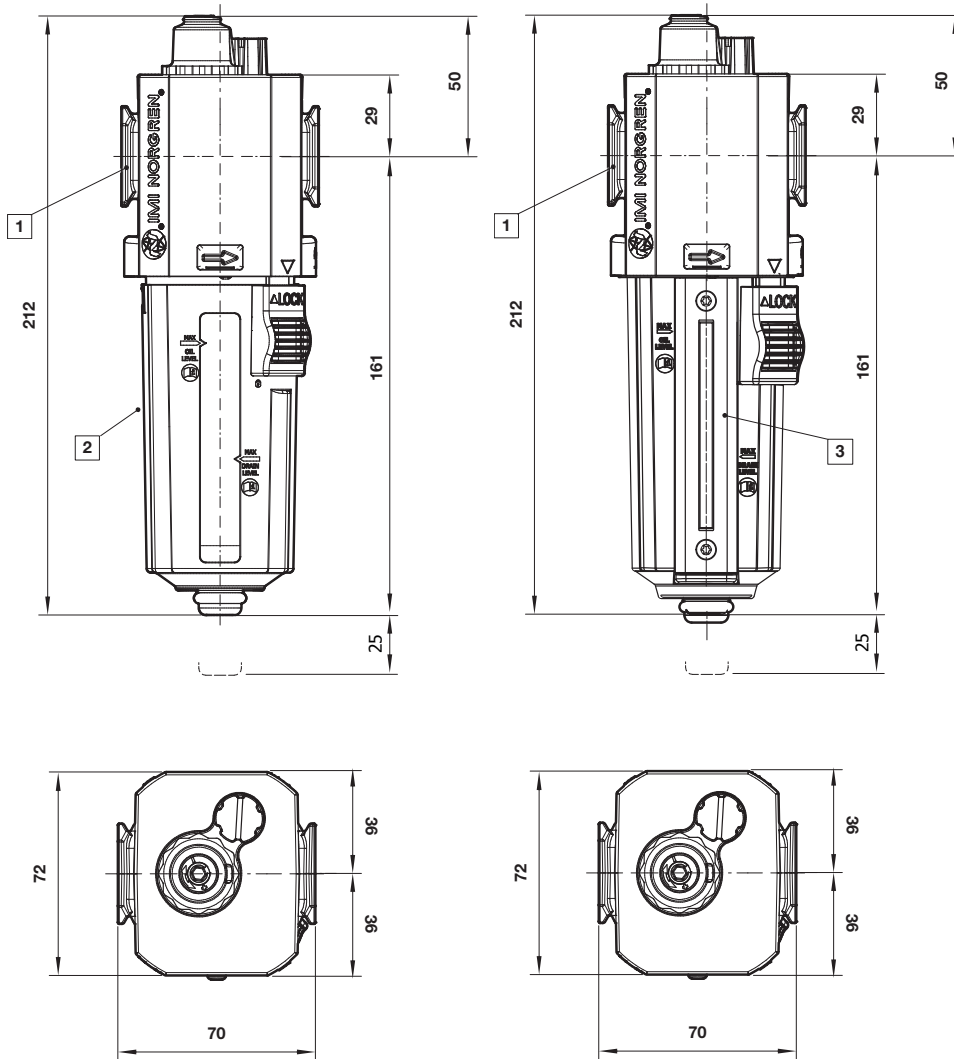
## Service kits

<b>Quick fill nipple</b>  18-011-024	<b>Lubricator bowl Guarded Poly</b>  840025-52KIT	<b>Lubricator bowl Metal with sight glass</b>  840003-52KIT	<b>Lubricator sight dome kit</b>  Micro fog (red) 840055-50KIT Oil fog (green) 840055-51KIT
---	--	--	--

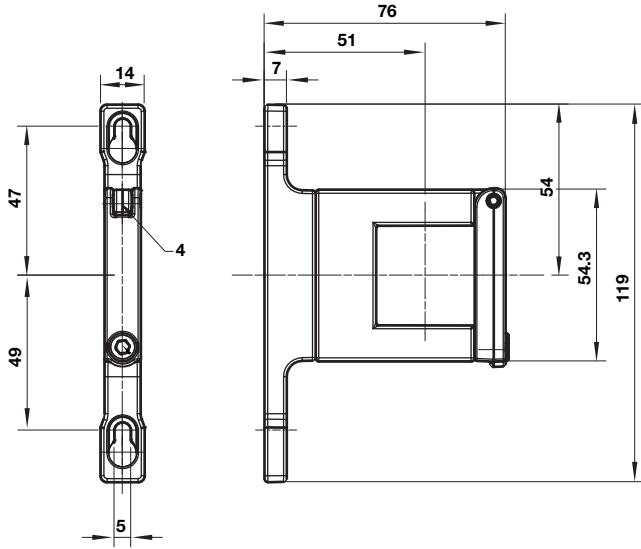
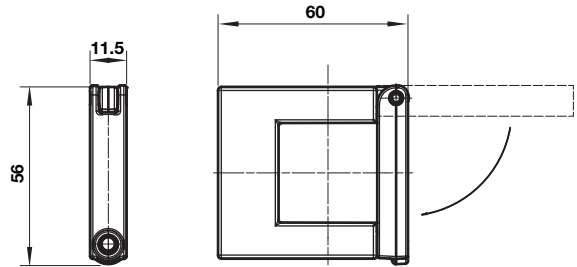
**Dimensions**

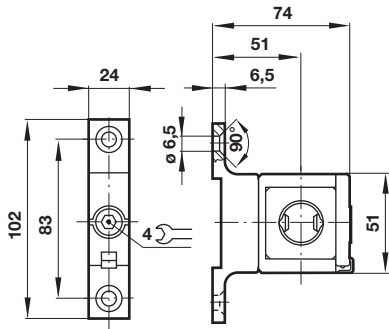
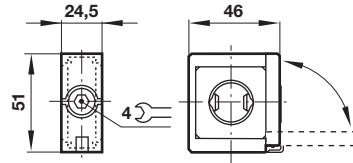
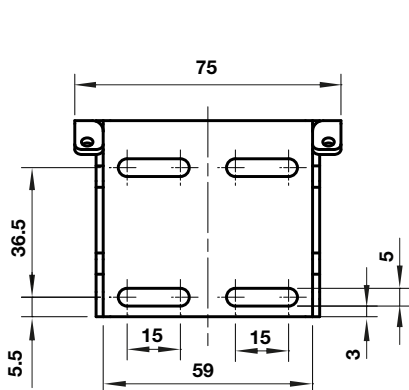
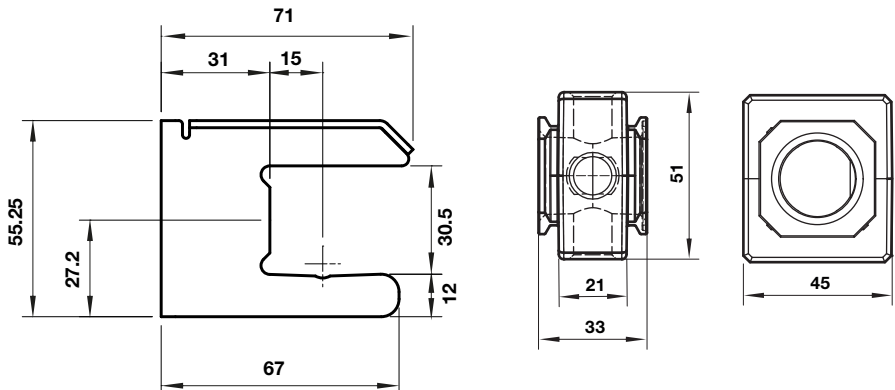
 Dimensions in mm  
 Projection/First angle

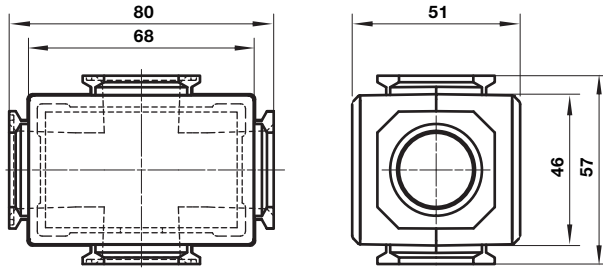
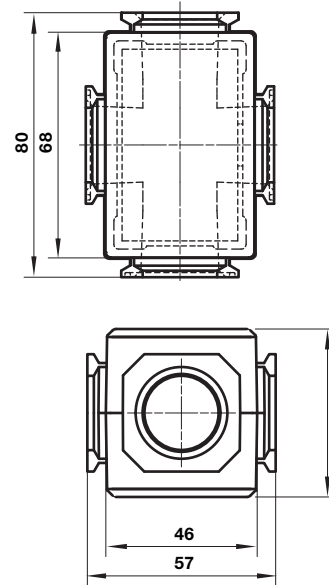

Plugged bowl

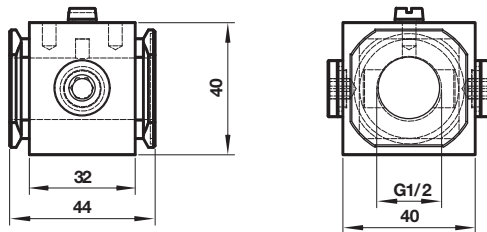
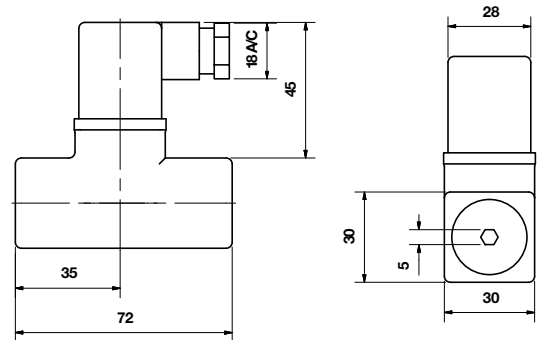
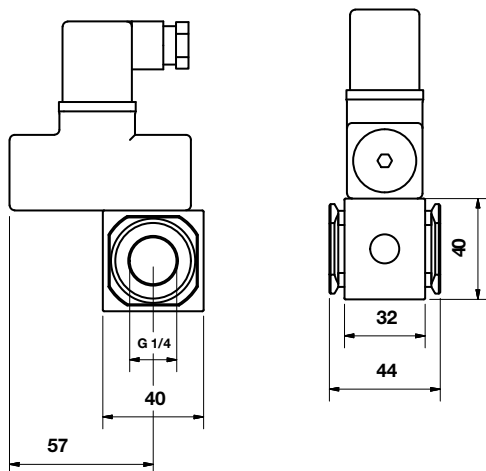
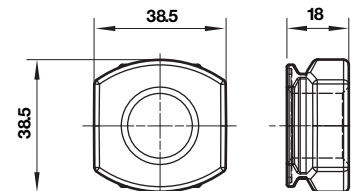


- 1 Main ports 3/8", 1/2" or 3/4"  
(ISO G/PTF)
- 2 Transparent bowl with guard
- 3 Metal bowl with liquid level indicator lens

**Accessories**
**Quikclamp® with wall bracket**

**Quikclamp®**

 Dimensions in mm  
 Projection/First angle

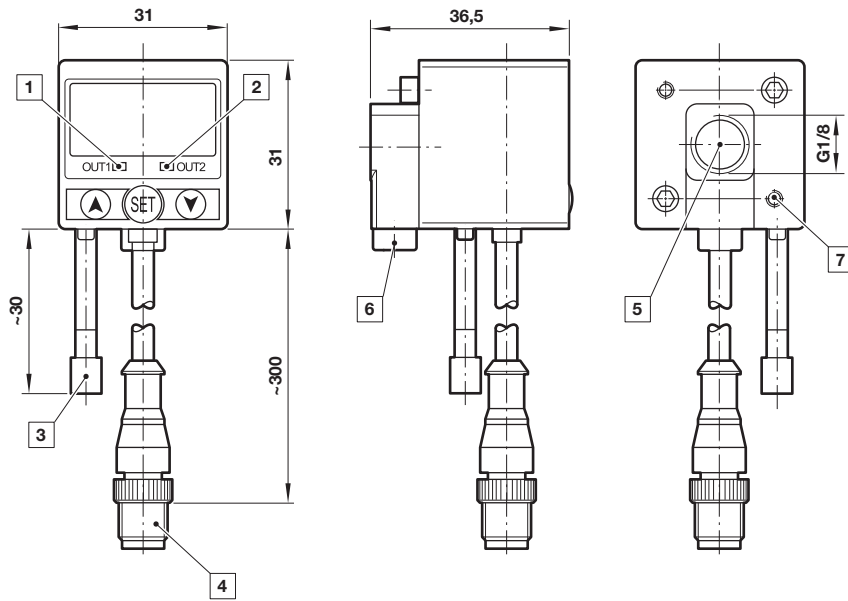
**Hybrid-Quikclamp® with wall bracket**

**Hybrid-Quikclamp®**

**Mounting bracket**

**Pressure sensing block**


**Full flow porting block horizontal**

**Full flow porting block vertical**

 Dimensions in mm  
 Projection/First angle

**Porting block for 18D pressure switch**

**18D Pressure switch**

**18D Porting block and 18D assembled**

**Pipe adaptor**


## 51D Pressure switch - digital

Dimensions in mm  
Projection/First angle



- 1 Switch OUT 1, green LED
- 2 Switch OUT 2, red LED
- 3 Dustproof protector
- 4 Connector M12 x 1
- 5 Inlet port
- 6 Alternative inlet port G1/8 plugged
- 7 Thread for mounting screw

### Warning

These products are intended for use in industrial compressed air systems only. Do not use these products where pressures and temperatures can exceed those listed under »**Technical features/ data**«.

Before using these products with fluids other than those specified, for non-industrial applications, life-support systems or other applications not within published specifications, consult Norgren Ltd.

Through misuse, age, or malfunction, components used in fluid power systems can fail in various modes.

The system designer is warned to consider the failure modes of all component parts used in fluid power systems and to provide adequate safeguards to prevent personal injury or damage to equipment in the event of such failure.

System designers must provide a warning to end users in the system instructional manual if protection against a failure mode cannot be adequately provided.

System designers and end users are cautioned to review specific warnings found in instruction sheets packed and shipped with these products.