



Description

The HYDAC Remote Service Case (RSC) is a mobile remote maintenance tool. This service case makes it possible to access your systems and machine controls directly and remotely, as if the service technician were there in person. A VPN connection via mobile telephony (4G LTE), encrypted and certified to ISO 27001, to the Talk2M service portal provides protected data transfer between the control and the service technician's PC.

The plug-and-play remote maintenance solution is equipped with all standard components for rapid and straightforward remote maintenance.

Voltage is supplied by an enclosed power supply unit or by an optional battery pack. The RSC is available for purchase or rent.

Applications

- Machine and system engineering
- Mobile machines
- Automotive industry
- Paper industry
- and much more

Remote Service Case RSC

Advantages

- Reduction in travel costs and downtime costs
- Optimisation of service times
- Increased system availability
- CM/PM: e-mails or text messages can be sent with condition data and recommendations for action
- Access to all control data
- Can be incorporated into HYDAC's IIoT solution CMX
- Option: preconfiguration to customer specifications

Technical details

Supply voltage	12 ... 24 V DC +/- 20 %
Power consumption	approx. 30 W
Ambient temperature	-20 ... 70 °C
Humidity	10 ... 95 %, non-condensing
Protection class, open	IP 20
Protection class, closed	IP 65
Weight	10 kg

Additional data

Interfaces/protocols	OPC UA MQTT REST HTTPS FTP WLAN/WAN
Security	VPN connection, encrypted and certified to ISO 27001, to remote maintenance portal Talk2M
Network VPN	OpenVPN server, OpenVPN client
Connection of cloud platforms (optional cloud platforms by request)	HYDAC CMX 
Tested and certified control modules / controls	Rockwell Automation, SIEMENS, Schneider Electric, Hitachi, Mitsubishi Electric, ABB, Vipa, Pro-Face, Beiyer Electronics, Omron, B&R, Crouzet, Beckhoff, We!ntek             

Model code

RSC. 1X - 1 - U0 - L0 - 00 - 1 - 00

Type

RSC.= RSC – Basic

Series

XX = determined by manufacturer

Battery operation

0 = without battery pack
1 = battery pack

Slot 1

00 = Slot not occupied
U0 = Expansion card USB
W0 = Expansion card WLAN client
L0 = Expansion module MF LTE including LTE antenna
A0 = Expansion card IO

Slot 2

00 = Slot not occupied
U0 = Expansion card USB
W0 = Expansion card WLAN client
L0 = Expansion module MF LTE including LTE antenna
A0 = Expansion card IO

Supply voltage

00 = power cable with socket + plug Row-UK 2 m
01 = power cable with socket + plug Row-USA 2 m
02 = power cable with socket + plug Row-AUS 2 m

Version

0 = without preconfiguration
1 = preconfiguration

Special designs on request

Scope of delivery

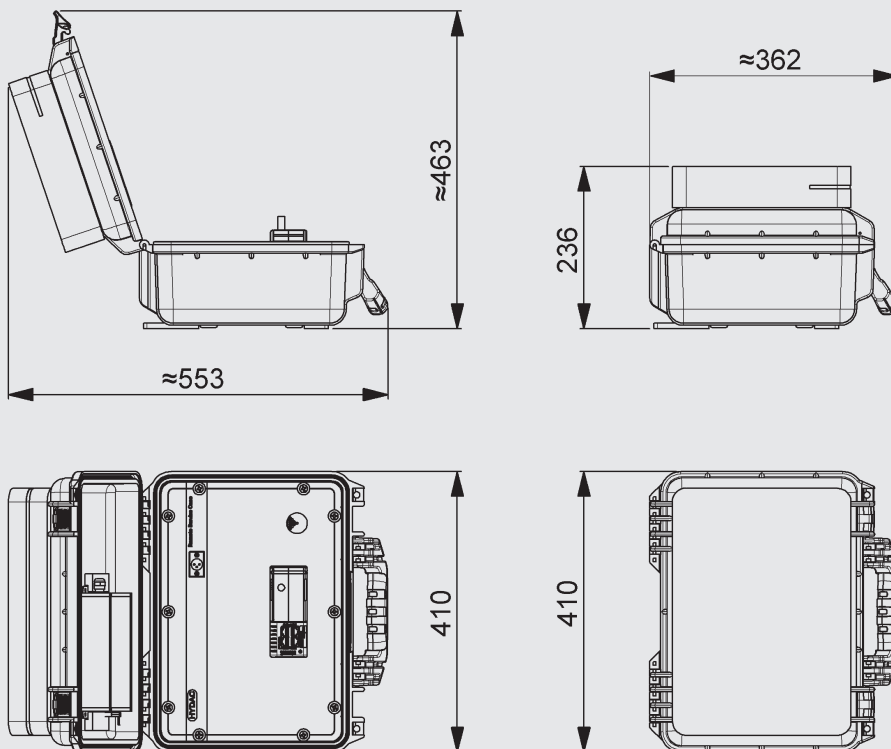
- Remote service case incl. front compartment
- Remote maintenance router with 2 module slots
- 24V power supply unit with power supply cable for Europe, US/Canada, UK, Australia and Japan
- Operating and Maintenance Instructions

Accessories (optional)

- Lightpatch cable 3 m (part no.: 6249223)
- USB cable A-B, 3 m (part no.: 6249389)

DIMENSIONS

Example: RSC.1X-1-U0-L0-00-1



All dimensions in mm

Note

The data provided here refers to the standard version. Customer-specific requirements can also be implemented following a review.

The information in this brochure relates to the operating conditions and applications described.

For applications or operating conditions not described, please contact the relevant technical department.

Subject to technical modifications.

HYDAC Systems & Services GmbH
Systems Engineering Division
Werk 14 Sonnenallee 1
D-66287 Quierschied-Göttelborn
Campus Göttelborn Süd
Tel: +49 (0)6897 509-01
Internet: www.hydac.com
Email: systeme@hydac.com