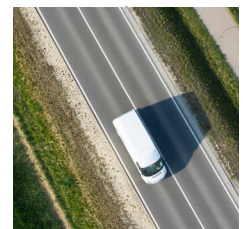
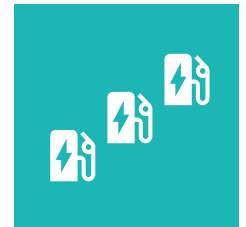


# EV charger cord retractor

Easily retract and manage your EV charger cords with Eaton's EV charger cord retractor.

Configurable clamp allows for installation on cords from 32 A to 80 A.

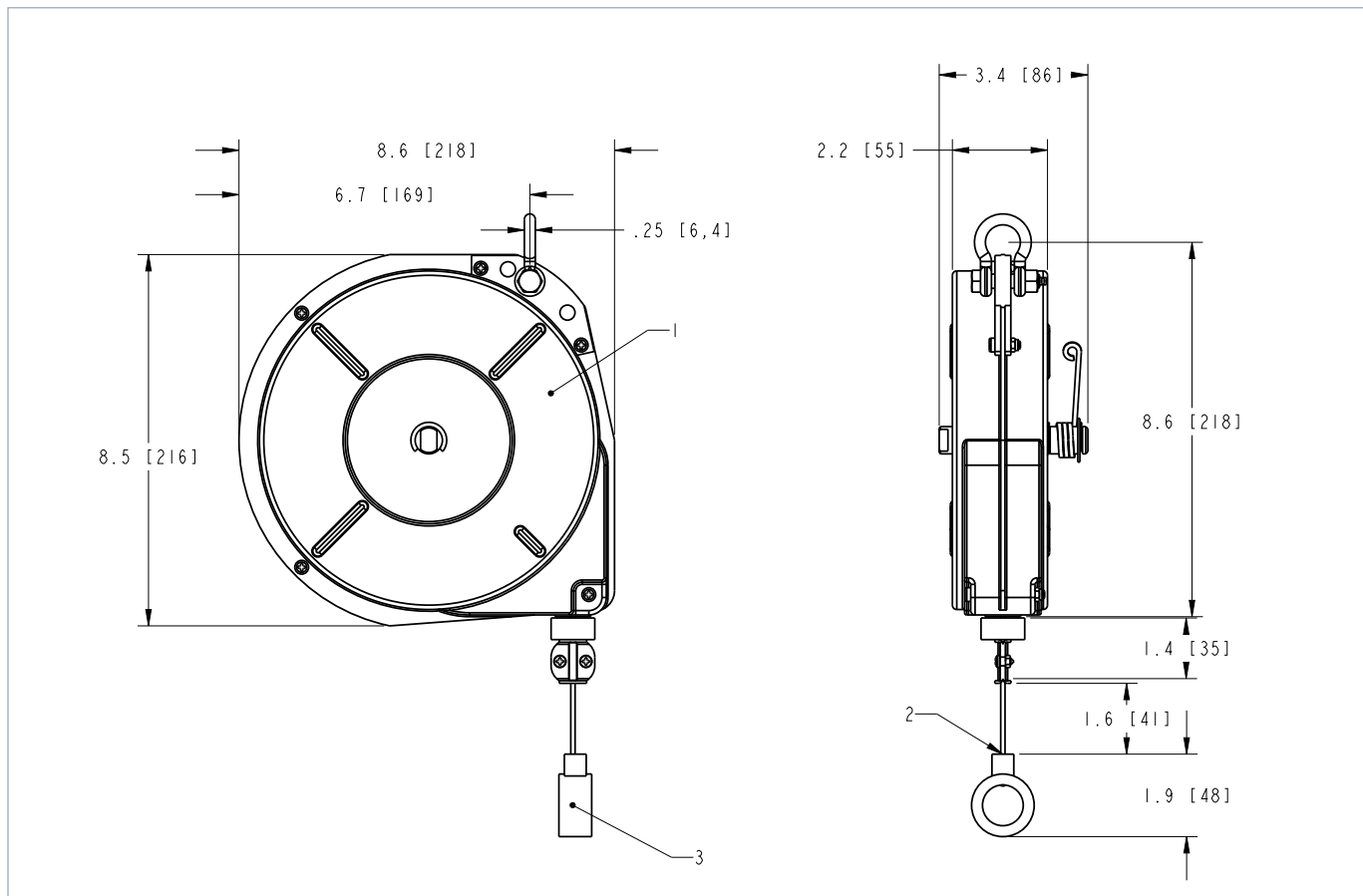
- **Ratcheting lock** – Pull to lock at desired location
- **Adjustable tension** – Manage cord and connectors of different weights
- **Adjustable travel** – Optimize for various ceiling heights
- **Adjustable cable stop** – Optimize per user preference
- **Configurable clamps** - Works with EV Charging Busway and all Eaton AC Level 2 chargers



**EATON**

*Powering Business Worldwide*

## Product dimensions



## Technical specification

**Catalog number** – EVCC-RET

**Weight supported** – Up to 22 lbs.

**Travel range** – 8 feet

**Enclosure type** – Steel

**Rated** – Indoor use

Contact the Eaton Technical Resource Center at

**1-877-ETN-CARE (386-2273)** option 2, option 9 for further assistance.