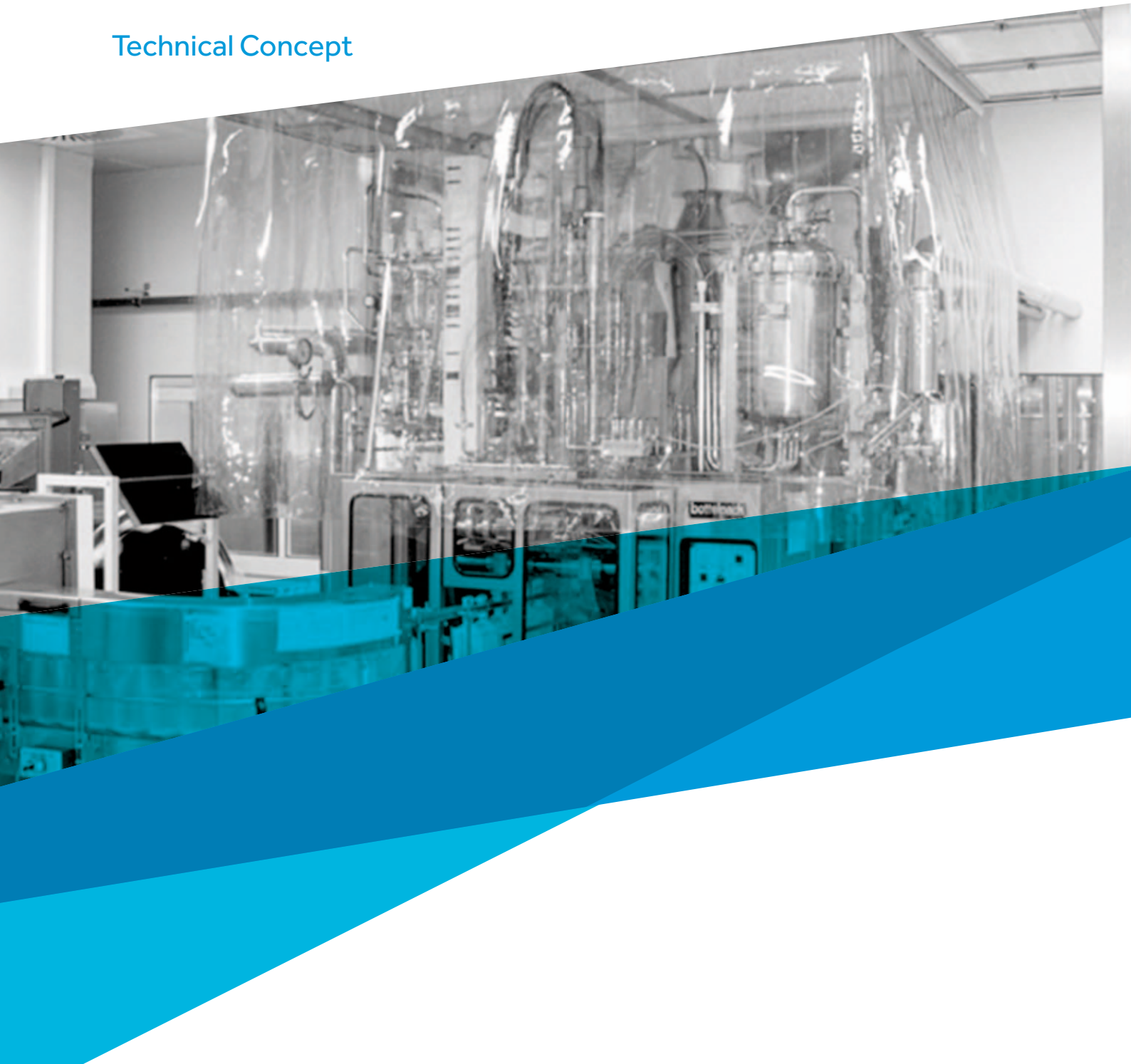


Cleanroom Curtain System RVS All Types Cleanroom Accessories

Technical Concept



Product Description

PVC curtains are a particularly cost effective and flexible alternative to cleanroom wall systems. Exyte Technology-Cleanroom Curtain System (RVS) puts these advantages into practice. The simple and quick installation also keep construction costs to a minimum.

Construction

The system consists of curtain rails and panel or strip curtain. The curtain rails are made of extruded aluminum profiles. The surface of the curtain rail **1** and the cover strip **4** are anodized (E6/EV1). After the curtain is installed, the cover strip and a covering-cap **2** are attached to the curtain rail. The system is visually and functionally suitable for cleanroom use. The curtain rail has anchor points **1a** every 200 mm to simplify installation (e.g. to the cleanroom ceiling). Slide blocks **3** align the curtain rails for a flush installation.

The retaining spring **5** attaches the curtain rail tab **1b** to the cover strip. In configurations²⁾ 1 and 3 a curtain clamp **6** is required for curtains that are heavy due to their length and/or thickness. In configuration 2 the retaining clip **7** is clamped into the tab to hold strip curtains.

Inner corner- **8**, outer corner pieces **9** as well as T-connection adapters **10** can be used to build corners and intersections as required.

Applications

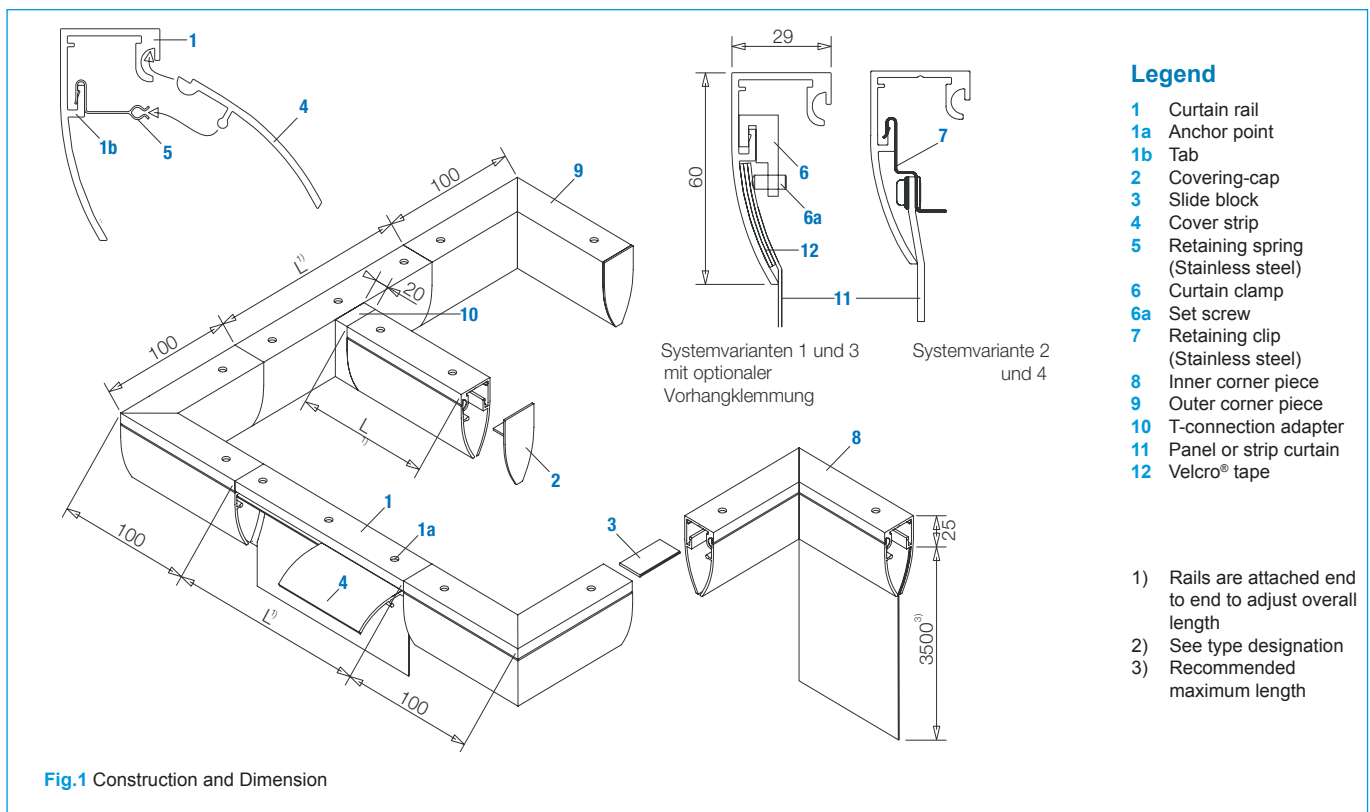
- Cleanroom enclosures
- Separation for areas with different air-flows (laminar/turbulent)
- Room dividers

The RVS is suited for the combination with the following products by Exyte Technology:

- CWIC® System
- Ultraflex Ceiling Grid
- Ultraflex Cassette Ceiling
- Ultraflex Cleanroom
- Clean Work Cabins

Technical Data

Type	Unit	RVS
Curtain rail		
- Width x Height	mm	29 x 60
- Max. single bar length L ¹⁾	mm	5600
Weight (standard)		
- Curtain rail	g/m	686
- Cover strip	g/m	362
Curtain rail/cover strip material		aluminum
Curtain rail/cover strip surface (standard)		anodized E6/EV1
Material (Standard) Panel or strip curtain		PVC transparent
Material thickness	mm	1.0/1.5/2.0
1) for lengths over 5600 mm, the rails are attached end to end		



Key Features

Easy Installation

The curtain rail is delivered with anchor points for easy and fast installation. The curtains can be installed by a single person using either the Velcro® tape or retaining clips.

Covered Hardware

All the connection and installation hardware is covered to meet the visual demands of a cleanroom.

Modular Construction

Modular construction allows a flexible installation. Adjustment to specified space constraints is possible without any problems.

Optimal Cleaning Characteristics

Because of the very smooth surface, the system can be easily cleaned and disinfected.

Flow-optimized Design

The design of the cleanroom curtain system optimizes the airflow.

Curtain Installation in the Grey or Cleanroom Side

Depending on the on-site conditions the cleanroom curtain system can be installed in the grey or cleanroom side.

Type Designation



System Configuration

- 1 Panel curtain with Velcro® tape as a divider/zoning
- 2 Single strip curtains with retaining clips (easy change of individual strips) for normal strain
- 3 Strip curtains attached to each other by Velcro® tape for heavy strain
- 4 Strip curtain with retaining clips for regular passag strain

Curtain Rail (Material/Surface)

AE aluminum anodized

Optional

PB9010 Aluminum untreated with powder-coating in RAL 9010
 Antistatic material
 Weights included
 Round plastic profiles (approx. 600-1200 g/m)
 Leaded tape (approx. 400 g/m)

Submittal Text

_____m Cleanroom Curtain System

The system is primarily made of aluminum profiles for hanging the curtain. Screw connections attach the system to the cleanroom ceiling or other suitable support. Corner pieces and T-connection adapters turns can be placed at nearly any position along the rail.

The curtain can be installed on the cleanroom or grey room side. The curtain rails and cover strips meet visual and functional cleanroom requirements. The cover strip can be removed for maintenance purposes without any tools.

Notice

A layout must be submitted for the exact calculation of the curtain rail lengths.

Attaching Methods

- Sheet-metal screws
- Halfen screws
- Through bolt joint
- Dowels

Curtain Configurations

Curtain length _____ mm

(recommended max. length 3500 mm;
 other lengths on request)

- Material PVC
- PVC antistatic
- Colour transparent
- other colour

System Configuration 1

Panel curtain with Velcro® tape
 maximum width 3500 mm, 50–70 mm overlap
 thickness [mm] 1.0 1.5 2.0

- Curtain clamps for long curtains (optional)

System Configuration 2

Panel curtain with retaining clips
 maximum width 3500 mm, 50–70 mm overlap
 thickness [mm] 1.0 1.5 2.0

System Configuration 3

Strip curtains with Velcro® tape (attached to each other) for heavy strain

200, 250 or 300 mm wide strips, 50–70 mm overlap
 thickness [mm] 1.0 1.5 2.0

- Curtain clamps for long curtains (optional)

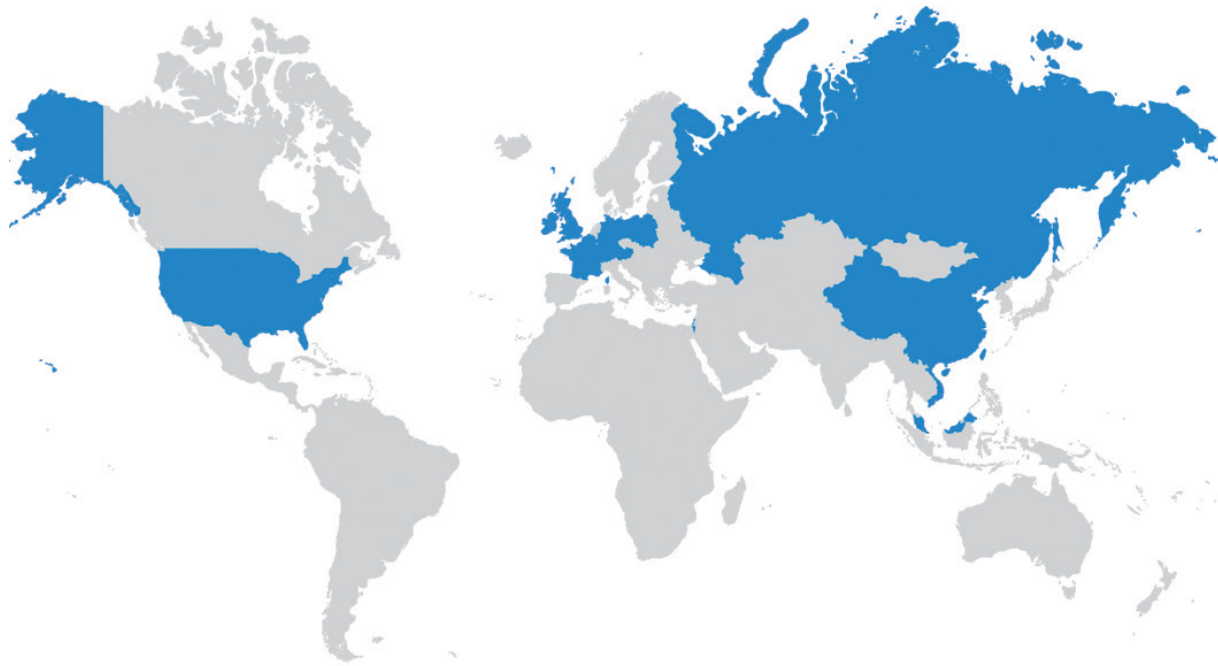
System Configuration 4

Strip curtains with retaining clips
 200, 250 or 300 mm wide strips, 50–70 mm overlap
 thickness [mm] 1.0 1.5 2.0

Manufacturer Exyte Technology GmbH

Type RVS - - - - -

Local Support Wherever You Need Us



Exyte Technology GmbH
Rosine-Starz-Str. 2-4
71272 Renningen
Germany
Phone +49 711 8804-8000
Email info@exyte-technology.net

Exyte Technology Shanghai Co., Ltd.
No. 139 Beimin Road,
Chedun, Songjiang
201611 Shanghai, China
Phone + 86 21 37838360
Email info@exyte-technology.net