

Wire-wound tubular resistors type FW40

Data sheet



Construction

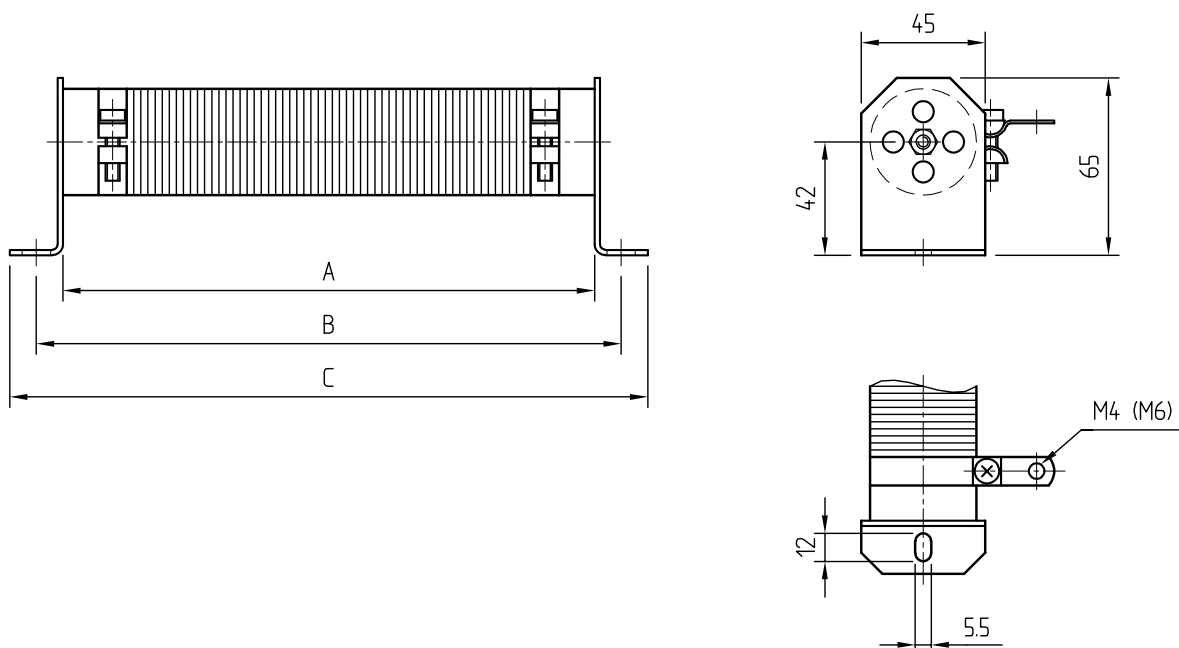
- Ceramic resistor carrier KER 410
- Resistance material CuNi44
- End- and tap clips made of brass nickeled
- Holding bolt, angle brackets or mounting plates, also nuts and conical spring washers made of electric zinc steel, plated blue

Execution

- Standard execution with angle brackets
- On request:
 - with mounting plates
 - Double and triple design
 - single, double and triple design with protective case
 - with additional taps

Type	FW 40-120	FW 40-150	FW 40-200	FW 40-300	FW 40-400	
Resistance range	R151 - 6K2	R21 - 8K6	R31 - 12K5	R51 - 20K4	R7 - 28K2	
Tolerance	K ($\pm 10\%$), tighter tolerances on request					
Charge*	80 W	120 W	180 W	300 W	400 W	
Temperature coefficient	+40 – 80 ppm					
Surface temperature	300 °C					
Dielectric strength	3 kV AC, 50 Hz, 1 minute					
Dimensions	A	120	150	200	300	400
	B	142	172	222	322	422
	C	160	190	240	340	440

* The effective charge is defined by the resistance value and the nominal current (Table on sheet 1-1-19)



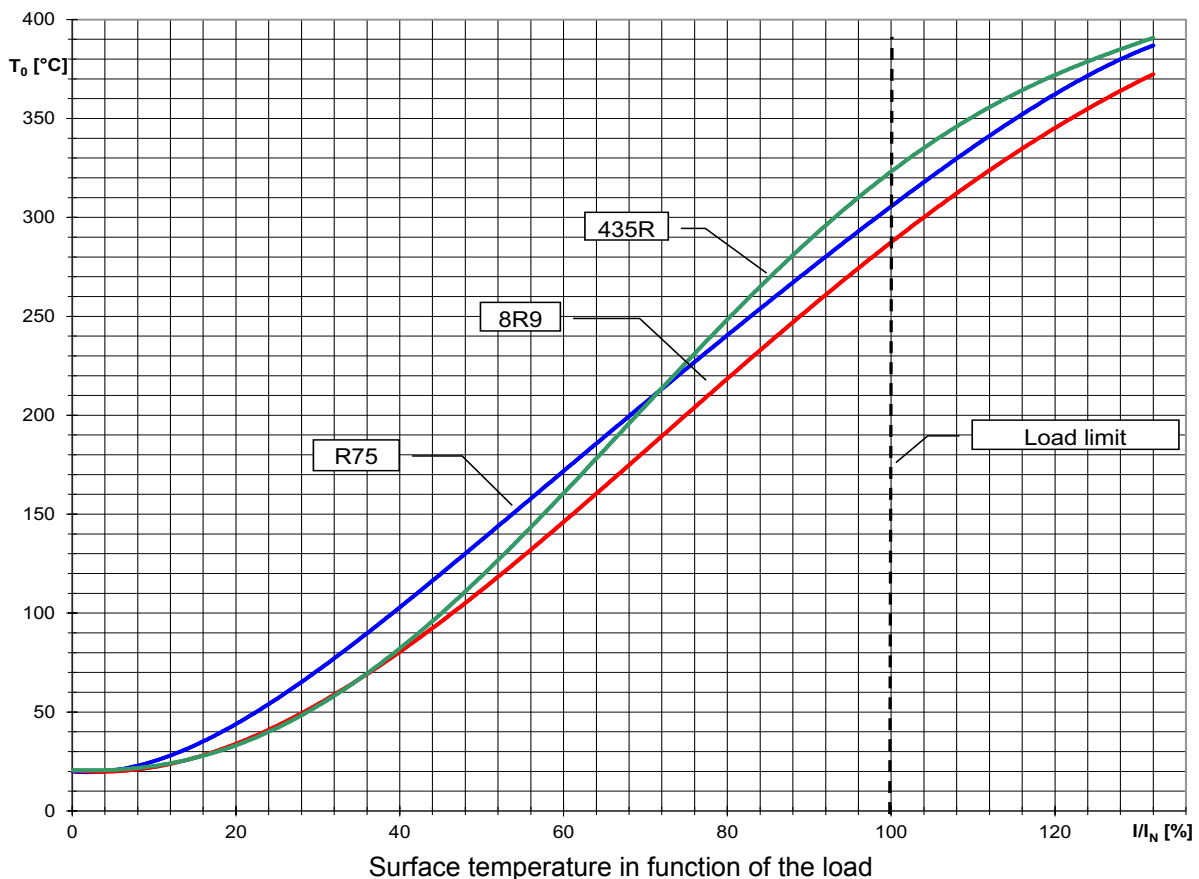
Wire-wound tubular resistors type FW40

Load data



Type FW	40 - 120	40 - 150	40 - 200	40 - 300	40 - 400	Type FW	40 - 120	40 - 150	40 - 200	40 - 300	40 - 400
I_N [A]	Available resistance values*					I_N [A]	Available resistance values*				
0.09	6 K 2	8 K 6	12 K 5	20 K 4	28 K 2	2.3	18 R	25 R	37 R	60 R	83 R
0.1	4 K 7	6 K 5	9 K 4	15 K 3	21 K 2	2.5	15 R	20 R 5	30 R	49 R	68 R
0.11	3 K 6	5 K 0	7 K 2	11 K 8	16 K 3	2.7	12 R 5	17 R	25 R	40 R	56 R
0.12	2 K 85	3 K 9	5 K 7	9 K 3	12 K 8	2.85	10 R 4	14 R 3	20 R 5	33 R	47 R
0.14	2 K 3	3 K 15	4 K 5	7 K 4	10 K 3	3	8 R 8	12 R	17 R 5	28 R	39 R
0.16	1 K 85	2 K 55	3 K 7	6 K 0	8 K 3	3.2	7 R 4	10 R 2	14 R 9	24 R	33 R
0.18	1 K 53	2 K 1	3 K 05	5 K 0	6 K 9	3.5	6 R 4	8 R 8	12 R 8	20 R 5	29 R
0.2	1 K 28	1 K 75	2 K 55	4 K 1	5 K 7	4.2	4 R 8	6 R 6	9 R 6	15 R 5	21 R 5
0.25	1 K 08	1 K 48	2 K 15	3 K 5	4 K 8	5	3 R 7	5 R 1	7 R 4	12 R	16 R 8
0.27	910 R	1 K 25	1 K 8	2 K 95	4 K 1	5.5	2 R 9	4 R 0	5 R 8	9 R 5	13 R 2
0.3	780 R	1 K 08	1 K 55	2 K 55	3 K 5	6.2	2 R 3	3 R 2	4 R 7	7 R 7	10 R 5
0.37	590 R	810 R	1 K 18	1 K 9	2 K 65	7	1 R 9	2 R 6	3 R 8	6 R 2	8 R 6
0.45	400 R	550 R	800 R	1 K 3	1 K 8	8	1 R 5	2 R 1	3 R 1	5 R 1	7 R 1
0.5	285 R	395 R	570 R	930 R	1 K 29	9	1 R 3	1 R 75	2 R 55	4 R 2	5 R 9
0.6	230 R	320 R	465 R	760 R	1 K 05	10	1 R 05	1 R 5	2 R 15	3 R 6	5 R 0
0.7	190 R	265 R	380 R	620 R	860 R	11	R 90	1 R 25	1 R 85	3 R 0	4 R 2
0.8	145 R	200 R	295 R	480 R	660 R	12	R 78	1 R 1	1 R 6	2 R 6	3 R 6
0.9	125 R	170 R	250 R	400 R	560 R	14	R 59	R 82	1 R 2	2 R 0	2 R 7
0.95	115 R	155 R	230 R	375 R	510 R	15	R 45	R 63	R 93	1 R 53	2 R 1
1	100 R	135 R	195 R	320 R	440 R	16	R 40	R 56	R 83	1 R 36	1 R 9
1.2	69 R	95 R	139 R	225 R	310 R	20	R 29	R 40	R 59	R 98	1 R 35
1.4	50 R	70 R	100 R	165 R	225 R	22	R 23	R 33	R 48	R 79	1 R 1
1.6	38 R	52 R	75 R	124 R	170 R	24	R 195	R 27	R 40	R 66	R 92
1.8	29 R	40 R	59 R	95 R	130 R	28	R 151	R 21	R 31	R 51	R 70
2	23 R	32 R	46 R	75 R	104 R						

*Other resistance values on request



The limit for permanent load is set after long experience.