

Instruction Manual

(Digital Pressure Gauge)



1. General Specification
2. Installation
3. Function
4. Menu Flow Chart
5. Setting & Calibration



- Pressure measurement of air or non corrosive gases
- Measurement of Differential, Gauge ,Positive, Negative(Vacuum), Both(\pm) pressure
- 5 Digit LCD Display(Back light)
- Zero, Offset setting
- Minimum, Maximum, 0-100% Display
- 2Alarm setting(2 SPDT Relay Switch)(Option)
- Measurement units selection(15 units)
- Easy and Simple Operation



SPECIFICATION

GENERAL

Maximum Pressure	Rated Range × 2
Media Compatibility	Liquids, Gases compatible with SUS316
Pressure Range	-1 to 1000bar

ELECTRICAL

Power	1.5V AAA Battery×3
Battery Life	More than 2-years to 5sec at the sample interval
Warm up Time	5 minutes
Display	5 Digit LCD With Backlight

PERFORMANCE AT 23°C

Accuracy	$\pm 0.25\%$ FSO (Includes Linearity, Hysteresis & Repeatability)
Operating Temperature	-40 to 125°C
Ambient Temperature	-20 to 70°C
Compensated Temperature	-20 to 70°C

MECHANICAL

Pressure Connections	1/4" PT male
Wetted Materials	SUS 316L
Body Materials	SUS 304
Weight	Approx, 400g
Enclosure Rating	IP65

FUNCTION

ZERO setting	One touch digital push button
INTV	Pressure Update Interval
UNIT	15 fields selectable

INSTALLATION

■ LOCATION

Select your site location , Clean and dry, no shock and vibration, proper to the ambient temperature and humidity in use.

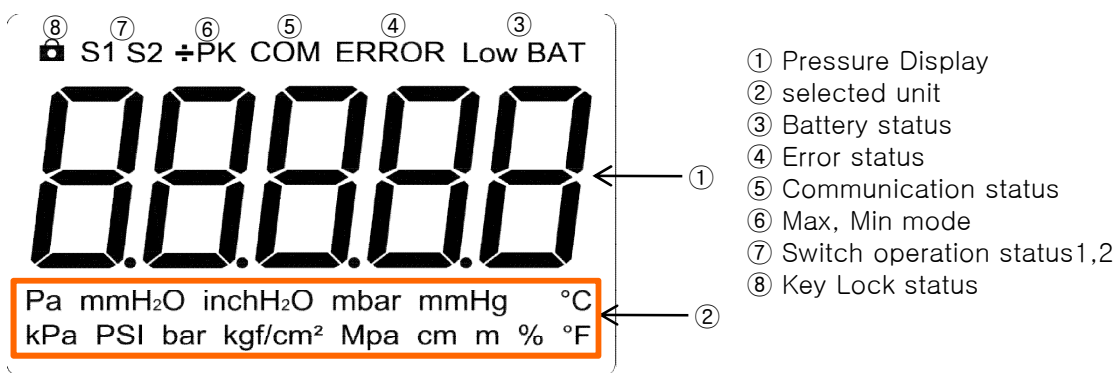
■ CAUTION

- Do not supply shock pressure to pressure ports. It may cause to sensor broken
- Give it more about 5 minutes after power on PATM for warming up

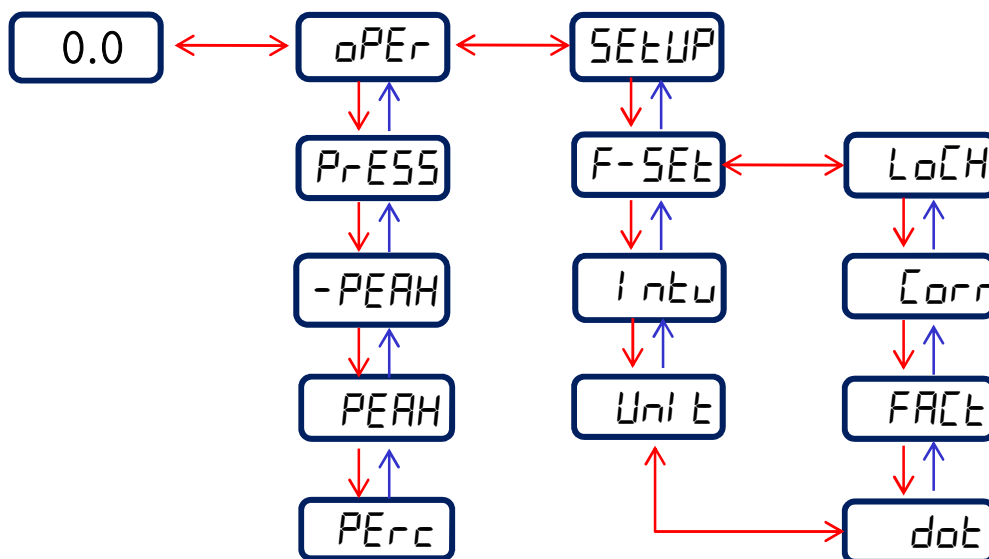
KEY SWITCH FUNCTION

KEY	FUNCTION
	POWER ON/OFF (Press 5sec above) Into the USER setup menu, Go to back step or exit to measurement mode
	Move to next step / Setting value change 0 → 9
	Move to back step / Setting value change 9 → 0 Backlight ON/OFF
	Into the setup mode / save setup Zero setting(press 3sec or above in PV)

DESCRIPTION of LCD DISPLAY



MODE AND MENU FLOWCHART



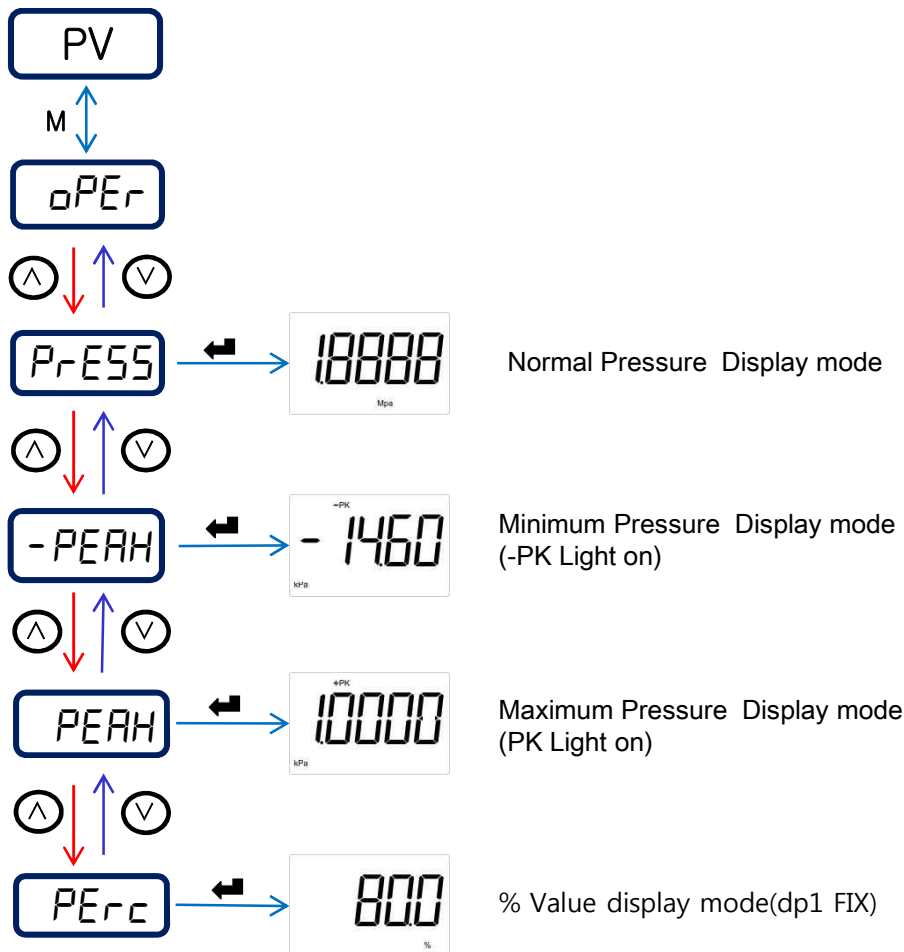
MENU Description

Display	Description
oPEr	Display select menu
SEtUP	Parameter setup menu
PrESS	Normal pressure display on LCD
-PEAH	Minimum pressure display on LCD
PEAH	Maximum pressure display on LCD
PErc	Percent Display(0~100%) on LCD
F-SEt	Initializing(to Factory setting parameter)
Intu	Pressure sampling interval setting(0~600 sec)
Uni t	Pressure unit selection
dot	Setting decimal point position (0~4)
FACt	Setting specific gravity of apply media(0.5~1.5)
Corr	Compensation inclin setting(-30~30)
LoCH	Key lock on/off setting
rEtN	Return to back menu

UNIT select menu

Display	Application Unit	LCD
MPA	Mpascal	Mpa
bar	bar	bar
mbar	mbar	mbar
PSI	psi	PSI
mmH2O	mmH ₂ O	mmH ₂ O
Kg cm	Kg/cm ²	Kgf/cm ²
inchH2O	inchH ₂ O	inchH ₂ O
mmHg	mmHg	mmHg
meter	meter	m
cm	centimeter	cm
PA	pascal	Pa
KPA	kpascal	kPa

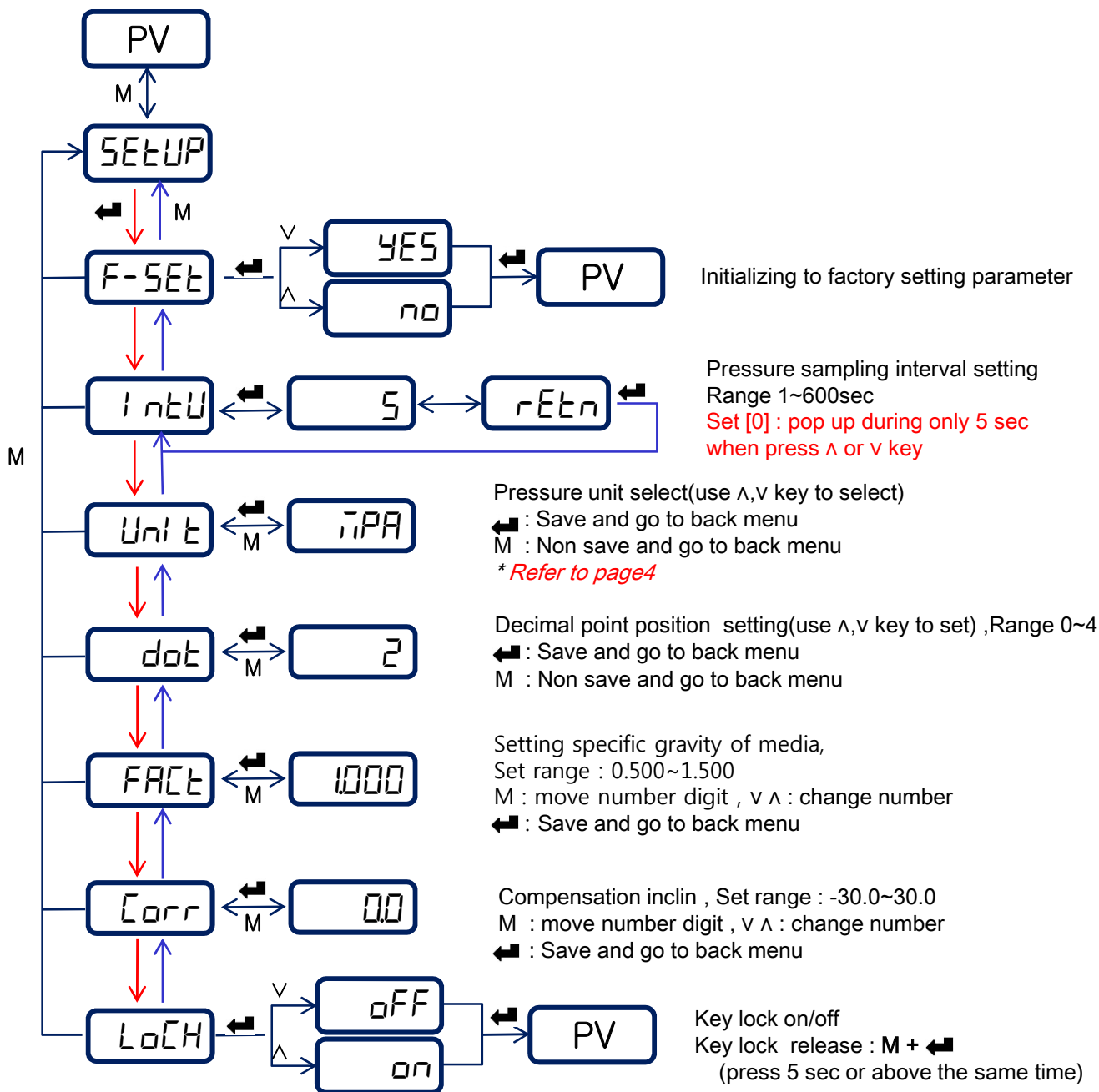
DISPLAY SETUP MODE



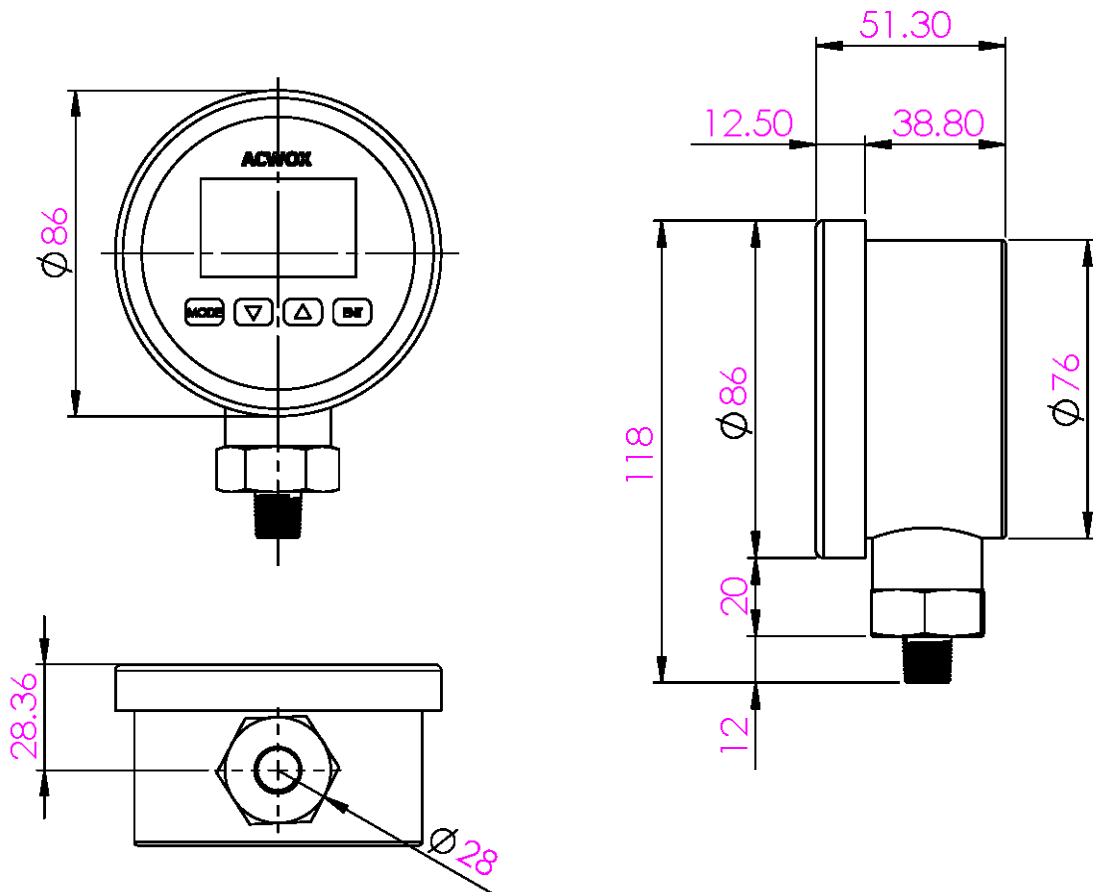
※ display on that last selected mode

※ M : non saving and return to back step or exit to measurement mode

PARAMETER SETUP MODE



LAY OUT



Warranty period

one year from date of shipment

- This warranty does not apply under the below condition
 - Label is removed
 - Gauge is abused, altered, used at ratings above the maximum specified
 - Otherwise misused in any way

#1005, Hoseo-Dae Venture tower, 70 Gasandigital1-ro, Geumcheon-gu,
 SEOUL KOREA
 • TEL [02]806-4401, FAX [02]806-4414
 E-mail : ymkim@ulfatech.co.kr(com)

