

# Product Datasheet

## Wall mounted GRP closed bowl eye wash with integral handheld shower

STD-25K

This wall mounted eye/face wash is manufactured from glass reinforced plastic (GRP) making it strong, durable and resistant to rust. For areas where low water pressure is an issue, modified diffusers can be fitted to ensure a perfect water flow is sustained. The integral handheld eye, face and body shower is ideal to wash specific areas of the body that have been subject to a chemical splash or spill, providing 8 litres per minute of flushing fluid.



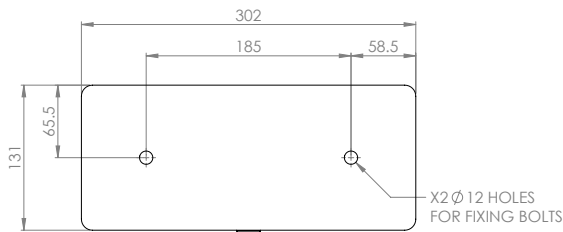
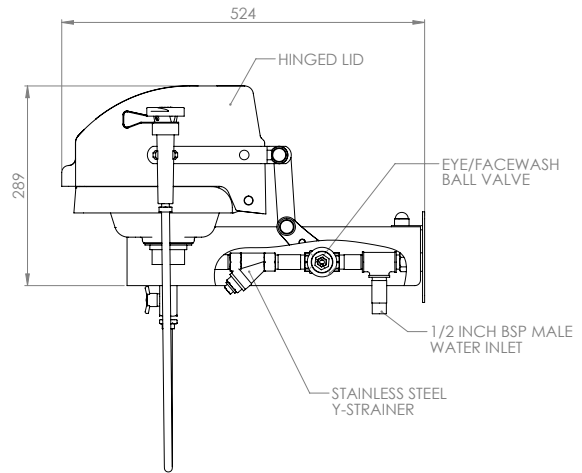
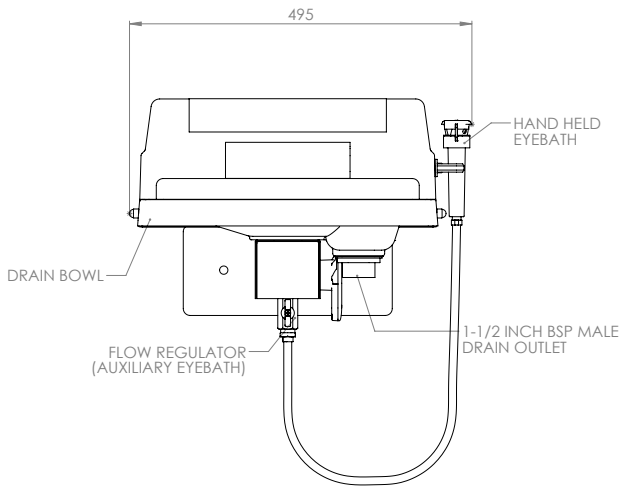
## Specifications

MATERIALS OF CONSTRUCTION	
BOWL/LID	GRP
DIFFUSERS	Chrome plated brass retaining ring, stainless steel filter mesh, plastic body
STANDARD FINISH	White with green pictogram sign
SERVICES	
WATER INLET	1/2" Male BSP
OPERATING PRESSURE	2.2 to 6 BAR G / 32 to 87 PSI (higher supply pressures accommodated with the incorporation of the optional pressure reducing valve)
MINIMUM FLOW RATES	Eye wash: 12 L per minute / 3 US gal per minute Handheld: 8 L per minute / 2 US gal per minute
AMBIENT OPERATING TEMPERATURE	
MINIMUM	5C / 41F
MAXIMUM	35C / 95F
OPERATION	
EYE/FACE WASH	Lift lid
HANDHELD	Activates when eye wash lid is operated
DIMENSIONS & WEIGHT	
DIMENSIONS (WxDxH)	495mm (19.4in) x 524mm (20.6in) x 289mm (11.4in)
WEIGHT	13kg / 29lb

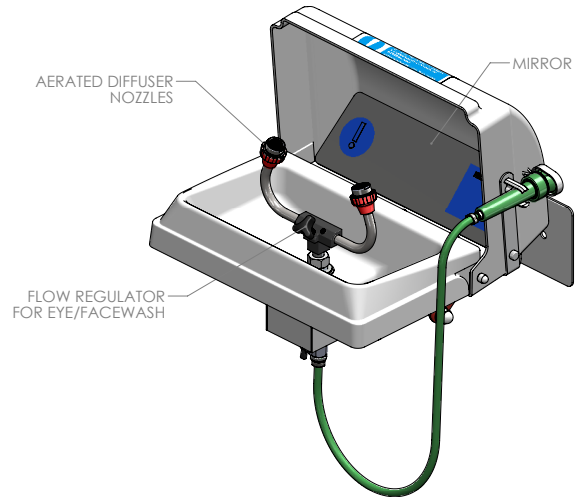
# General Arrangement Drawing

## Wall mounted GRP closed bowl eye wash with integral handheld shower

STD-25K



WALL MOUNTING DETAILS  
SCALE 1:5



ISOMETRIC VIEW  
(LID OPEN)