

EUROMAG - Magnetic Non Contact: LPR (with Integral LED)

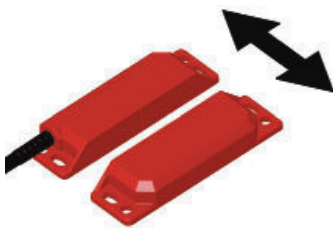
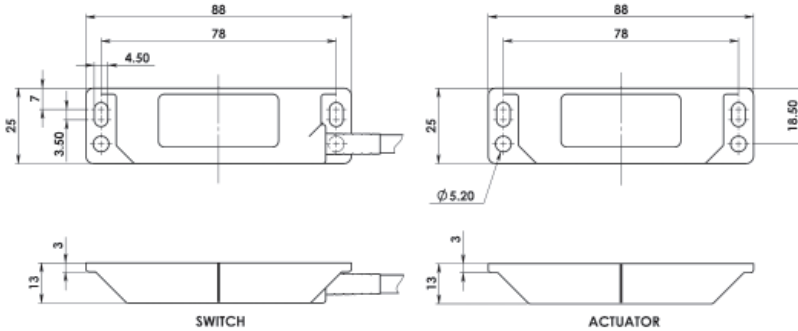
FEATURES:

- 2NC circuits for connection to safety relays to achieve up to: PLe ISO13849-1
- Integral LED indication of sensing position
- Choice of LED versions:
 - Green - ON when guard is closed
 - Red - ON when guard is open
- Popular European fitting suitable for all industry applications
- Narrow fitting to allow for flush mounting
- Wide 10mm sensing with high tolerance to misalignment
- Long life high power switching capability up to 1A
- M12 Quick Connect versions available



Integral LED (options available)
Magnetic Actuation - Power Series
Switching Tolerance up to 10mm
Will operate with most Safety Relays

DIMENSIONS:



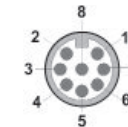
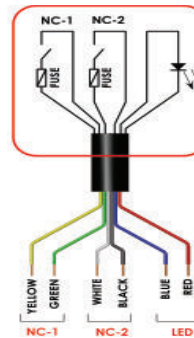
Recommended operating direction for optimum performance

Standards: ISO14119 EN60947-5-3
 EN60204-1 ISO13849-1 EN62061 UL508

Safety Classification and Reliability Data:

- | | |
|------------------------------------------|-------------------------------------------|
| Safety Channels NC1 and NC2 | Voltage free: 250Vac 1.0A Max. |
| Fuse (NC Circuits) | Fuse externally 0.8A (F) |
| Contact Release Time | <2ms |
| Initial Contact Resistance | <500 milliohm |
| Minimum Switched Current | 10Vdc 1mA |
| Dielectric Withstand | 250Vac |
| Insulation Resistance | 100 Mohms |
| Recommended Setting Gap | 5mm |
| LED Supply Voltage | 24Vdc +/-10% |
| NC Switching Distance (Target to Target) | Sao 8mm Close |
| LED (Green) | Typical 8mm ON 15mm OFF |
| LED (Red) | Typical 8mm OFF 15mm ON |
| Tolerance to Misalignment | 5mm in any direction from 5mm setting gap |
| Switching Frequency | 1.0Hz maximum |
| Approach Speed | 200mm/min to 1000mm/sec |
| Body Material | UL approved polyester |
| Operating Temperature | -25C +80C |
| Enclosure Protection | IP67 |
| Shock Resistance | IEC68-2-27 11ms 30g |
| Vibration Resistance | IEC68-2-6 10-55Hz 1mm |
| Mechanical Life Expectancy | 10,000,000 switching operations |
| Electrical Life Expectancy | 1,000,000 switching operations |

Cable Type: PVC 6 core 6mm OD Conductors 0.25mm²
 Mounting Bolts: 2xM4 Tightening torque 1.0Nm
 Mounting Position: Any



Quick Connect QC M12 8 Way Male Plug Pin view from Switch	Standard Lead Colour	Circuit (Actuator Present)
4	Yellow	NC2
6	Green	NC2
7	Black	NC1
1	White	NC1
2	Red	Supply + 24Vdc
3	Blue	Supply 0Vdc

140101	Female QC Lead	M12 Female 5m. 8 way
140102	Female QC Lead	M12 Female 10m. 8 way



Quick Connect M12 versions fitted with 250mm (10") cable



Note: The LED does not indicate the status of the NC Safety Contacts, but indicates that the actuator is aligned to give optimum performance.

LED COLOUR AND STATUS	SALES NUMBER	TYPE	CABLE LENGTH	OUTPUT CIRCUITS
LED GREEN (Illuminated when the guard is closed)	110101	Euromag LPR (with Integral LED)	2M	2NC
	110102	Euromag LPR (with Integral LED)	5M	2NC
	110103	Euromag LPR (with Integral LED)	10M	2NC
	110104	Euromag LPR (with Integral LED)	QC-M12	2NC
LED RED (Illuminated when the guard is open)	110105	Euromag LPR (with Integral LED)	2M	2NC
	110106	Euromag LPR (with Integral LED)	5M	2NC
	110107	Euromag LPR (with Integral LED)	10M	2NC
	110108	Euromag LPR (with Integral LED)	QC-M12	2NC

For all IDEM switches the normally closed (NC) circuits are closed when the guard is closed and the actuator is present.

110300	Plastic 8mm Spacers (2) for use when mounting on Ferrous Materials	1 x Switch 1 x Actuator
--------	--------------------------------------------------------------------	----------------------------