

# KOBRACODE - Coded Non Contact Type: KPC

## FEATURES:

Industry housing shape 52mm wide 98mm long 40mm fixing  
2NC 1NO semi conductor outputs for connection to safety relay  
Visual LED indication of switch status  
Fully encapsulated sealing and pre-wired 2m, 5m or 10m cable  
Wide 10mm sensing with high tolerance to misalignment  
M12 8 Way Quick Connect version available (flying lead 150mm)

## APPLICATION:

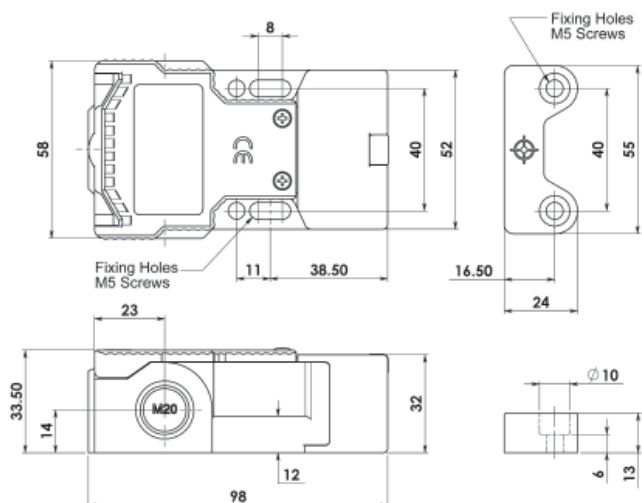
IDEM KPC Coded Non Contact switches have been designed to interlock hinged, sliding or removable guard doors.

They have an industry standard fixing and are specifically advantageous where:

- (a) severe guard alignment exists using traditional tongue type versions
- (b) long mechanical life is required (no moving or touching parts)

When used in combination with Dual Channel Safety Relays they can be used to provide up to PLe ISO13849-1 SIL3 EN62061.

## DIMENSIONS:



Pre-wired Versions (fully encapsulated)

**Standards:** ISO14119 EN60947-5-3  
EN60204-1 ISO13849-1 EN62061 UL508

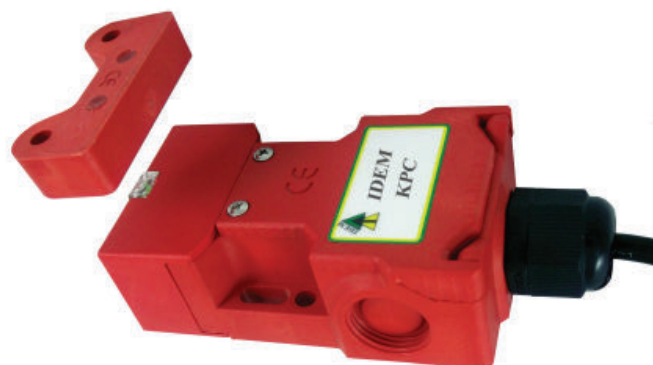
### Safety Classification and Reliability Data:

ISO13849-1	Up to PLe Category 4
PFHd	$2.6 \times 10^{-10}$
Proof Test Interval (Life)	20 years
MTTFd	866 years
Safety Channel 1 NC	24Vdc 0.2A Max. Rating
Safety Channel 2 NC	24Vdc 0.2A Max. Rating
Safety Channel 3 NO	24Vdc 0.2A Max. Rating
Minimum Switched Current	10Vdc 1mA
Dielectric Withstand	250Vac
Insulation Resistance	100 Mohms
Recommended Setting Gap	5mm
Switching Distance	Sao 8mm Close
(Target to Target)	Sar 20mm Open
Tolerance to Misalignment	5mm in any direction from 5mm setting gap
Switching Frequency	1.0Hz maximum
Approach Speed	200mm/min to 1000mm/sec
Body Material	UL approved polyester
Operating Temperature	-25C +80C
Enclosure Protection	IP67 (NEMA 6)
Shock Resistance	IEC68-2-27 11ms 30g
Vibration Resistance	IEC68-2-6 10-55Hz 1mm
Cable Type	PVC 8 core 6mm OD Conductors 0.25mm <sup>2</sup>
Mounting Bolts	2xM5 Tightening torque 1.0Nm
Mounting Position	Any

For all IDEM switches the normally closed (NC) circuits are closed when the guard is closed and the actuator is present.



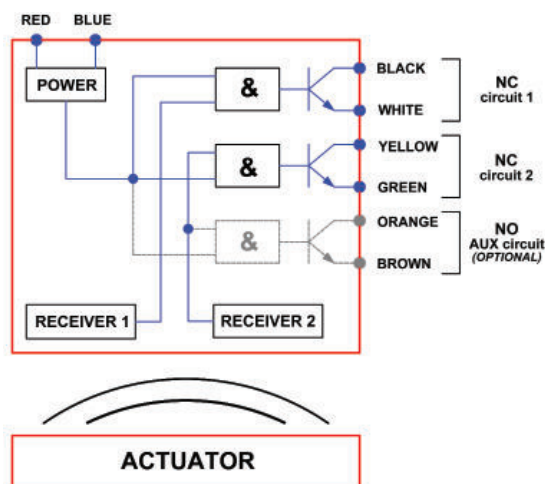
**Coded Magnetic Actuation**  
**Switching Tolerance up to 10mm**  
**Will operate with most Safety Relays**



Front Actuation

End Actuation

## SENSING PRINCIPLE:



ACTUATOR

SALES NUMBER	TYPE	CONDUIT OR CABLE EXIT	CIRCUITS
120001	Kobracode KPC	Pre-wired 2m End	2NC 1NO
120002	Kobracode KPC	Pre-wired 5m End	2NC 1NO
120003	Kobracode KPC	Pre-wired 10m End	2NC 1NO
120004	Kobracode KPC	Pre-wired 2m Left	2NC 1NO
120005	Kobracode KPC	Pre-wired 5m Left	2NC 1NO
120006	Kobracode KPC	Pre-wired 10m Left	2NC 1NO
120007	Kobracode KPC	Pre-wired 2m Right	2NC 1NO
120008	Kobracode KPC	Pre-wired 5m Right	2NC 1NO
120009	Kobracode KPC	Pre-wired 10m Right	2NC 1NO
120012	Kobracode KPC	QC M12 8 Way 150mm End	2NC 1NO