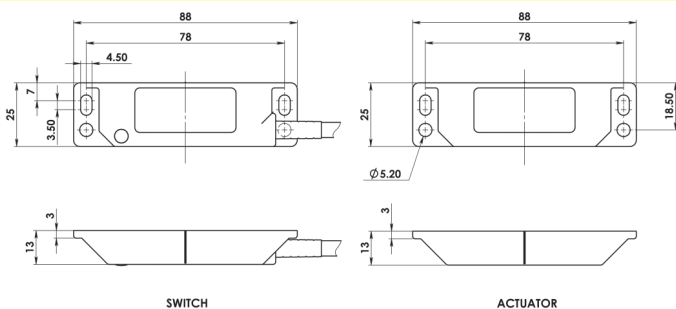


RFID Coded Non Contact Type: LPF

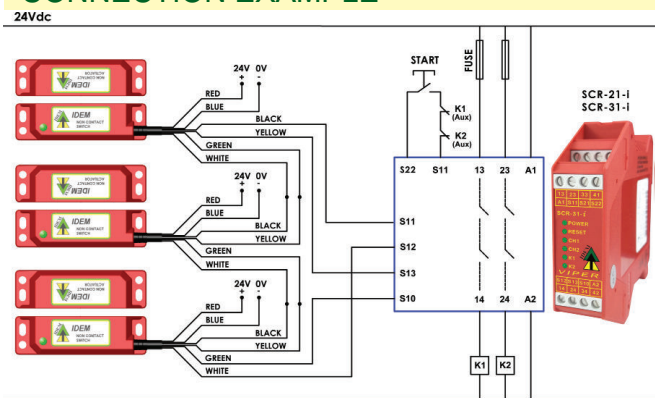
FEATURES:

- Popular European fitting suitable for all industry applications
- LED indication
- Can be high pressure hosed at high temperature due to IP69K rating
- Wide sensing at 14mm with high tolerance to misalignment
- High specification polyester housing with integral back plate
- Quick Connect versions available
- Up to: PLe ISO13849-1
- 2NC 1NO circuits - high switching life - no moving parts
- Magnet holding option available for use with small guards

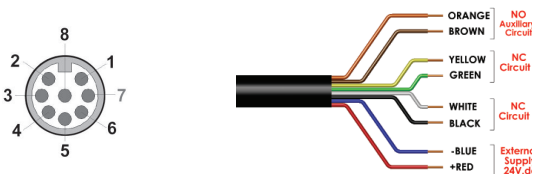
DIMENSIONS:



CONNECTION EXAMPLE



0V
Three switches connected in series to an SCR-21-i or SCR-31-i to give Dual Channel monitoring with monitored Manual Start and Contactor Feedback Check



Quick Connect QC M12 8 Way Male Plug Pin view from Switch	Flying Lead Colour	Circuit (Actuator Present)	Output Types Solid State
8	Orange	Auxiliary NO	200mA Max. 24Vdc
5	Brown	Auxiliary NO	200mA Max. 24Vdc
4	Yellow	Safety NC2	200mA Max. 24Vdc
6	Green	Safety NC2	200mA Max. 24Vdc
7	Black	Safety NC1	200mA Max. 24Vdc
1	White	Safety NC1	200mA Max. 24Vdc
2	Red	Supply +24Vdc	Supply 24Vdc +/- 10%
3	Blue	Supply 0Vdc	Supply 24Vdc +/- 10%

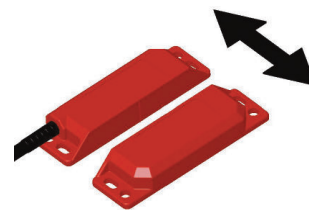
SALES NUMBER	MASTER CODED (same code every switch)	CABLE LENGTH
404101	LPF-M-RFID	2M
404102	LPF-M-RFID	5M
404103	LPF-M-RFID	10M
404104	LPF-M-RFID	QC-M12
404201	Replacement Actuator Master Coded	

For all IDEM switches the normally closed (NC) circuits are closed when the guard is closed and the actuator is present.

RFID Coded Actuation
Switching Tolerance up to 14mm
Will operate with most Safety Relays



OPERATING DIRECTION:



Standards: ISO14119 EN60947-5-3 EN60204-1 ISO13849-1 EN62061 UL508

- Safety Classification and Reliability Data:**
- Minimum switched current: 10V.dc 1mA
 - Dielectric Withstand: 250V.ac
 - Insulation Resistance: 100 Mohms
 - Recommended setting gap: 5mm
 - Switching Distance: Sao 8mm Close Sar 20mm Open
 - Tolerance to Misalignment: 5mm in any direction from 5mm setting gap
 - Switching frequency: 1.0 Hz maximum
 - Approach speed: 200mm/m to 1000mm/s
 - Body material: Polyester
 - Temperature Range: -25/80C
 - Enclosure Protection: IP67/IP69K
 - Cable Type: PVC 6 or 8 core 6mm OD Conductors 0.25mm²
 - Mounting Bolts: 2 x M4 Tightening torque 1.0 Nm
 - Mounting Position: Any

Characteristic Data according to IEC62061 (used as a sub system):

- Safety Integrity Level: SIL3
- PFH (1/h): 4.77E-10 Corresponds to 4.8% of SIL3
- PFD: 4.18E-05 Corresponds to 4.2% of SIL3
- Proof Test Interval T_i: 20a

Characteristic Data according to EN ISO13849-1:

- Performance Level: e If both channels are used in combination with a SIL3/PLe control device
- Category: Cat4
- MTTFd: 1100a
- Diagnostic Coverage DC: 99% (high)
- Number of operating days per year: d_{op} = 365d
- Number of operating hours per day: h_{op} = 24h
- B10d: not mechanical parts implemented

When the product is used deviant from these assumptions (different load, operating frequency, etc.) the values have to be adjusted accordingly.

140101	Female QC Lead	M12 Female 5m. 8 way
140102	Female QC Lead	M12 Female 10m. 8 way