

# Tongue Interlock Safety Switch Type: IDIS-1

## FEATURES:

IDEM IDIS-1 Compact Safety Interlock switches are designed to provide position interlock detection for small moving guards.

They are designed to fit to the leading edge of sliding, hinged or lift off machine guards.

The rugged Stainless Steel actuator profile is designed to match a cam mechanism to provide a positively operated not easily defeatable interlock mechanism.

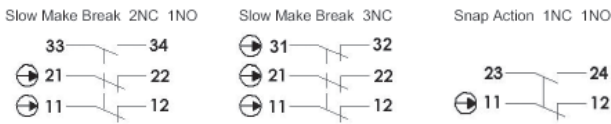
The compact body, 22mm fixing profile and rotatable head make them easy to install where space is restricted.

A Plastic Flexible Actuator is available for tight radius guards.

Contact blocks are replaceable with optional slow or snap break operation.



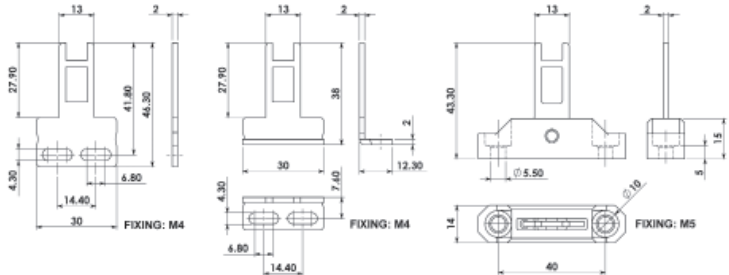
## CONTACT BLOCK OPTIONS:



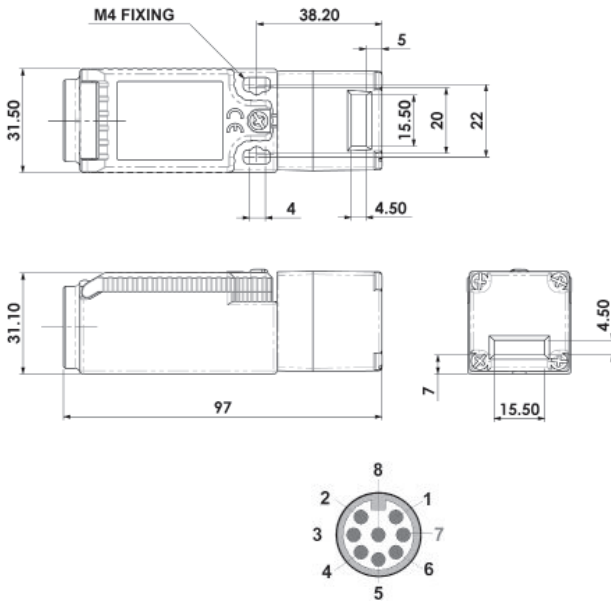
## ACTUATOR OPTIONS:



## ACTUATOR DIMENSIONS:



## DIMENSIONS:



Switch Circuit	Quick Connect (QC) M12 8 Way Male (on Flying Lead 250mm) Pin View from Switch
11/12	1 7
21/22 or 23/24	6 5
33/34 or 31/32	4 3

**Standards:** ISO14119 EN60947-5-1 EN60204-1  
ISO13849-1 EN62061 UL508

### Safety Classification and Reliability Data:

Mechanical Reliability B10d	2.5 x 10 <sup>6</sup> operations at 100mA load
ISO13849-1	Up to PLe depending upon system architecture
EN62061	Up to SIL3 depending upon system architecture
Safety Data – Annual Usage	8 cycles per hour/24 hours per day/365 days
	MTTFd 356 years
Utilization Category	AC15 A300 3A
Thermal Current	10A
Rated Insulation/Withstand Voltages	600Vac/2500Vac
Travel for Positive Opening	6mm
Actuator Entry Minimum Radius	175mm Standard 100mm Flexible
Maximum Approach/Withdrawal Speed	600mm/s
Body Material	Polyester
Enclosure Protection	IP67
Vibration	IEC 68-2-6 10-55Hz + 1Hz
	Excursion 0.35mm 1 octave/min
Conduit Entry	Various (See Sales Number)
Fixing	2 x M4

PRODUCT	CONTACTS	SALES NUMBER		
		M20	1/2" NPT	QC M12 8 WAY
IDIS-1 Switch	2NC 1NO	190050	190051	190053
IDIS-1 Switch	3NC	190054	190055	190057
IDIS-1 Switch	1NC 1NO Snap	190058	190059	190061
Actuator	Flat	Add F to Sales Number		
Actuator	Angled	Add A to Sales Number		
Actuator	Plastic Flexible	Add PF to Sales Number		

Gold Plated Contacts available for low power circuits (5V 5mA).  
Add GC to Sales Number e.g. 190050-GC



FEMALE QC LEADS	LENGTH	SALES NUMBER
M12 8 Way	5m (15ft)	140101
M12 8 Way	10m (30ft)	140102