

Smart Radar Level Transmitter

ALT6210

Overview

The ALT6210 is a reliable 2-wire radar level transmitter for liquids and slurries, designed for outstanding performance in a wide range of applications and process conditions. It measures level directly and is unaffected by most fluid property changes, including temperature, pressure, vapor gas mixture, density, turbulence, bubbling/boiling, dielectric, pH, viscosity, crystallization, etc.

Features

- Non-contacting, making it virtually unaffected by process conditions
- No moving parts, means little or no Maintenance
Less affected by coating with Condensation Resistant Antenna
- Reduced echoes from obstacles / tank walls with Circular Polarization
- Continuous measurement of level or distance-to-surface.



Specification

Measuring range	0.5 ~ 35 meter, 0.5 ~ 70 meter
Frequency	~ 26 GHz
Power	18 ~ 45VDC
Accuracy	+/- 3 mm
Output	4 ~ 20 mA
Ambient Temperature	-24 to + 80 °C
Process Temperature	-40 to + 165 °C
Process Pressure	10 bar
Response Time	< 5second
Warm-up Time	< 30 seconds

ALT6210 Ordering Information

Model	Description		
ALT6210	Radar Level Transmitter (26GHz)		
Code	Measurement		
-L	Level		
-D	Distance		
Code	Antenna Type		
2H	Horn Antennas / 2" / 120 mm / SST*		
3H	Horn Antennas / 3" / 220 mm / SST*		
4H	Horn Antennas / 4" / 285 mm / SST		
4P	Process seal Antennas / Polypropylene		
1E	Encapsule Antennas / 2" Threaded connection / Polypropylene		
2E	Encapsule Antennas / 2" Threaded connection / PTFE		
1P	Parabolic antennas*		
S	Special*		
Code	Process Connection		
A21	2" ANSI, #150*	Flange	
A31	3" ANSI, #150*		
A41	4" ANSI, #150		
A61	6" ANSI, #150		
A81	8" ANSI, #150		
J05	JIS 50A, 10K*		
J08	JIS 80A, 10K*		
J10	JIS 100A, 10K		
J15	JIS 150A, 10K		
J20	JIS 200A, 10K		
T1	2" NPT		Threaded connection (for Encapsule Antennas)
T2	3" NPT		
T3	4" NPT		
S	Special*		
Code	Process Temperature / Pressure		
S	Standard		
HP	High Temperature & High Pressure*		
Code	Material of Construction : Process Connection / Antenna		
S	304 SST		
T	316 SST		
P	CPVC		
F	Polypropylene (for Process seal and Encapsule antennas)		
S	Special*		
Code	O-ring Material		
V	Viton		
B	Buna-N		
Code	Electrical Connection		

1	1/2-14NPT
2	G1/2-14
X	Special*
Code	Hazardous Location Certifications
-K0	Maker Standard (Waterproof:IP67)*
-K1	Korea Flameproof Approval(KCs)*
Code	Option
M1	LCD Indicator
LP	Lightening Protector
BR	Stainless Steel Bracket (with SST Bolts)
ST	Stainless Steel Housing
Code	Remote Housing Cable
-N	NON
-R□□□... □ (with unit)	Remote Housing Cable (meter/ft/mm/inch...)*

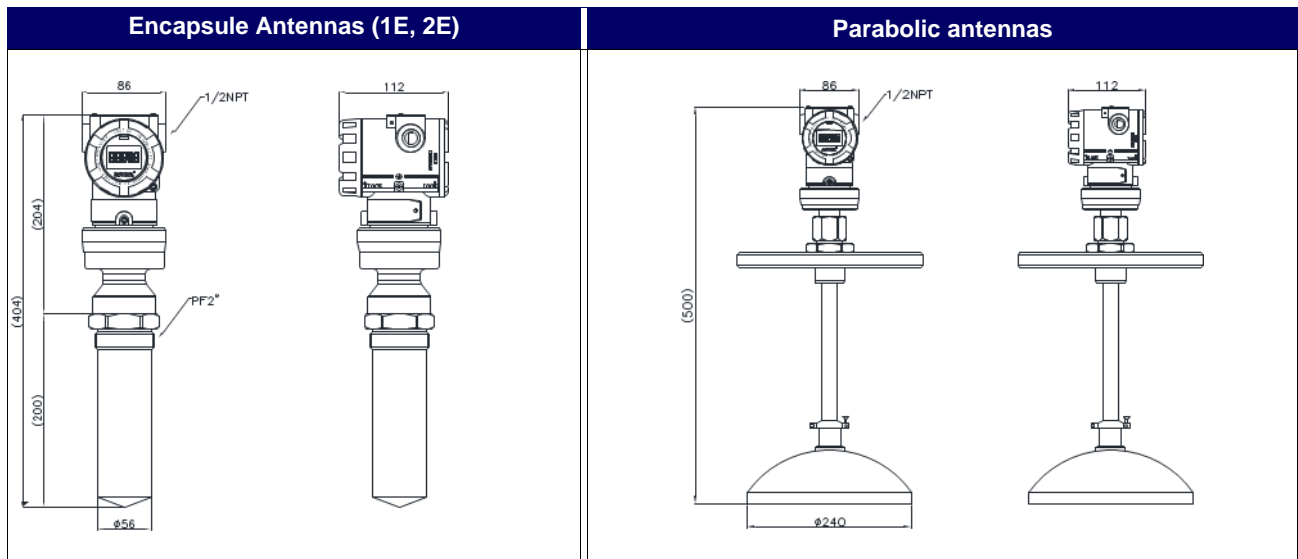
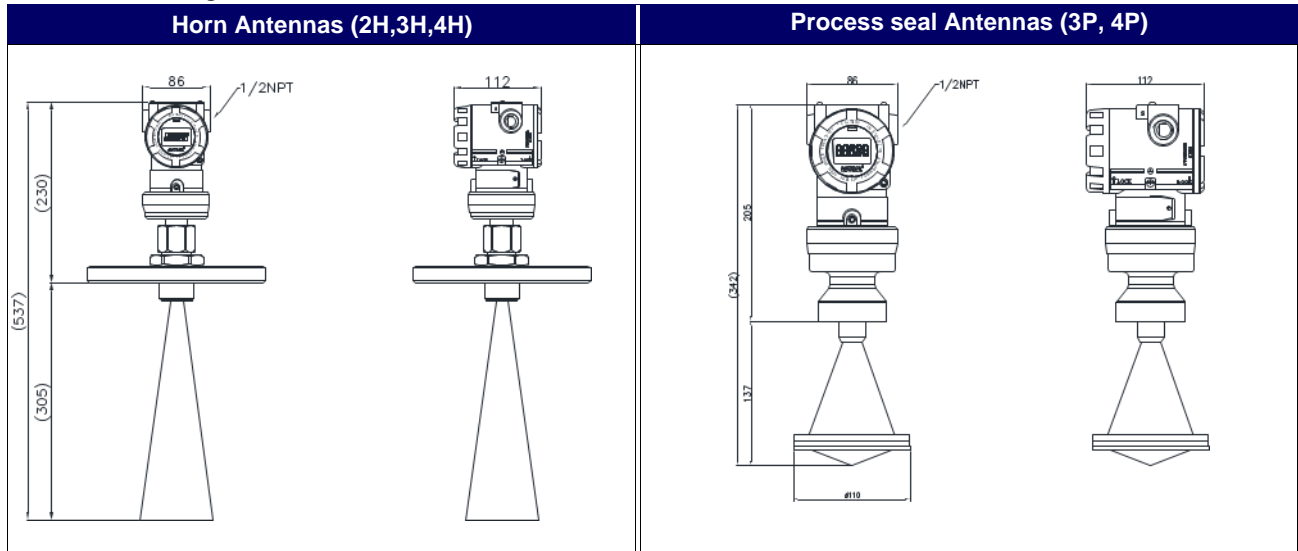
Example : ALT6210-L6HA61SSV1K0M1N

Radar Level Transmitter, 6" Horn Antenna, 6" ANSI, #150, Flange,
Standard Temp/Pressure,
Material of Construction 304 SST, Viton O-ring, Maker Standard
, LCD Indicator

Certification

Note : "*" consult manufacturer before order

Antenna Drawings



Operation Manual

