



SOLTECH

CARTRIDGE VALVES

DIRECTIONAL POPPET VALVE-700 Bar

[SPV-700]

※SPECIFICATION

Model	Max. Pres. MPa(PSI)	Max. Flow ℓ/min(GPM)	Filtration	Weight (Kg)
SPV	70 (10,000)	25(6.6)	according to NAS 1638 class 6 resp. ISO/DIN 4406 17/15/12	0.68



※GRAPHIC SYMBOL

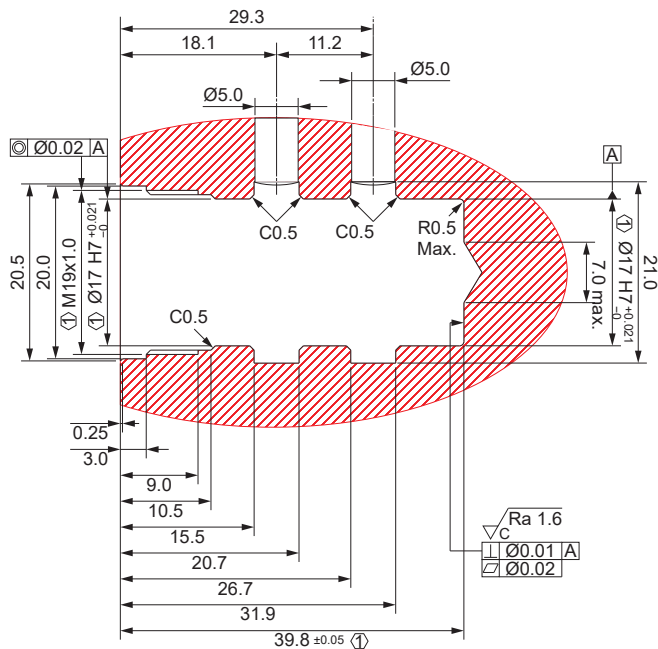
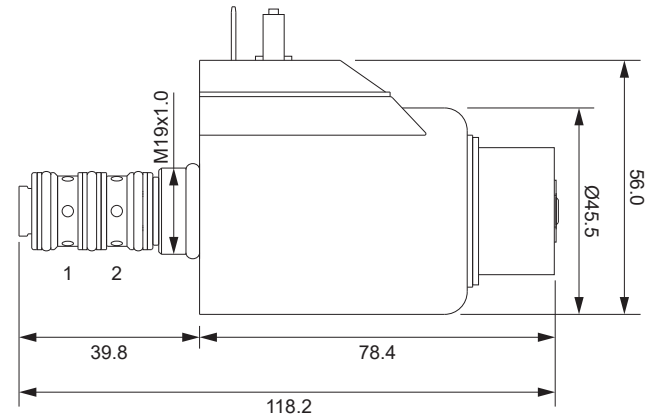


※MODEL NUMBER DESIGNATION

SPV-	(T)-	700-	6	M-	E-	2/	2-	W-	D24-	V
Series No.	Valve Housing Omit: Without Valve Housing T Valve with IN-LINE Housing	SIZE 700	Normal Size	Connection Thread M: Metric	Design Cartridge E	Number of Ports 2	Number of Position 2	Control Function Refer to Graphic Symbol	Voltage D12: DC 12V D24: DC 24V R110: RF 110V (Rectified) R220: RF 220V (Rectified)	Seal Material FKM

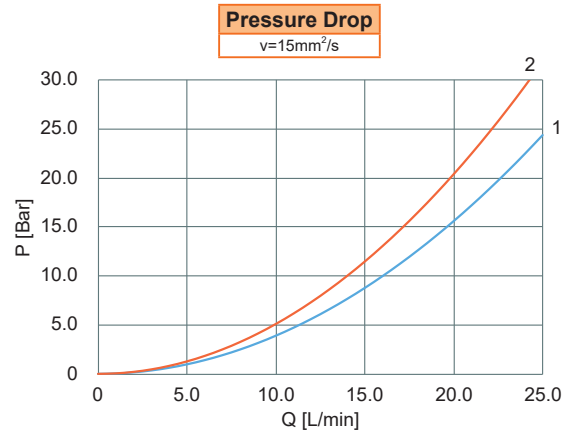
★ The item with "(" may be omitted.

※DIMENSIONS & CAVITIES

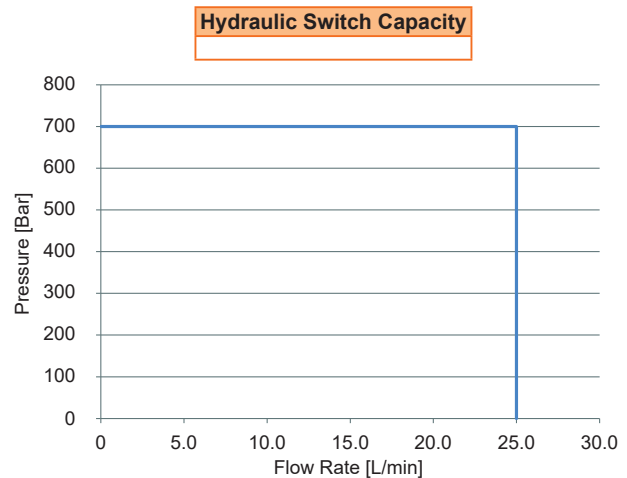


① Machined in one clamping

※PERFORMANCE CURVE



Valve Type	Control Function	1-2	2-1
2/2	W	1	1
2/2	V	2	2





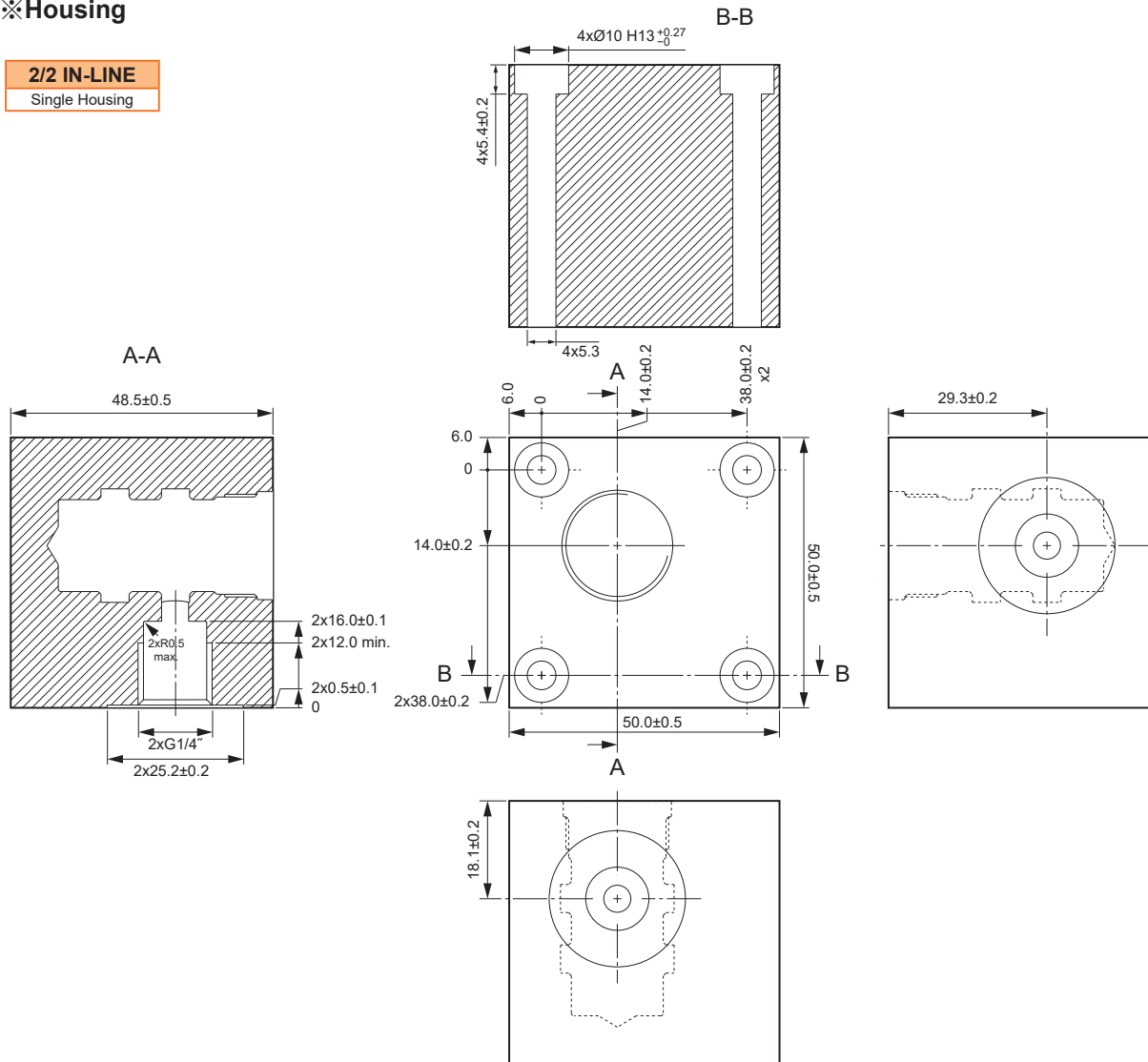
SOLTECH

CARTRIDGE VALVES

DIRECTIONAL POPPET VALVE-700 Bar

※Housing

2/2 IN-LINE
Single Housing



G