



eltex

electrostatic
innovations



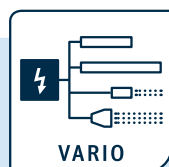
blueBAR R50

The robust All-Rounder bar

The isolated ground conductor amplifies the E-field of the blueBAR R50, resulting in a significantly higher active discharge power. The resistor-decoupled tips ensure a reliable discharging and make the bar absolutely short-circuit and touch-proof.

Advantages at a glance

- high discharge range and hence great depth effect
- high active discharging power through patented, isolated ground conductors
- high safety standards through passive discharging power with deactivated power supplies
- no health hazards in case of electric shocks when touching individual tips (≤ 10 tips)



Suitable for connecting
one or more Eltex
discharge components:



POWER IONIZER



BASE IONIZER ES60



COMPACT IONIZER ES24


blueBAR R50

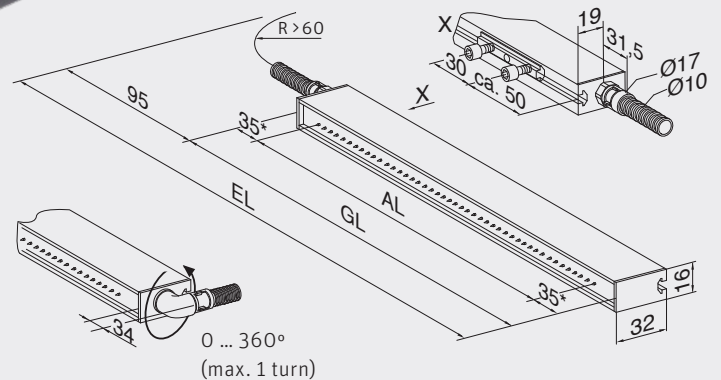
Technical Information

| | |
|---------------------------|-------------------------------------|
| Bar element | glass-fibre-reinforced plastic GRP |
| Encapsulation material | polyurethane, UL-94 V-0 |
| Emission tips | stainless steel |
| Installation material | plastic sliding nuts |
| Operating ambient temp. | 0 ... +80 °C |
| Ambient humidity | max. 70 % RH, non-dewing |
| Available active lengths | 15 – 5910 mm in 15 mm steps |
| Dimensions | 16 x 32 mm, max. length 5980 mm |
| Weight | approx. 0,5 kg/m |
| Operating voltage | max. 6 kV AC |
| High voltage connection | axial or radial (rotatable by 360°) |
| Short circuit current/tip | max. 0.046 mA |
| Contact protection | according to EN 61140 |
| Approval | optional: UL |

Dimensions



EL = Installation length
AL = Active length
GL = Total length



Sliding nuts

Scope of delivery related to total length

- up to 1 m: 2 pieces / bar
- up to 2 m: 3 pieces / bar
- up to 3 m: 4 pieces / bar
- up to 4 m: 5 pieces / bar
- up to 5 m: 6 pieces / bar
- up to 6 m: 7 pieces / bar

The sliding nuts (2) are included in the scope of delivery. In addition, there is an M8 adapter plate (3) or a complete HA50 bracket available with short (5) or long angle (4), with and without magnet (6).

Attachment options

