

SERIES 4000

Description

The Series 4000 Quick Opening Valve functions as in-line on-off switch particularly suited to applications in Instrumentation and Control Panels to open and close circuits or isolate gauges. The unique design of these valves permits full-closed to full-open operation quickly with a 60° turn of the knob. Standard units will detent in the selected position or, if desired, can be spring loaded (Option R) to return to the off position when released. The Series 4000 is offered in 2-way and 3-way designs. The 2-way design is a snap action on-off control, while the 3-way design offers the same snap on-off action while venting the downstream pressure to atmosphere when in the off position. These valves are compact in size and can be utilized for in-line and panel mount applications. Valves can be ordered Cleaned and Packaged for Oxygen service.

Technical Data

- Max Operating Pressure: 125 Psig (8.6 Bar)
- Temperature Range: -20°F to 300°F (-29°C to 149°C)
- Flow Coefficient (C_v): 0.5
- 2-Way or 3-Way (vents downstream to atmosphere thru 3/32" orifice) Configurations
- 100% Factory Tested for Bubble Tight Shut Off
- Optional Spring Return to Close
- Standard Panel Mount:
 - Supplied with "Off – On" Aluminum Indicator Plate (1/16" thick, 1-5/8" diameter) and Panel Nut
 - 5/8" Panel Hole
 - 5/32" Maximum Panel Thickness

Materials of Construction

Component	Material
Body, Stem, Housing, Bonnet, Valve Seat, Valve Cup, Rollers, Locknut	Brass, ASTM B16
Knob	Thermosetting Phenolic
Indicator Plate	Aluminum
Spring	17-7 SS, ASTM A313
Roller Pin	Hardened Steel
Set Screw	Steel (Black Oxide)
Valve Seal, O-Ring	FKM



Model Q-44

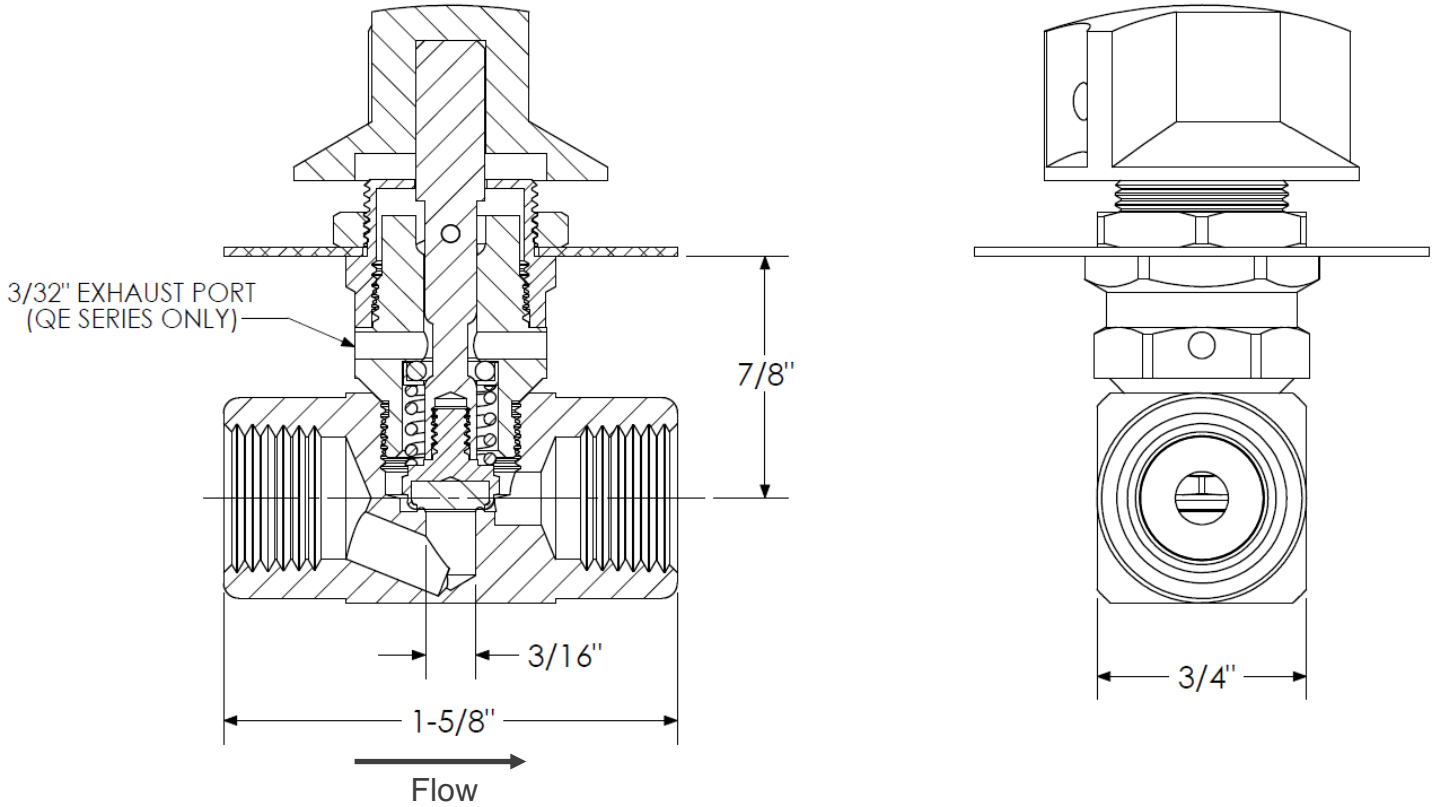


Model Q-45

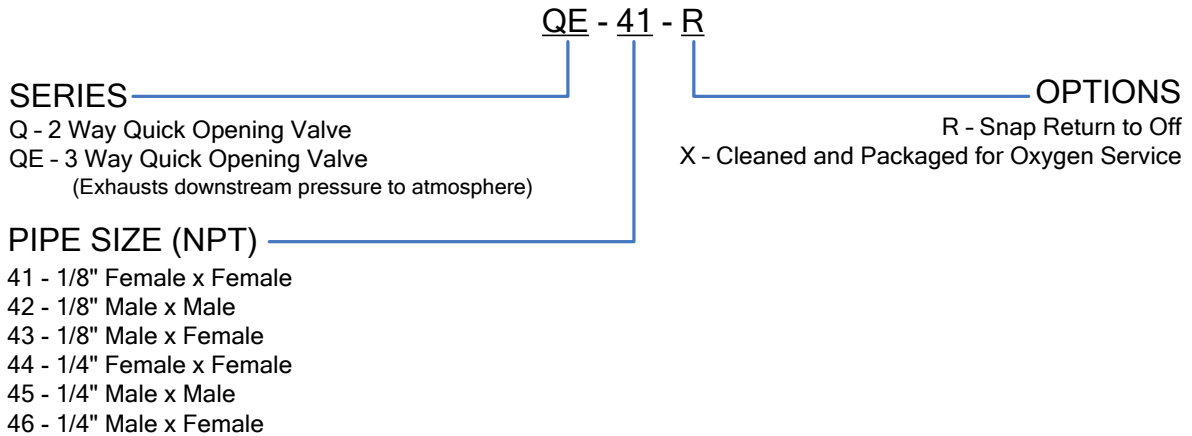


Model QE-44

QUICK OPENING VALVE



How To Order



PROPER COMPONENT SELECTION – When specifying a component, the total system design must be considered to ensure safe and trouble-free performance. Intended component function, materials compatibility, pressure ratings, installation, environment and maintenance are the responsibility of the system designer.

GENERANT

www.generant.com

1865 Route 23 South PO Box 768 Butler, New Jersey 07405 973.838.6500 Fax 973.838.4888