

## PISTON AND MEMBRANE PRESSURE SWITCHES

This device is normally used to control minimum and maximum pressure. It is equipped by a precise anti-oil element with terminal sockets connection.

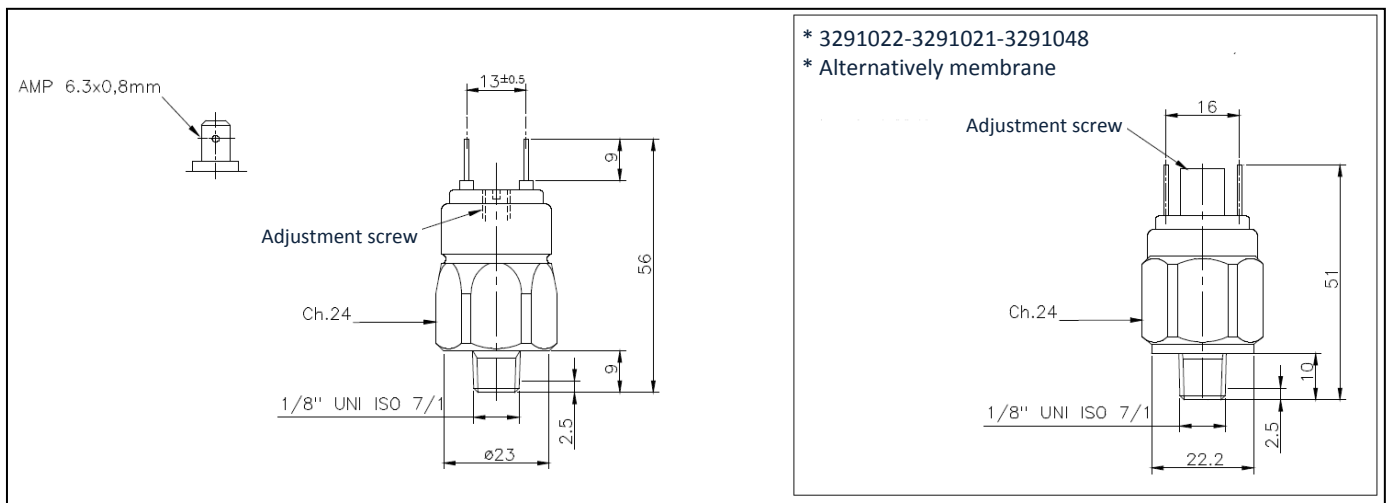
NO electrical contact closes at the calibrated pressure, while the NC contact opens to the calibrated pressure.

It is particularly suitable in circulation systems and generally connected to main line controlling increasing pressure OR decreasing pressure.

It is possible to purchase a protective rubber cover (Code: 3042098) that allows to shield the internal components against water and dust. It also provides a safe electrical connection.



### DIMENSIONS



## TECHNICAL INFORMATION

TECHNICAL FEATURES	
Max voltage	48V
Max flow contact	0.5A
Max number of switching	200/min
Temperature range	-20° C + 80° C
Mechanical life	10 <sup>6</sup> operations
Protection	IP54 with rubber cover 3042098

## ORDERING INFORMATION

PART NUMBER		ADJUSTEMENT		SETTING	MAX PRESSURE	TYPE
Contact 1	Contact 2			Bar	Bar	
3291022	3291021	20 ÷ 50	± 2	30	300	Piston
3291024	3291025	0.1 ÷ 1	± 0.1	0.5	25	Membrane
3291028	3291031	1 ÷ 10	± 0.5	3	300	Piston
3291034		10 ÷ 20	± 1	15	300	Piston
3291048	3291035	10 ÷ 20	± 1	18	300	Piston
3291055		1 ÷ 20	± 0.5	6	300	Piston

1) NO contact closes to calibrated pressure

2) NC contact opens to calibrated pressure

sales@dropsa.com  
www.dropsa.com

**ITALY**  
Dropsa SpA  
t. +39 02-250791  
f. +39 02-25079767  
**U.S.A.**  
Dropsa Corporation  
t. +1 586-566-1540  
f. +1 586-566-1541

**U.K.**  
Dropsa (UK) Ltd  
t. +44 (0)1784-431177  
f. +44 (0)1784-438598  
**AUSTRALIA**  
Dropsa Australia Ltd.  
t. +61 (02)-9938-6644  
f. +61 (0)2-9938-6611

**GERMANY**  
Dropsa GmbH  
t. +49 (0)211-394-011  
f. +49 (0)211-394-013  
**BRAZIL**  
Dropsa do Brazil  
t. +55 (0)11-563-10007  
f. +55 (0)11-563-19408

**FRANCE**  
Dropsa Ame  
t. +33 (0)1-3993-0033  
f. +33 (0)1-3986-2636  
**CHINA**  
Dropsa Lubrication Systems (Shanghai) Co., Ltd  
t. +86 (021) 67740275  
f. +86 (021) 67740205