

All 316L stainless steel construction makes this meter suitable for low-flow, high-pressure application.



## DESCRIPTION

<b>Metering Tube</b>	316L SS
<b>Internal Components</b>	316L SS, Hastelloy® C-276
<b>Case and Side Cover</b>	Die cast aluminum
<b>Fitting Material / Type</b>	316L SS ¼" FNPT, horizontal
<b>Scale Cover</b>	304 SS frame Annealed glass window
<b>O-Ring</b>	EPR, Buna N, Kalrez®

## PERFORMANCE

<b>Flow Capacities</b>	Water	0.6 to 25 GPH (2.4 to 95 LPH)
	Air	1 to 120 SCFH (28.3 to 3,400 SLPH)
<b>Accuracy</b>	± 5% of full scale flow	
<b>Repeatability</b>	1 %	
<b>Turndown</b>	10:1	
<b>Ambient Temperature</b>	-40°F to 125°F (-40°C to 52°C)	
<b>Maximum Temperature</b>	<b>O-Ring</b>	<b>Maximum Temperature</b>
	EPR	300° F (149° C)
	Buna N	275° F (135° C)
	Viton	350° F (177° C)
	Kalrez	400° F (204° C)
	No O-ring	400° F (204° C)
<b>Maximum Pressure</b>	Valve models — 1,500 psig Non-valve models — 4,000 psig	

## OPTIONS

<b>Alarm</b>	Single, Inductive Slot Sensor
<b>Certified Calibrations</b>	ISA RP 16.6
<b>Control Valves</b>	Inlet and outlet
<b>CRNs</b>	All Canadian provinces
<b>Rear Mounting Bracket</b>	304 SS
<b>Scales</b>	Any volumetric unit

## ALARM OPTIONS:



7100 with Inductive Slot Sensor

### Inductive Slot Sensor

The alarm mechanism in this flowmeter is an inductive slot sensor. It is a 2-wire, DC, low current device designed to be used with a switch isolator / barrier.

The operating temperature range for this sensor is -13°F to 158°F (-25°C to 70°C).

Note: We can supply the isolator / barrier upon request, but the user must provide the power supply voltage.

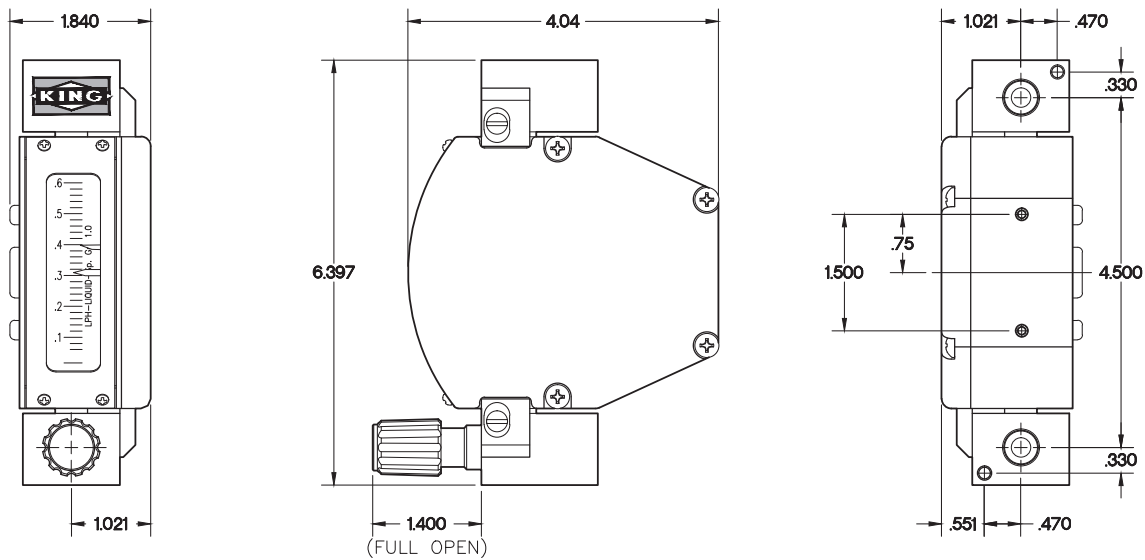
# 7100 Series Specifications

## Stainless Steel Tube

Order Number	Full Scale Flow Water GPH	Full Scale Flow Water LPH
02W	.6	2.4
04W	1.2	4.5
06W	2.8	10.5
08W	5.5	20
10W	12	45
12W	25	95

Order Number	Full Scale Flow Air SCFH	Full Scale Flow Air SLPH
00A	1.0	28.3
01A	2.5	70
03A	5.5	155
05A	13	360
07A	24	680
09A	55	1550
11A	120	3400

### DIMENSIONS (INCHES)



① 10 - 32 THREADED PANEL MOUNTING HOLES (2 PLACES)

② 10 - 32 THREADED HOLE FOR INSTALLING THE OPTIONAL BACK MOUNTING BRACKET (2 PLACES)

### ORDERING:

Use the following guide to determine the specific product number you require.

Meter Series	Material of Construction	O-ring Material	Scale	Valve Options	Optional Alarm	Order Number
710	316L SS - 1	No O-ring - 0	Millimeter - 1	Inlet 316L SS - 1	No Alarm - 0	See Specification table above
	HST® C-276 - 2	EPR - 1	GPH Water - 2	Outlet 316L SS - 2	With Alarm - A	
		Buna-N - 2	LPH Water - 3	No Valve - 3		
		Viton® - 3	SCFH Air@STP - 4	Inlet HST® C-276 - 4		
		Kalrez® - 4	SLPH Air@STP - 5	Outlet HST® C-276 - 5		
			Non standard - 6			

\*The No O-ring option is for non-valve meters only