

Product information

Mini float switch

Series M60

Engler mini float switches are characterized by its compact and efficient design especially in the field of small vessel, system and aggregate monitoring.

The M60 series offers the user a wide range of standardized types regarding connection, fastening, material, functions as well as the possibility to assemble the mini float switch custom-made for ist process.

Despite of attractive globally competitive prices Engler also offers in this segment first-class quality and a high level of service, flexibility and customer service.

Optionally it is possible to combine the level monitoring with temperature switches or temperature sensors and thus to reach an even better efficiency in the process of the user.

For more information please look at the following pages:

2. Mini float switch M60 with plug-type connector, 3-pole DIN 175301-803
Selection possibility regarding fastening, material, function and length
3. Mini float switch M60 with plug-type connector M12, 4-, 5-, 6- and 8-pole
Selection possibility regarding fastening, material, function and length
4. Mini float switch M60 with plug-type connector 2x M12
Selection possibility regarding fastening, material, function and length
5. Mini float switch M60 with terminal housing
Selection possibility regarding fastening, material, function and length
6. Mini float switch M60 with plug-type connector 6-pole DIN
Selection possibility regarding fastening, material, function and length
7. Mini float switch M60 out of stainless steel with M12 and 3-pole DIN plug-type connectors

Product information

Mini float switch M60 with plug-type connector 3-pole DIN



Order key

M60. 1 . A1 . B4 . 100 . 200 . 01 . 01 . 1 . 600

Type mini float switch M60

Material sliding tube
 brass tube ø8 --1
 stainless steel tube ø8 --2

Switching function point A 24V/150mA
 closes on level rise -- A1
 opens on level rise -- A2
 closes on level drop -- A3
 opens on level drop -- A4

Switching function point B 230VAC/1A (1 switching point)
 24VDC/150mA (2 switching points)
 function:
 closes on level rise -- B1
 opens on level rise -- B2
 closes on level drop -- B3
 opens on level drop -- B4
Comment:
 For a device with only one switching point please use switching point B.
 Example: M60.1.B4.100.01.01.1

Switching point SPA
 in mm according to customer's indication

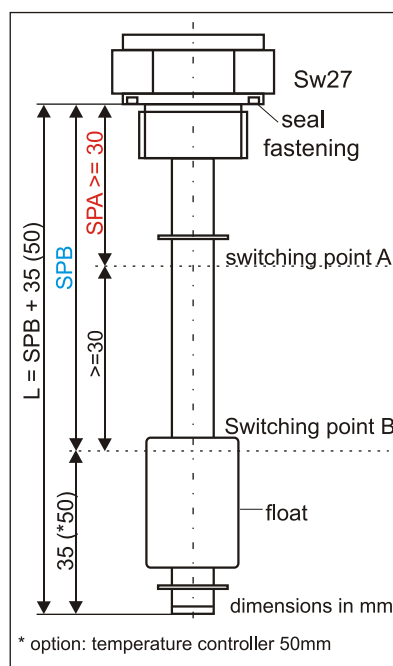
Switching point SPB
 in mm according to customer's indication

Connection -- 01
 3-pole + PE DIN EN 175301-803

Optional
 Temperature switch:
 Technical details see page 16
 60°C n.c. contact --- 600
 65°C n.c. contact --- 650
 70°C n.c. contact --- 700
 75°C n.c. contact --- 750
 85°C n.c. contact --- 850

Float
 ø17,5x25mm material NBR -- 1

- Fastening material aluminium/PA6**
- screwed connection 1/2" ----- 02
 - oval flange Lk55 ----- 23
 - screwed connection 3/4" ----- 13
 - round flange ø74 Lk60 ----- 46
 - screwed connection M20x1,5 -- 01
 - screwed connection 1" ----- 22
 - screwed connection M24x1,5 -- 33
 - screwed connection M22x1,5 -- 24



Product information

Mini float switch M60 with plug-type connector M12



Order key

M60. 1 . A1 . B4 . 100 . 200 . 02 . 01 . 1 . 600

Type mini float switch M60

Material sliding tube
 brass tube ø8 --1
 stainless steel tube ø8 --2

Switching function point A 24V/150mA

closes on level rise -- A1
 opens on level rise -- A2
 closes on level drop -- A3
 opens on level drop -- A4

Switching function point B 230VAC/1A (1 switching point) 24VDC/150mA (2 switching points)

closes on level rise -- B1
 opens on level rise -- B2
 closes on level drop -- B3
 opens on level drop -- B4

Comment:
 For a device with only one switching point please use switching point B.
 Example: M60.1.B4.100.01.01.1

Switching point length SPA
 in mm, according to customer's indication

Switching point length SPB
 in mm, according to customer's indication

Connection

- M12 4 -pole -- 02
- M12 5 -pole -- 08
- M12 6 -pole -- 17
- M12 8 -pole -- 12

Optional

Temperature switch:
 Technical details see page 16

60°C n.c. contact --- 600

65°C n.c. contact --- 650

70°C n.c. contact --- 700

75°C n.c. contact --- 750

85°C n.c. contact --- 850

Temperature sensor Pt100
 Technical details see page 16

Pt100 2 wire --- Pt100

Pt100 3 wire --- Pt103

Pt100 4 wire --- Pt104

Temperature sensor Pt1000
 Technical details see page 16

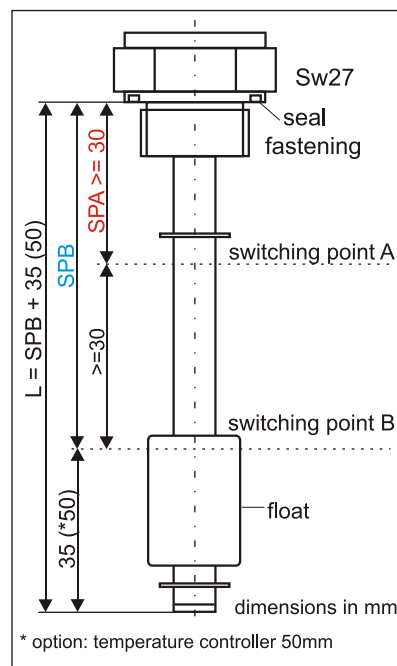
Pt1000 2 wire --- Pt1000

Float

ø17,5x25mm material NBR -- 1

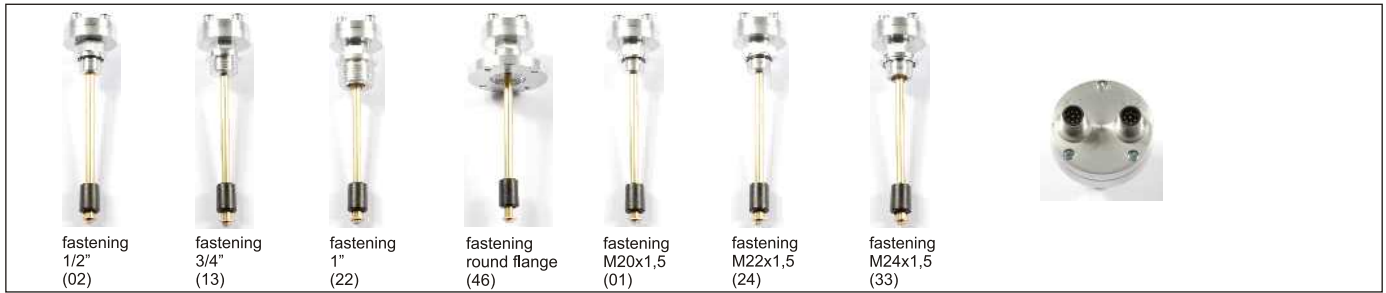
Fastening material aluminium/PA6

- screwed connection 1/2" ----- 02
- oval flange Lk55 ----- 23
- screwed connection 3/4" ----- 13
- round flange ø74 Lk60 ----- 46
- screwed connection M20x1,5 --- 01
- screwed connection 1" ----- 22
- screwed connection M24x1,5 --- 33
- screwed connection M22x1,5 --- 24



Product information

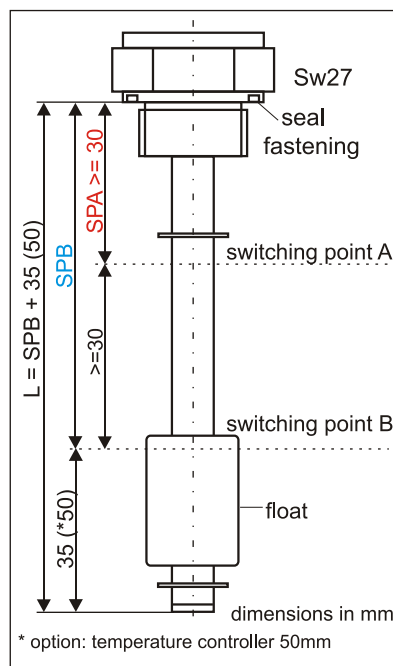
Mini float switch M60 with plug-type connector 2xM12



Order key

M60. 1 . A1 . B4 . 100 . 200 . 09 . 01 . 1 . 600

Type mini float switch M60	Optional
Material sliding tube brass tube ø8 --1 stainless steel tube ø8 --2	Temperature switch: Technical details see page 16 60°C n.c. contact --- 600 65°C n.c. contact --- 650 70°C n.c. contact --- 700 75°C n.c. contact --- 750 85°C n.c. contact --- 850
Switching function point A 24V/150mA closes on level rise -- A1 opens on level rise -- A2 closes on level drop -- A3 opens on level drop -- A4	Temperature sensor Pt100 Technical details see page 16 Pt100 2 wire --- Pt100 Pt100 3 wire --- Pt103 Pt100 4 wire --- Pt104
Switching function point B 230VAC/1A (1 switching point) 24VDC/150mA (2 switching points) closes on level rise -- B1 opens on level rise -- B2 closes on level drop -- B3 opens on level drop -- B4 Comment: For a device with only one switching point please use switching point B. Example: M60.1.B4.100.01.01.1	Temperature sensor Pt1000 Technical details see page 16 Pt1000 2 wire --- Pt1000
Switching point length SPA in mm, according to customer's indication	Float ø17,5x25mm material NBR -- 1
Switching point length SPB in mm, according to customer's indication	Fastening material aluminium/PA6 screwed connection 1/2" ----- 02 screwed connection 3/4" ----- 13 screwed connection 1" ----- 22 round flange ø74 Lk60 ----- 46 screwed connection M20x1,5 -- 01 screwed connection M22x1,5 -- 24 screwed connection M24x1,5 -- 33
Connection 2x M12 4 -pole --- 09	



Product information

Mini float switch M60 with terminal housing

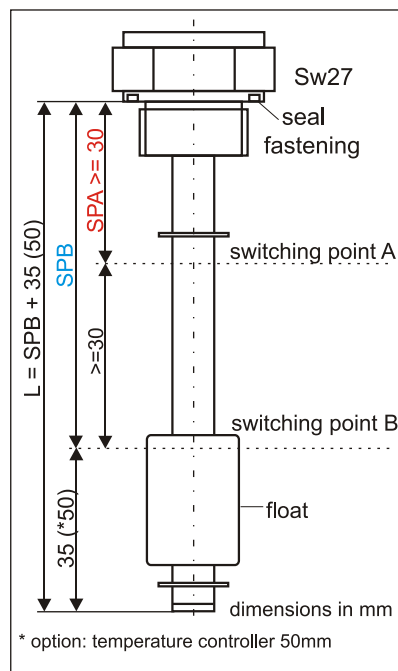


Order key

M60. 1 . A1 . B4 . 100 . 200 . 10 . 01 . 1 . 600

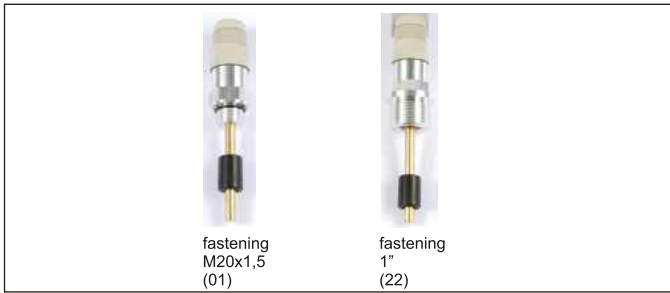
Type mini float switch M60	Optional
Material sliding tube brass tube ø8 --1 stainless steel tube ø8 --2	Temperature switch: Technical details see page 16 60°C n.c. contact --- 600 65°C n.c. contact --- 650 70°C n.c. contact --- 700 75°C n.c. contact --- 750 85°C n.c. contact --- 850
Switching function point A 24V/150mA closes on level rise -- A1 opens on level rise -- A2 closes on level drop -- A3 opens on level drop -- A4	Temperature sensor Pt100 Technical details see page 16 Pt100 2 wire --- Pt100 Pt100 3 wire --- Pt103 Pt100 4 wire --- Pt104
Switching function point B 230VAC/1A (1 switching point) 24VDC/150mA (2 switching points) function: closes on level rise -- B1 opens on level rise -- B2 closes on level drop -- B3 opens on level drop -- B4	Temperature sensor Pt1000 Technical details see page 16 Pt1000 2 wire --- Pt1000
Switching point SPA in mm according to customer's indication	Float ø17,5x25mm material NBR -- 1
Switching point SPB in mm according to customer's indication	Fastening material aluminium/PA6
Connection -- 10 terminal housing aluminium	screwed connection 1/2" ----- 02 oval flange Lk55 ----- 23 screwed connection 3/4" ----- 13 round flange ø74 Lk60 ----- 46 screwed connection M20x1,5 -- 01 screwed connection 1" ----- 22 screwed connection M24x1,5 -- 33 screwed connection M22x1,5 -- 24

Comment:
 For a device with only one
 switching point please use
 switching point B.
 Example: M60.1.B4.100.01.01.1



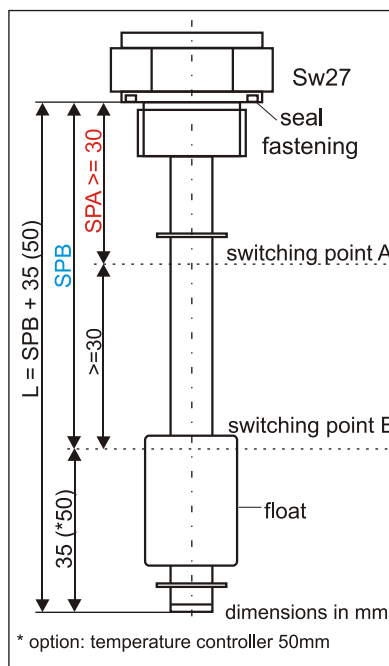
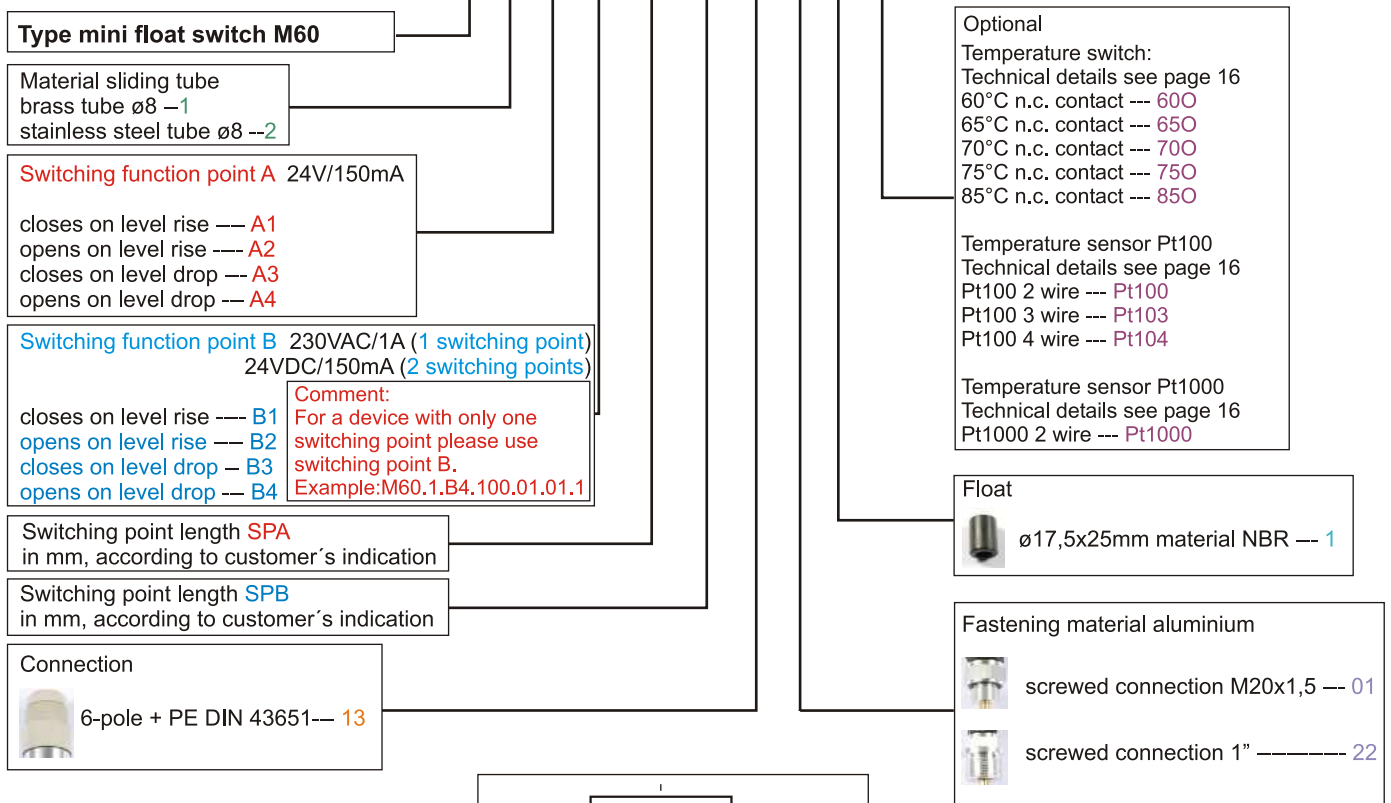
Product information

Mini float switch M60 with plug-type connector 6-pole DIN



Order key

M60. 1 . A1 . B4 . 100 . 200 . 13 . 01 . 1 . 600



Product information

Mini float switch M60 out of stainless steel with M12 and 3-pole DIN plug-type connectors



Order key

M60. 2 . A1 . B4 . 100 . 200 . 02 . 10 . 1 . 600

Type mini float switch M60

Material sliding tube
 stainless steel tube $\varnothing 8$ -- 2

Switching function point A 24V/150mA

closes on level rise -- A1
 opens on level rise -- A2
 closes on level drop - A3
 opens on level drop - A4

Switching function point B 230VAC/1A (1 switching point)
 24VDC/150mA (2 switching points)






closes on level rise -- B1
 opens on level rise -- B2
 closes on level drop - B3
 opens on level drop - B4

Comment:
 For a device with only one
 switching point please use
 switching point B
 Example: M60.1.B4.100.01.01.1

Switching point length SPA
 in mm, according to customer's indication

Switching point length SPB
 in mm, according to customer's indication

Connection

-  M12 4 -pole -- 02
-  M12 5 -pole -- 08
-  M12 6 -pole -- 17
-  M12 8 -pole -- 12
-  3-pole + PE DIN EN 175301-803 -- 01

Optional

Temperature switch:
 Technical details: see page 16

60°C n.c. contact --- 600

65°C n.c. contact --- 650

70°C n.c. contact --- 700

75°C n.c. contact --- 750

85°C n.c. contact --- 850

Temperature sensor Pt100

Technical details see page 16

Pt100 2 wire --- Pt100

Pt100 3 wire --- Pt103

Pt100 4 wire --- Pt104


Temperature sensor Pt1000

Technical details see page 16

Pt1000 2 wire --- Pt1000


Comment: Sensors only possible in conjunction with M12 plug-type connector.

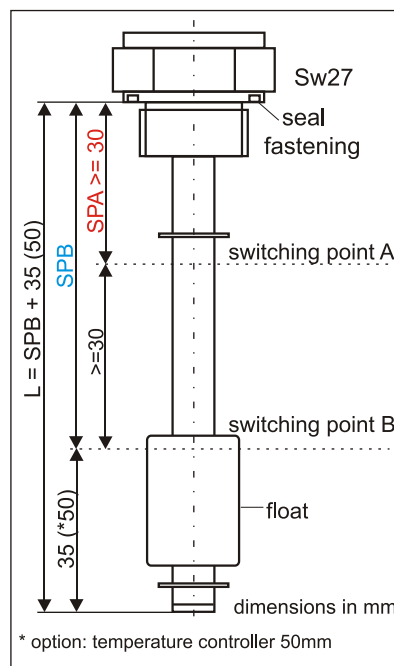
Float

 $\varnothing 27 \times 31$ mm material stainless steel -- 2

Fastening material stainless steel

 screwed connection 1" ----- 10
 in connection with M12 SW27

 screwed connection 1" ----- 10
 in connection with DIN 3 -pole Sw40

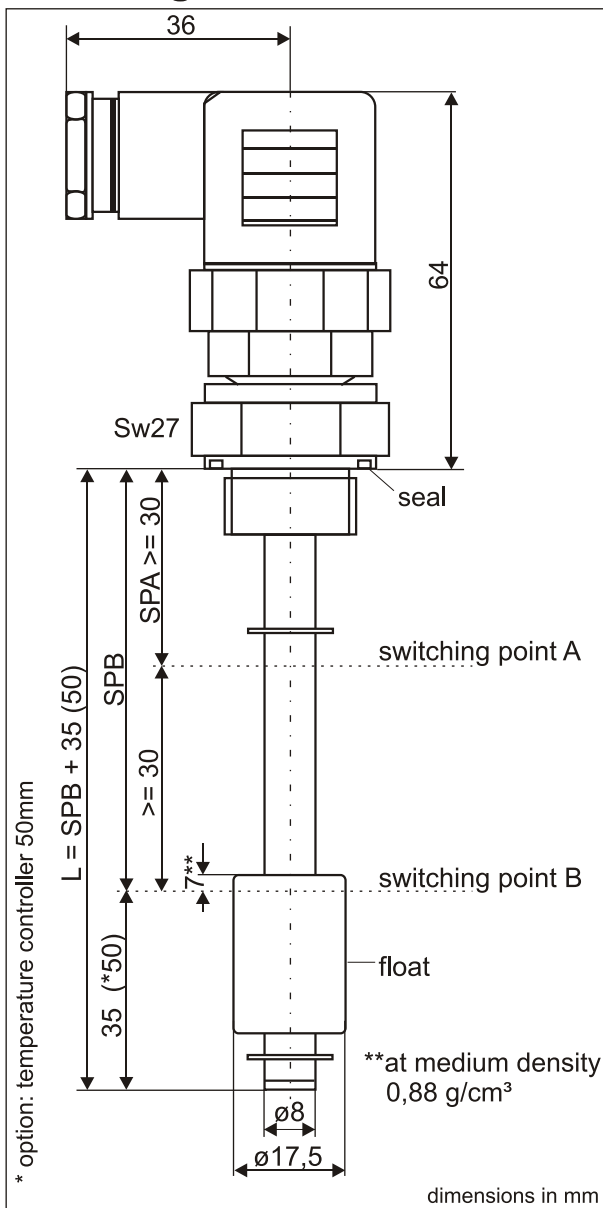


Data sheet / Product information

Mini float switch M60...01.02.1

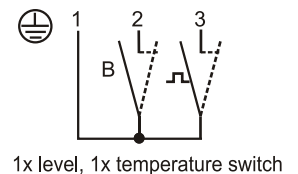
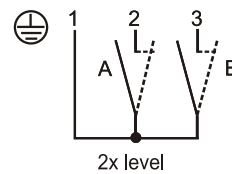
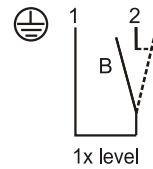
plug-type connector 3-pole DIN EN 175301-803

fastening 1/2"



Terminal plan .3-pole + PE DIN EN 175301-803

(further connection alternatives upon request)



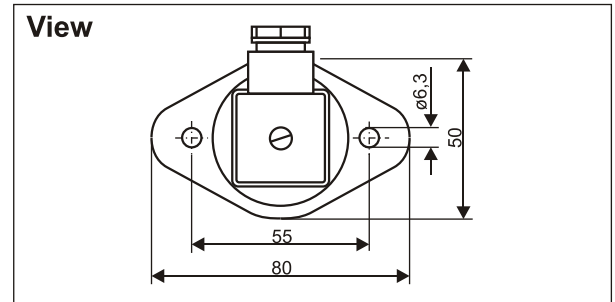
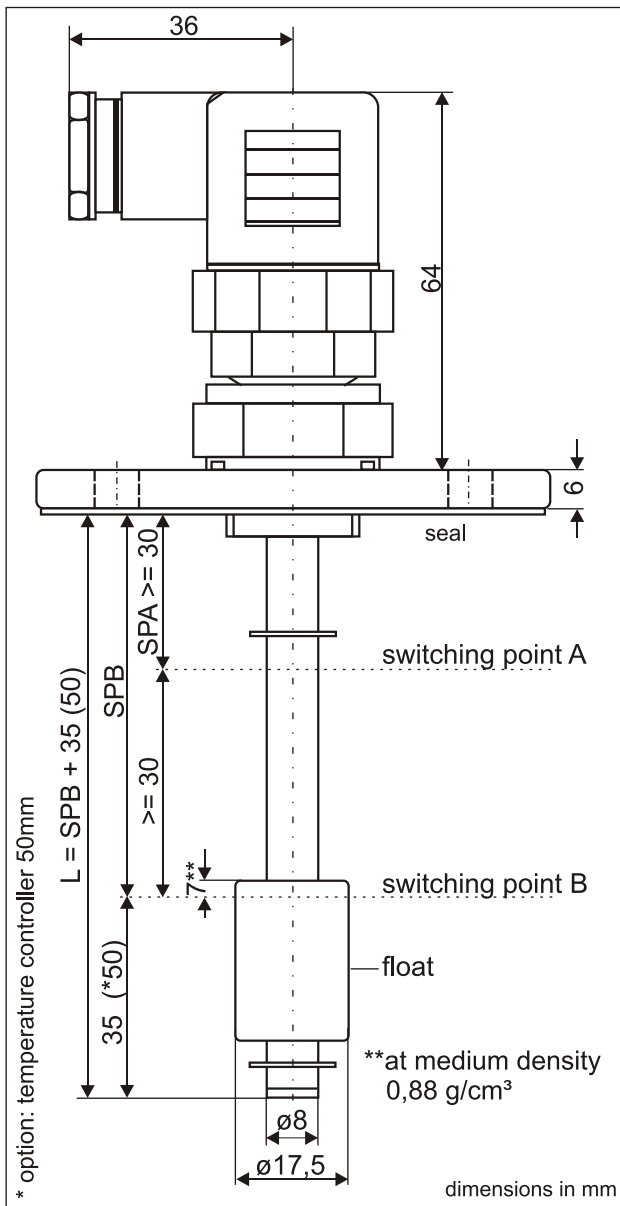
Comment: Contacts possible either as n.o. contact or n.c. contact.

[Back to product group](#)

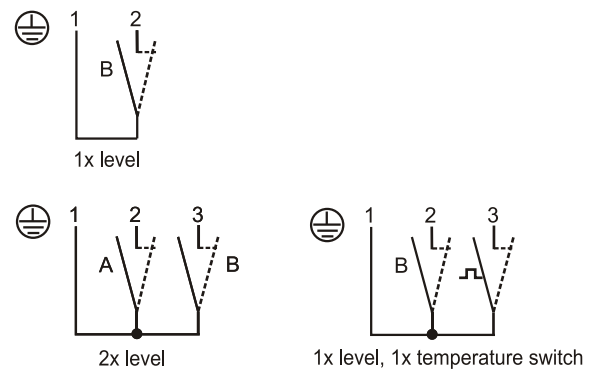
Technical data:

Connection:	material PA 3-pole + PE plug-type connector DIN EN 175301-803
Fastening:	material aluminium 1/2" screwed connection
Mounting position:	vertical $\pm 10^\circ$
Seal:	profile seal NBR
Sliding tube:	material brass or stainless steel $\varnothing 8$, material and length according to customer's indication
Float:	material NBR $\varnothing 17,5 \times 25$ mm
Reed contact:	max. 2x reed contacts n.o. contact or n.c. contact, function bistable
Switching voltage:	230VAC with one switching point; with two switching points 24VDC
Switching current:	1A with one switching point; with two switching points 150mA
Temperature switch:	optional, performance data see page 16
Temperature sensor:	optional, performance data see page 16
Pressure:	max. 1 bar
Application temperature:	-15..90°C in medium, -15°C..70°C above fastening
Protection rating:	IP 65

Data sheet / Product information
Mini float switch M60...01.23.1
plug-type connector 3-pole DIN EN 175301-803
fastening oval flange



Terminal plan 3-pole + PE DIN EN 175301-803
 (further connection alternatives upon request)



Comment: Contacts possible either as n.o. contact or n.c. contact.

[Back to product group](#)

Technical data:

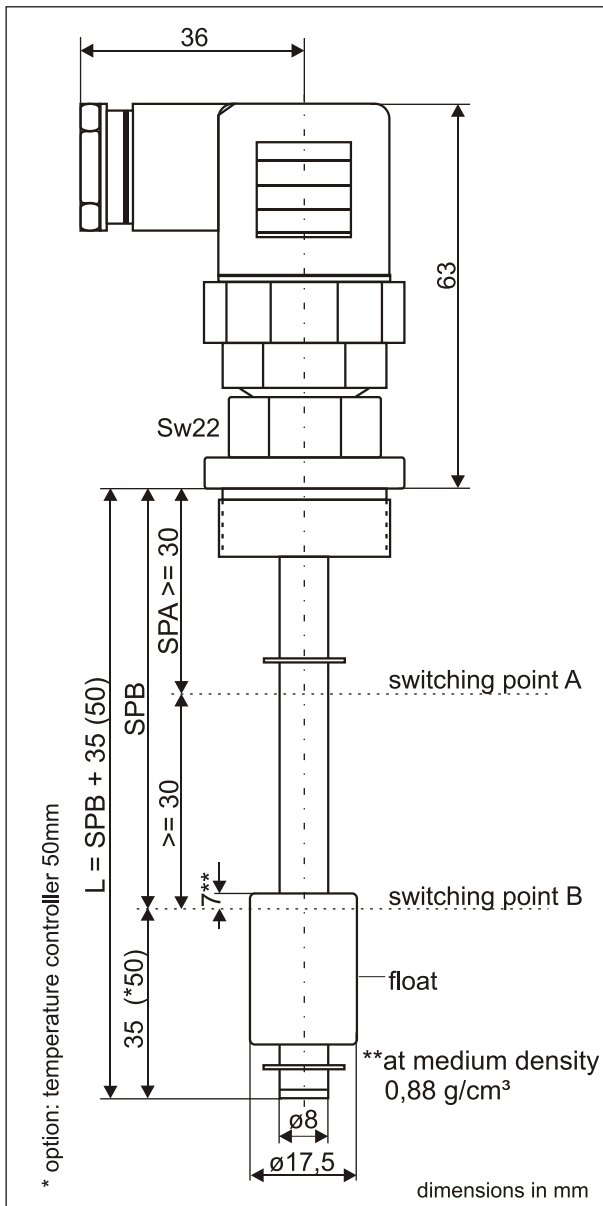
Connection:	material PA 3-pole + PE plug-type connector DIN EN 175301-803
Fastening:	material Macrolon oval flange LK 55
Mounting position:	vertical $\pm 10^\circ$
Seal:	material NBR flat seal
Sliding tube:	material brass or stainless steel $\phi 8$, material and length according to customer's indication
Float:	material NBR $\phi 17,5 \times 25 \text{ mm}$
Reed contact:	max. 2x reed contacts n.o. contact or n.c. contact, function bistable
Switching voltage:	230VAC with one switching point; with two switching points 24VDC
Switching current:	1A with one switching point; with two switching points 150mA
Temperature switch:	optional, performance data see page 16
Temperature sensor:	optional, performance data see page 16
Pressure:	max. 1 bar
Application temperature:	-15..90°C in medium, -15°C..70°C above fastening
Protection rating:	IP 65

Data sheet / Product information

Mini float switch M60...01.13.1

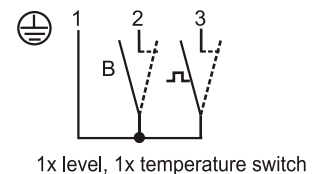
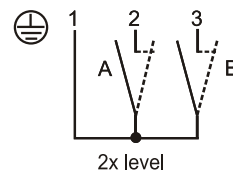
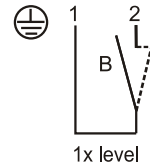
plug-type connector 3-pole DIN EN 175301-803

fastening 3/4"



Terminal plan 3-pole + PE DIN EN 175301-803

(further connection alternatives upon request)



Comment: Contacts possible either as n.o. contact or n.c. contact.

[Back to product group](#)

Technical data:

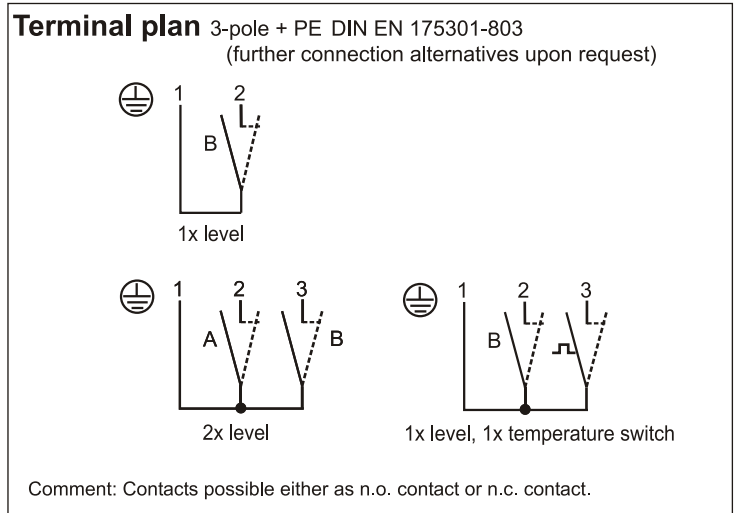
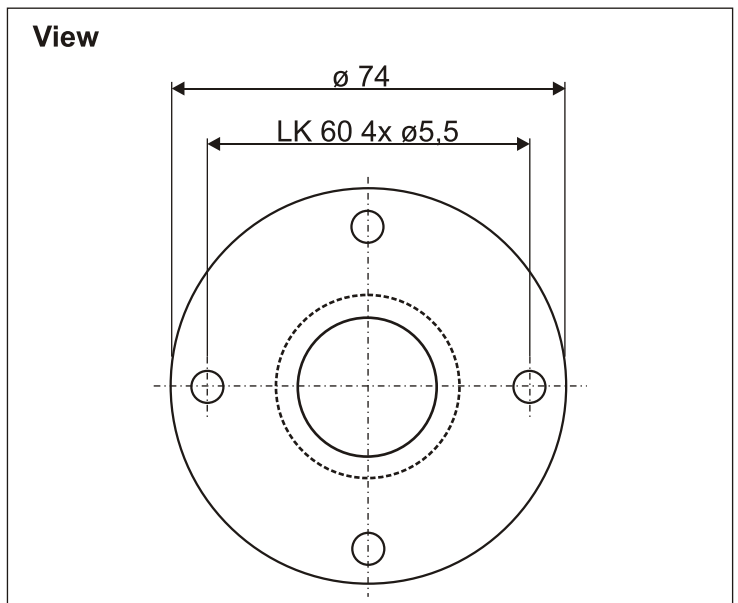
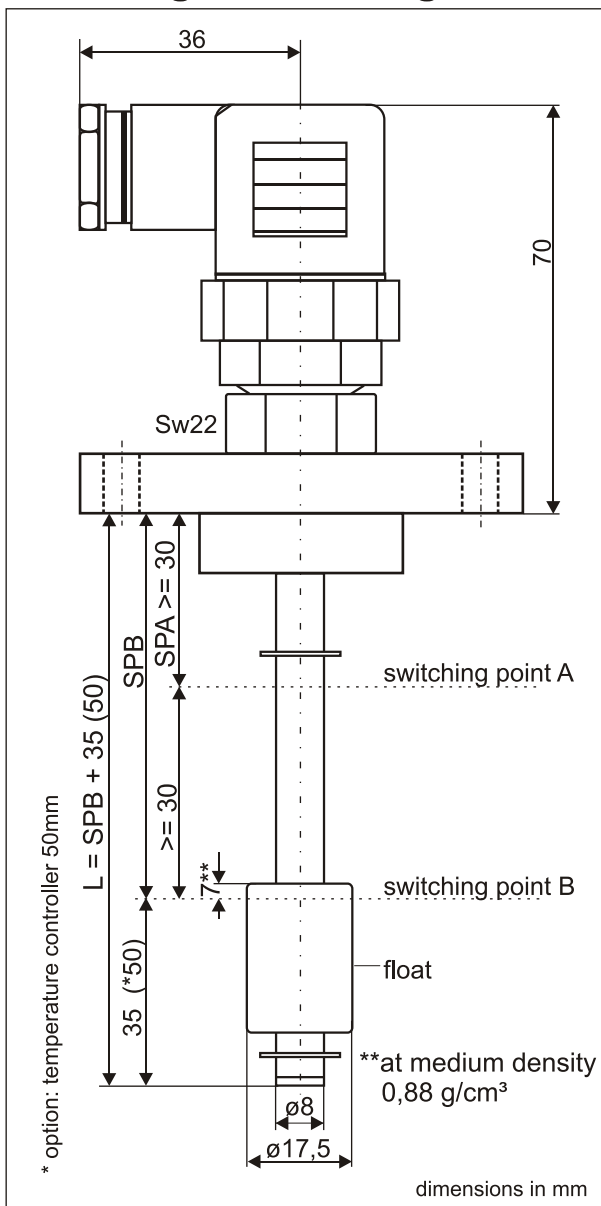
Connection:	material PA 3-pole + PE plug-type connector DIN EN 175301-803
Fastening:	material aluminium 3/4" screwed connection
Mounting position:	vertical $\pm 10^\circ$
Seal:	profile seal NBR
Sliding tube:	material brass or stainless steel $\varnothing 8$, material and length according to customer's indication
Float:	material NBR $\varnothing 17,5 \times 25$ mm
Reed contact:	max. 2x reed contacts n.o. contact or n.c. contact, function bistable
Switching voltage:	230VAC with one switching point; with two switching points 24VDC
Switching current:	1A with one switching point; with two switching points 150mA
Temperature switch:	optional, performance data see page 16
Temperature sensor:	optional, performance data see page 16
Pressure:	max. 1 bar
Application temperature:	-15..90°C in medium, -15°C..70°C above fastening
Protection rating:	IP 65

Data sheet / Product information

Mini float switch M60...01.46.1

plug-type connector 3-pole DIN EN 175301-803

fastening round flange



[Back to product group](#)

Technical data:

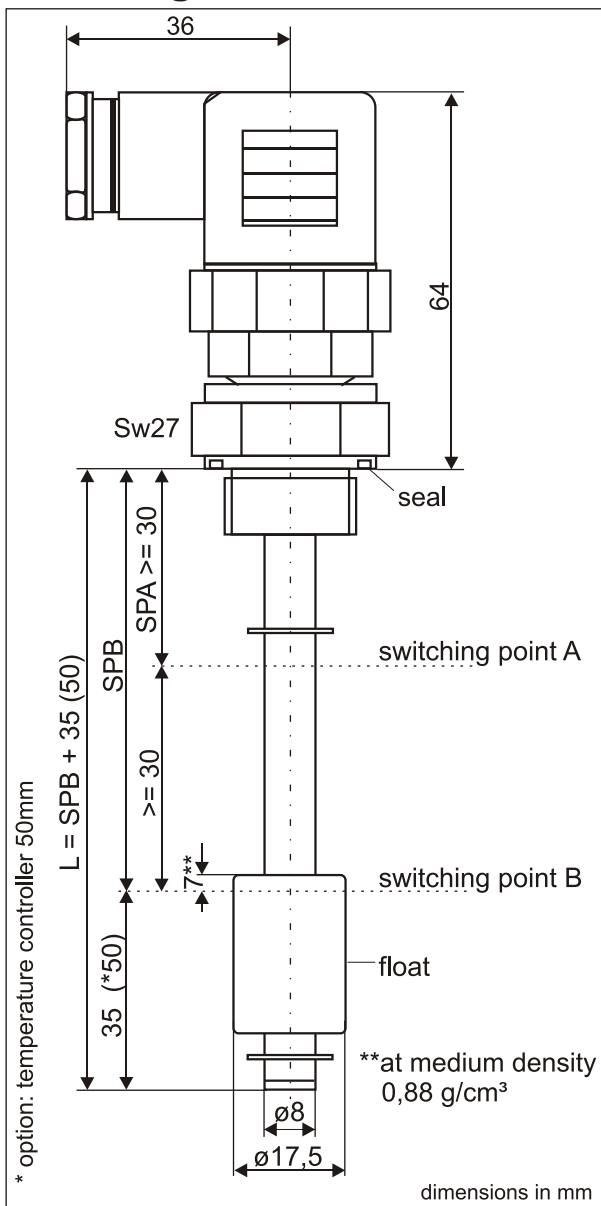
Connection:	material PA 3-pole + PE plug-type connector DIN EN 175301-803
Fastening:	material aluminium flange $\varnothing 70$, LK60
Mounting position:	vertical $\pm 10^\circ$
Sliding tube:	material brass or stainless steel $\varnothing 8$, material and length according to customer's indication
Float:	material NBR $\varnothing 17,5 \times 25$ mm
Reed contact:	max. 2x reed contacts n.o. contact or n.c. contact, function bistable
Switching voltage:	230VAC with one switching point; with two switching points 24VDC
Switching current:	1A with one switching point; with two switching points 150mA
Temperature switch:	optional, performance data see page 16
Temperature sensor:	optional, performance data see page 16
Pressure:	max. 1 bar
Application temperature:	-15..90°C in medium, -15°C..70°C above fastening
Protection rating:	IP 65

Data sheet / Product information

Mini float switch M60...01.01.1

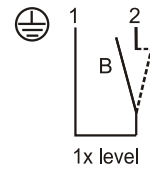
plug-type connector 3-pole DIN EN 175301-803

fastening M20x1,5

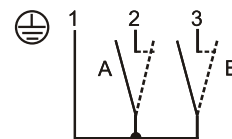


Terminal plan 3-pole + PE DIN EN 175301-803

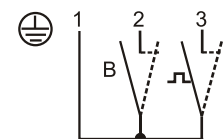
(further connection alternatives upon request)



1x level



2x level



1x level, 1x temperature switch

Comment: Contacts possible either as n.o. contact or n.c. contact.

[Back to product group](#)

Technical data:

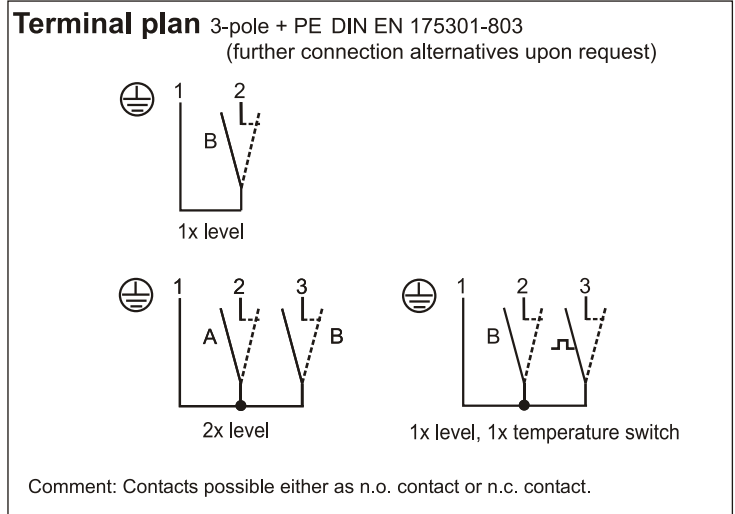
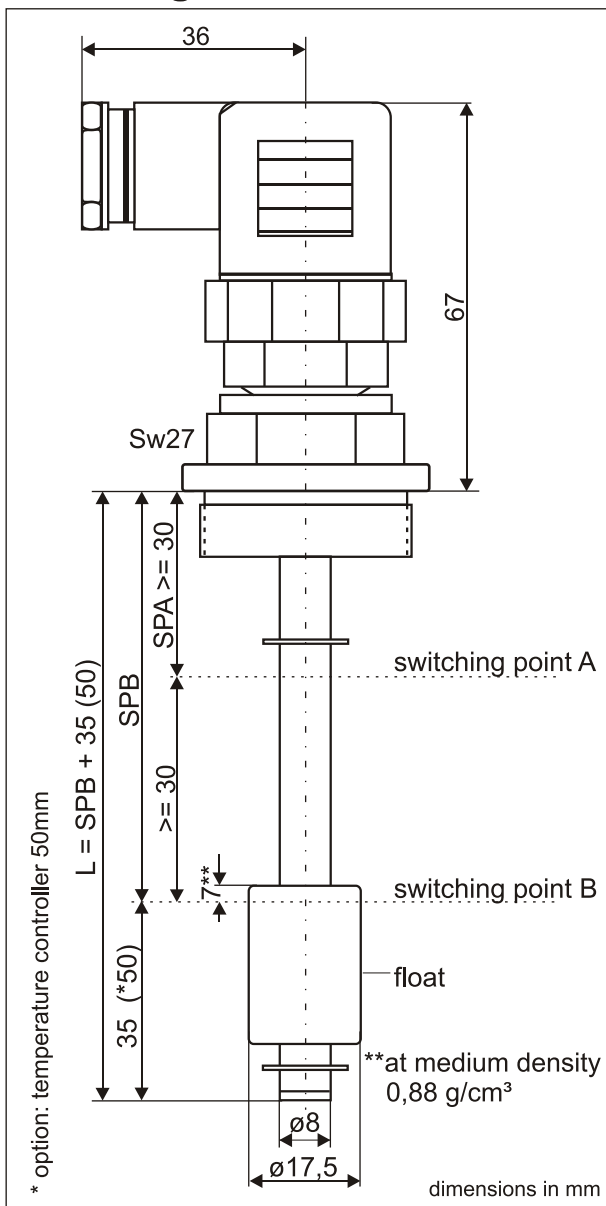
Connection:	material PA 3-pole + PE plug-type connector DIN EN 175301-803
Fastening:	material aluminium, screwed connection M20x1,5
Mounting position:	vertical $\pm 10^\circ$
Seal:	profile seal NBR
Sliding tube:	material brass or stainless steel $\varnothing 8$, material and length according to customer's indication
Float:	material NBR $\varnothing 17,5 \times 25$ mm
Reed contact:	max. 2x reed contacts n.o. contact or n.c. contact, function bistable
Switching voltage:	230VAC with one switching point; with two switching points 24VDC
Switching current:	1A with one switching point; with two switching points 150mA
Temperature switch:	optional, performance data see page 16
Temperature sensor:	optional, performance data see page 16
Pressure:	max. 1 bar
Application temperature:	-15..90°C in medium, -15°C..70°C above fastening
Protection rating:	IP 65

Data sheet / Product information

Mini float switch M60...01.22.1

plug-type connector 3-pole DIN EN 175301-803

fastening 1"



[Back to product group](#)

Technical data:

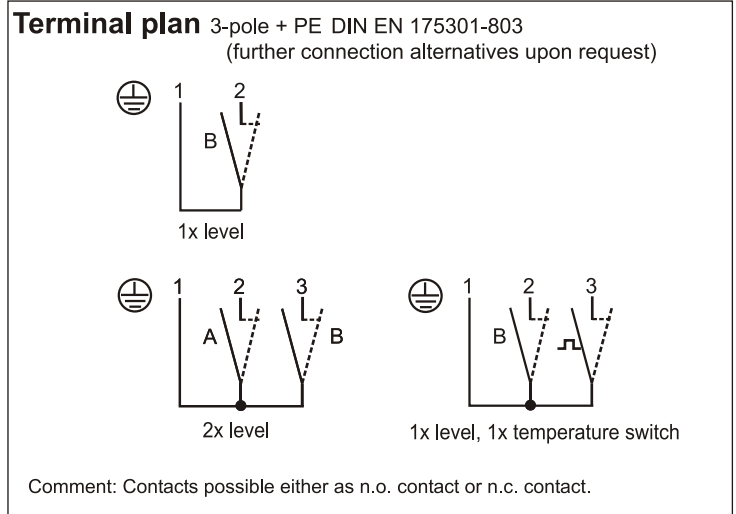
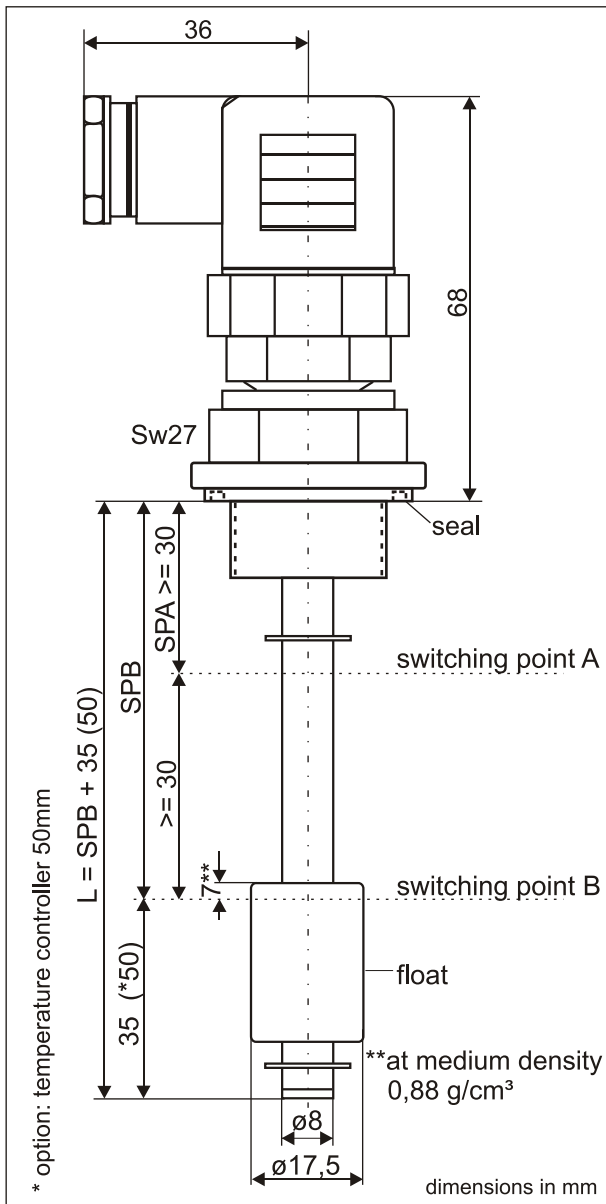
Connection:	material PA 3-pole + PE plug-type connector DIN EN 175301-803
Fastening:	material aluminium 1" screwed connection
Mounting position:	vertical $\pm 10^\circ$
Sliding tube:	material brass or stainless steel $\varnothing 8$, material and length according to customer's indication
Float:	material NBR $\varnothing 17,5 \times 25$ mm
Reed contact:	max. 2x reed contacts n.o. contact or n.c. contact, function bistable
Switching voltage:	230VAC with one switching point; with two switching points 24VDC
Switching current:	1A with one switching point; with two switching points 150mA
Temperature switch:	optional, performance data see page 16
Temperature sensor:	optional, performance data see page 16
Pressure:	max. 1 bar
Application temperature:	-15..90°C in medium, -15°C..70°C above fastening
Protection rating:	IP 65

Data sheet / Product information

Mini float switch M60...01.33.1

plug-type connector 3-pole DIN EN 175301-803

fastening M24x1,5



[Back to product group](#)

Technical data:

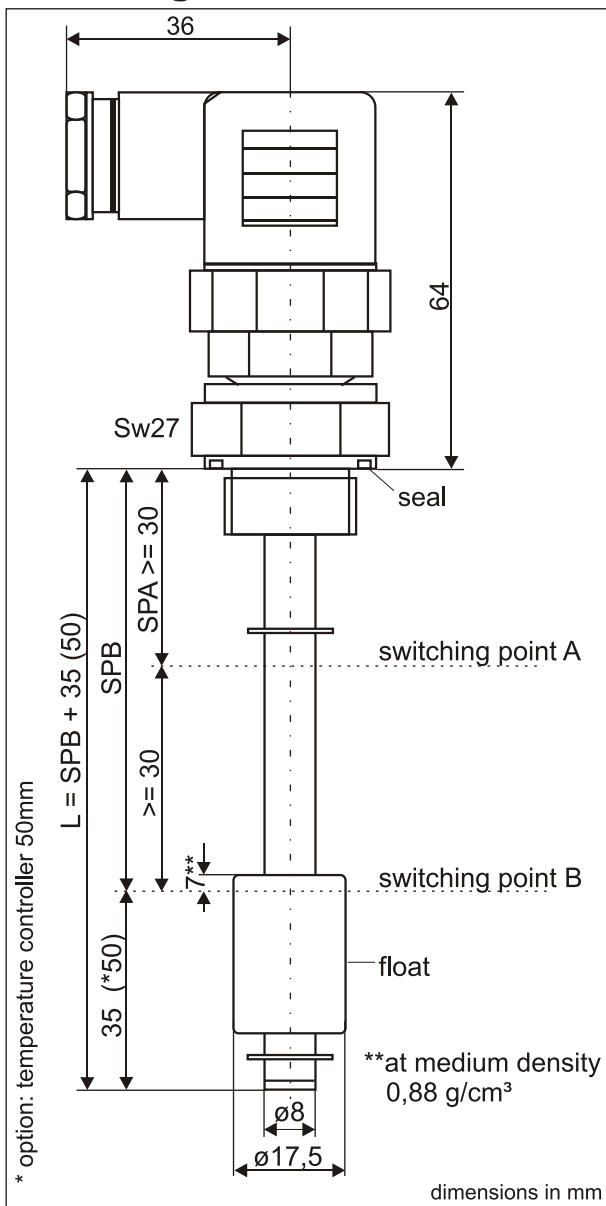
Connection:	material PA 3-pole + PE plug-type connector DIN EN 175301-803
Fastening:	material aluminium M24x1,5 screwed connection
Mounting position:	vertical $\pm 10^\circ$
Seal:	material NBR O-Ring $\varnothing 26 \times 2$
Sliding tube:	material brass or stainless steel $\varnothing 8$, material and length according to customer's indication
Float:	material NBR $\varnothing 17,5 \times 25$ mm
Reed contact:	max. 2x reed contacts n.o. contact or n.c. contact, function bistable
Switching voltage:	230VAC with one switching point; with two switching points 24VDC
Switching current:	1A with one switching point; with two switching points 150mA
Temperature switch:	optional, performance data see page 16
Temperature sensor:	optional, performance data see page 16
Pressure:	max. 1 bar
Application temperature:	-15..90°C in medium, -15°C..70°C above fastening
Protection rating:	IP 65

Data sheet / Product information

Mini float switch M60...01.24.1

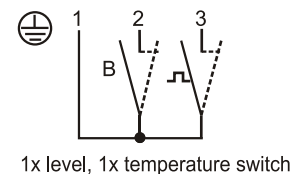
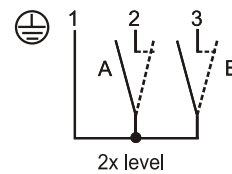
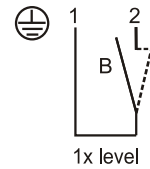
plug-type connector 3-pole DIN EN 175301-803

fastening M22x1,5



Terminal plan 3-pole + PE DIN EN 175301-803

(further connection alternatives upon request)



Comment: Contacts possible either as n.o. contact or n.c. contact.

[Back to product group](#)

Technical data:

Connection:	material PA 3-pole + PE plug-type connector DIN EN 175301-803
Fastening:	material aluminium M22x1,5 screwed connection
Mounting position:	vertical $\pm 10^\circ$
Seal:	material NBR profile seal
Sliding tube:	material brass or stainless steel $\varnothing 8$, material and length according to customer's indication
Float:	material NBR $\varnothing 17,5 \times 25$ mm
Reed contact:	max. 2x reed contacts n.o. contact or n.c. contact, function bistable
Switching voltage:	230VAC with one switching point; with two switching points 24VDC
Switching current:	1A with one switching point; with two switching points 150mA
Temperature switch:	optional, performance data see page 16
Temperature sensor:	optional, performance data see page 16
Pressure:	max. 1 bar
Application temperature:	-15..90°C in medium, -15°C..70°C above fastening
Protection rating:	IP 65

Data sheet / Product information

Temperature switch, Pt100 and Pt1000 optional to mini float switch series M60

Temperature switch:

Temperature switching point ranges:

60°C n.c. contact --- 60O

65°C n.c. contact --- 65O

70°C n.c. contact --- 70O

75°C n.c. contact --- 75O

85°C n.c. contact --- 85O

Technical data:

Technnology: *bimetal*

Accuracy: $\pm 5^{\circ}\text{C}$

Reset temperature: *Temperature switching point - $30^{\circ}\text{C} \pm 15^{\circ}\text{C}$*

Switching voltage: 230VAC

Switching current: 1A

Switching capacity: 60VA

Temperature sensor **PT100**

PT100 2 wire --- PT100

PT100 3 wire --- PT103

PT100 4 wire --- PT104

Technical data:

Nominal resistance: *100 Ohm at 0°C*

Tolerance: *DIN EN 60751, class B*

Temperature coefficient: *$TK = 3850\text{ppm/K}$*

Temperature range: *-20 up to 80°C (device completely out of stainless steel -20 up to 100°C)*

Self-heating: *0,4K/mW*

Temperature sensor **PT1000**

PT1000 2 wire --- Pt1000

PT1000 3 wire --- Pt1003

Technical data:

Nominal resistance: *1000 Ohm at 0°C*

Tolerance: *DIN EN 60751, class B*

Temperature coefficient: *$TK = 3850\text{ppm/K}$*

Temperature range: *-20 up to 80°C (device completely out of stainless steel -20 up to 100°C)*

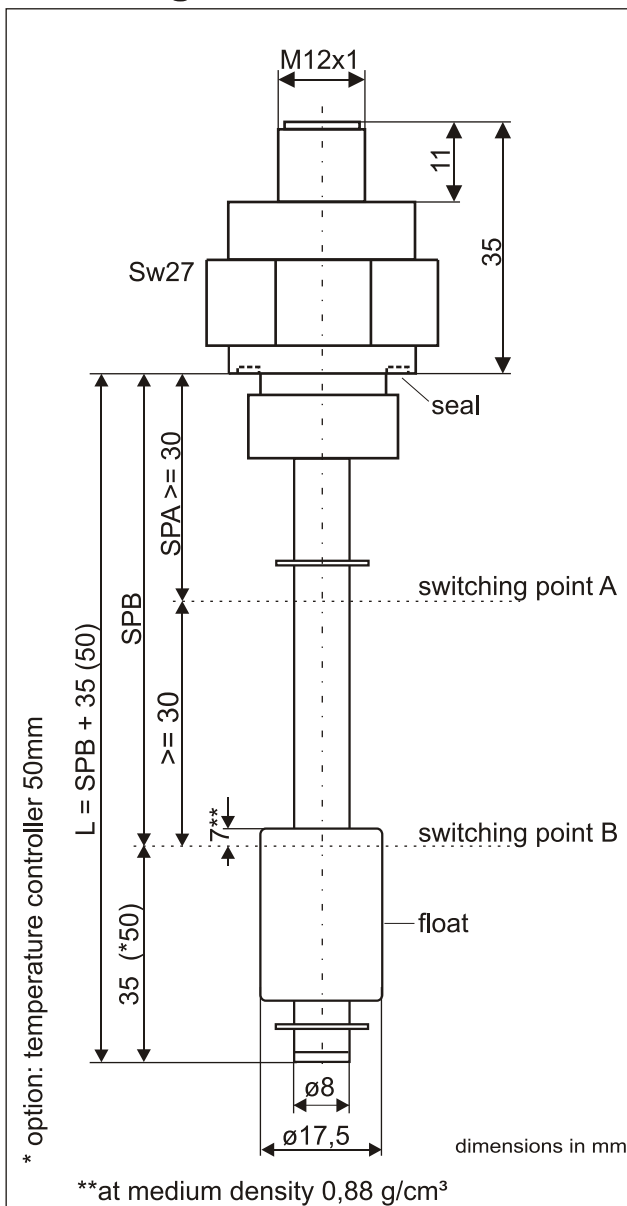
Self-heating: *0,2K/mW*

Data sheet / Product information

Mini float switch M60...02.02.1 / M60...08.02.1

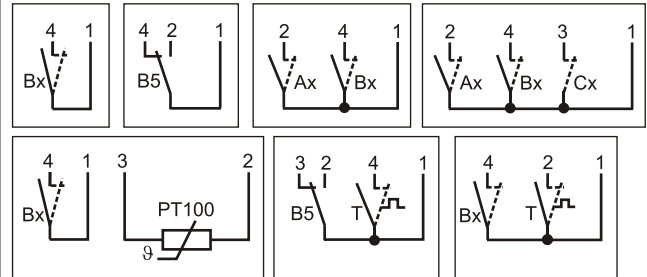
plug-type connector M12 4-pole / 5-pole

fastening 1/2"

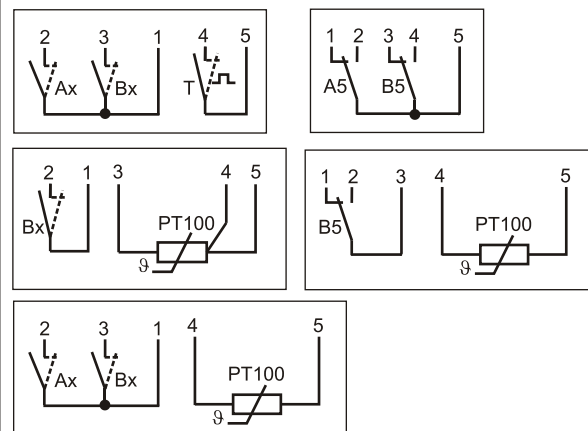


Terminal plan M12 4-pole (02)

Comment: Contacts possible either as n.o. contact or n.c. contact.



M12 5-pole (08)

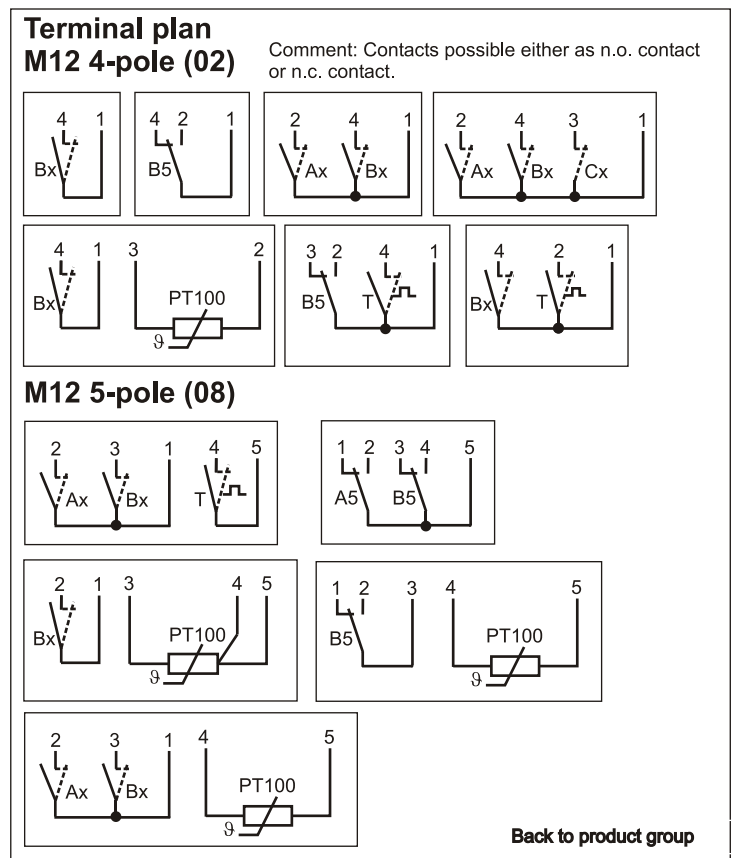
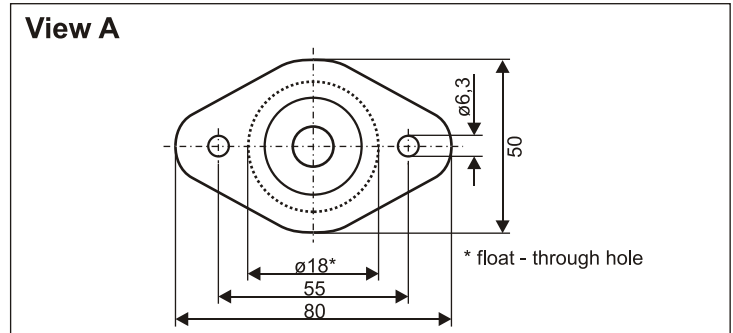
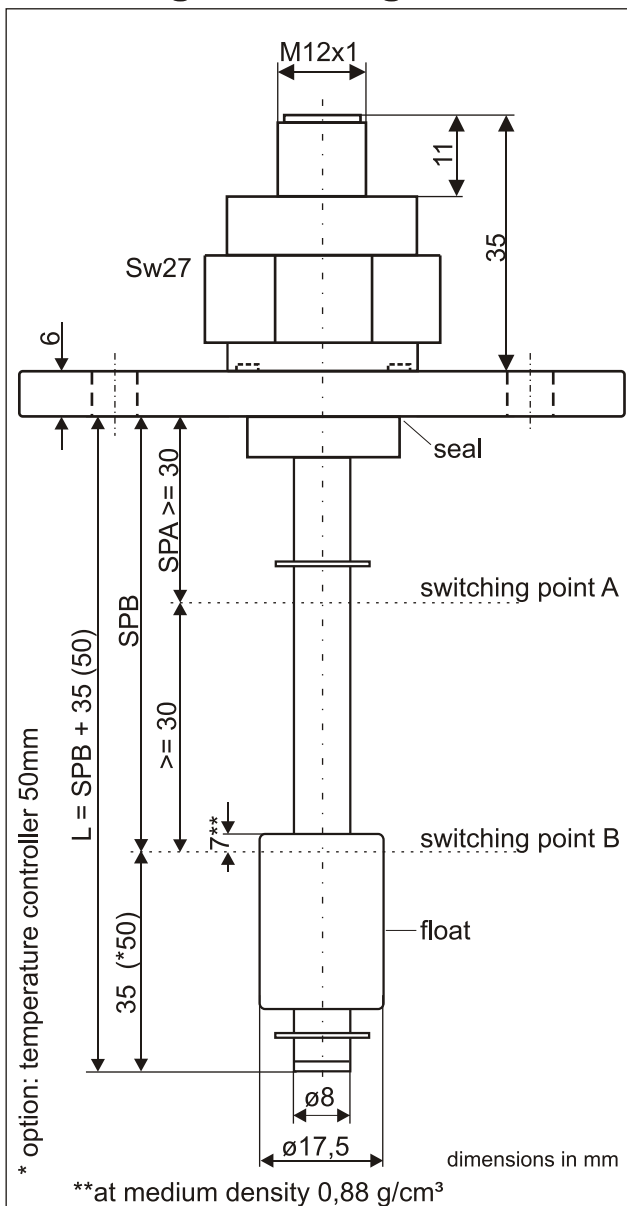


[Back to product group](#)

Technical data:

Connection:	material TPU, 4- and 5-pole M12 plug-type connector
Fastening:	material aluminium G1/2" screwed connection
Mounting position:	vertical ± 10°
Seal:	material NBR profile seal
Sliding tube:	material brass or stainless steel ø8, material and length according to customer's indication
Float:	material NBR ø17,5x25mm
Reed contact:	max. 3x reed contacts n.o. contact or n.c. contact, function bistable
Switching voltage:	24VDC
Switching current:	150mA
Temperature switch:	optional, performance data see page 16
Temperature sensor:	optional, performance data see page 16
Pressure:	max. 1 bar
Application temperature:	-15..90°C in medium, -15°C..70°C above fastening
Protection rating:	IP 65

Data sheet / Product information
Mini float switch M60...02.23.1 / M60...08.23.1
plug-type connector M12 4-pole / 5-pole
fastening oval flange



Technical data:

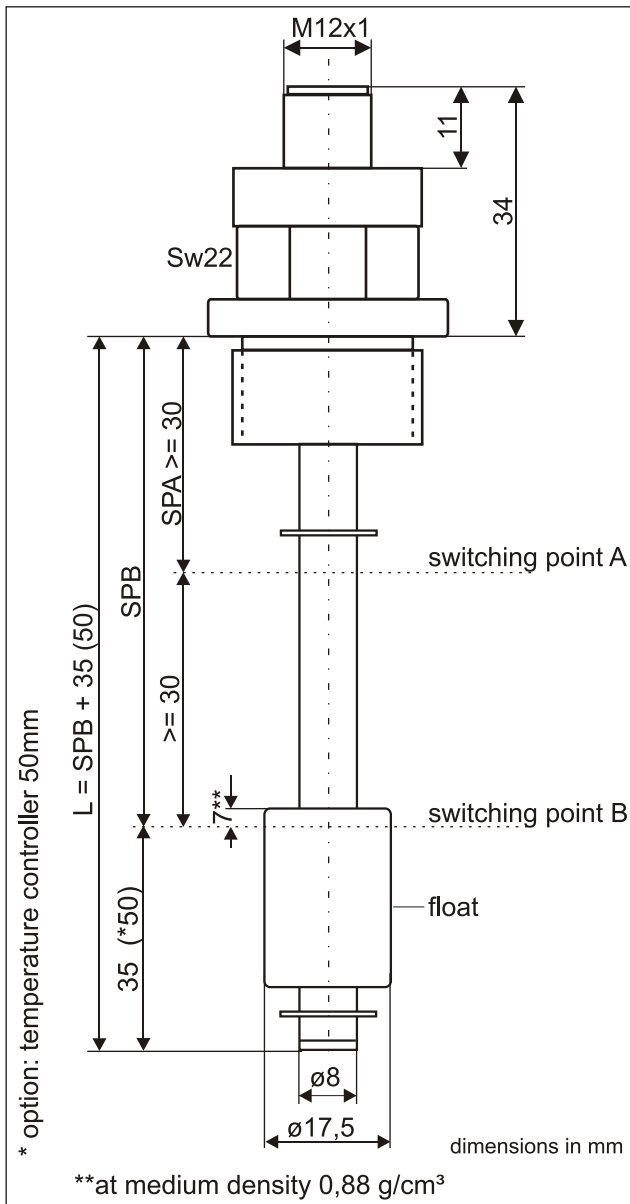
Connection:	material TPU, 4- and 5-pole M12 plug-type connector
Fastening:	material Macrolon oval flange
Mounting position:	vertical $\pm 10^\circ$
Seal:	material NBR flat seal
Sliding tube:	material brass or stainless steel $\varnothing 8$, material and length according to customer's indication
Float:	material NBR $\varnothing 17,5 \times 25$ mm
Reed contact:	max. 3x reed contacts n.o. contact or n.c. contact, function bistable
Switching voltage:	24VDC
Switching current:	150mA
Temperature switch:	optional, performance data see page 16
Temperature sensor:	optional, performance data see page 16
Pressure:	max. 1 bar
Application temperature:	-15..90°C in medium, -15°C..70°C above fastening
Protection rating:	IP 65

Data sheet / Product information

Mini float switch M60...02.13.1 / M60...08.13.1

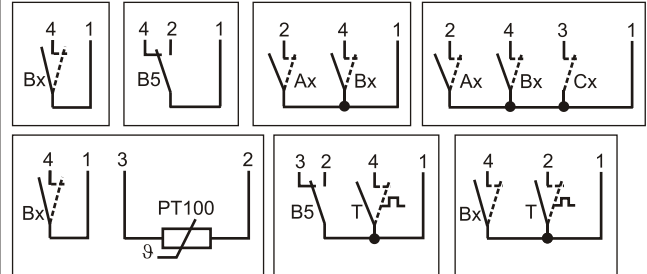
plug-type connector M12 4-pole / 5-pole

fastening 3/4"

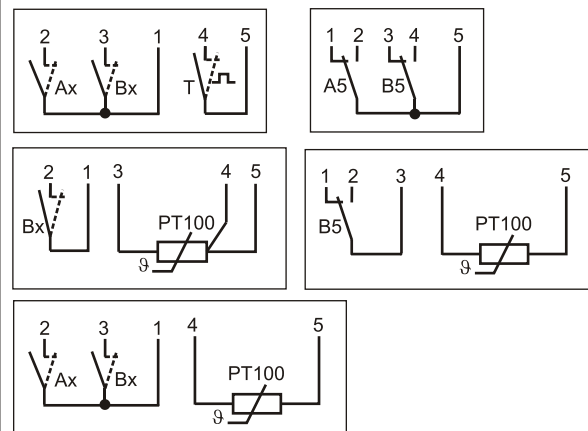


Terminal plan M12 4-pole (02)

Comment: Contacts possible either as n.o. contact or n.c. contact.



M12 5-pole (08)



[Back to product group](#)

Technical data:

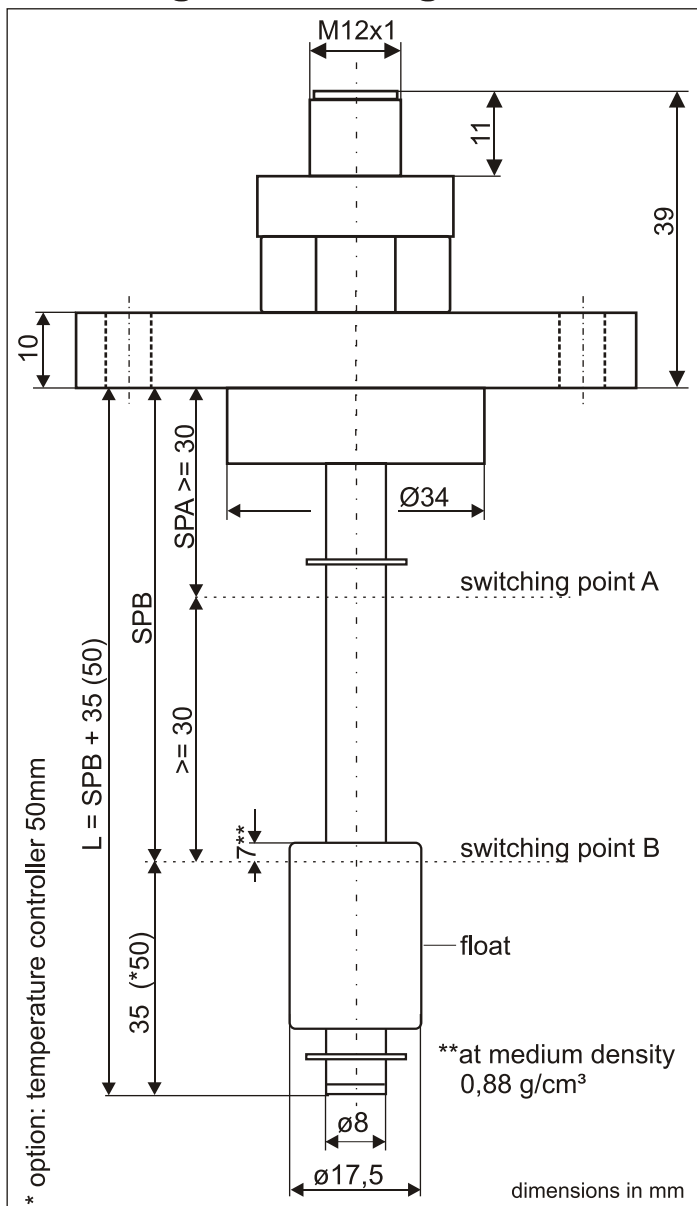
Connection:	material TPU, 4- and 5-pole M12 plug-type connector
Fastening:	material aluminium G3/4" screwed connection
Mounting position:	vertical $\pm 10^\circ$
Sliding tube:	material brass or stainless steel $\varnothing 8$, material and length according to customer's indication
Float:	material NBR $\varnothing 17,5 \times 25$ mm
Reed contact:	max. 3x reed contacts n.o. contact or n.c. contact, function bistable
Switching voltage:	24VDC
Switching current:	150mA
Temperature switch:	optional, performance data see page 16
Temperature sensor:	optional, performance data see page 16
Pressure:	max. 1 bar
Application temperature:	-15...90°C in medium, -15°C...70°C above fastening
Protection rating:	IP 65

Data sheet / Product information

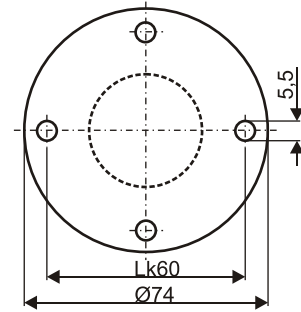
Mini float switch M60...02.46.1 / M60...08.46.1

plug-type connector M12 4-pole / 5-pole

fastening round flange

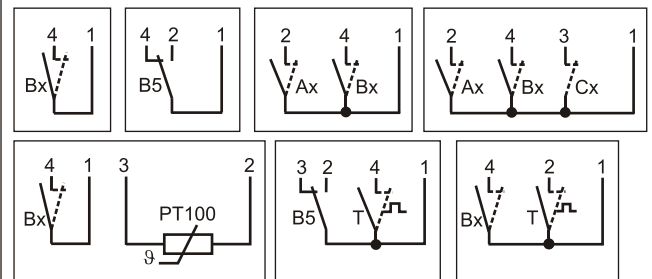


View A

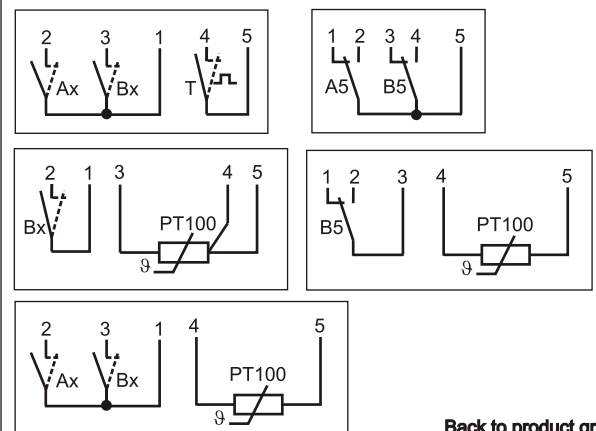


Terminal plan
M12 4-pole (02)

Comment: Contacts possible either as n.o. contact or n.c. contact.



M12 5-pole (08)



Back to product group

Technical data:

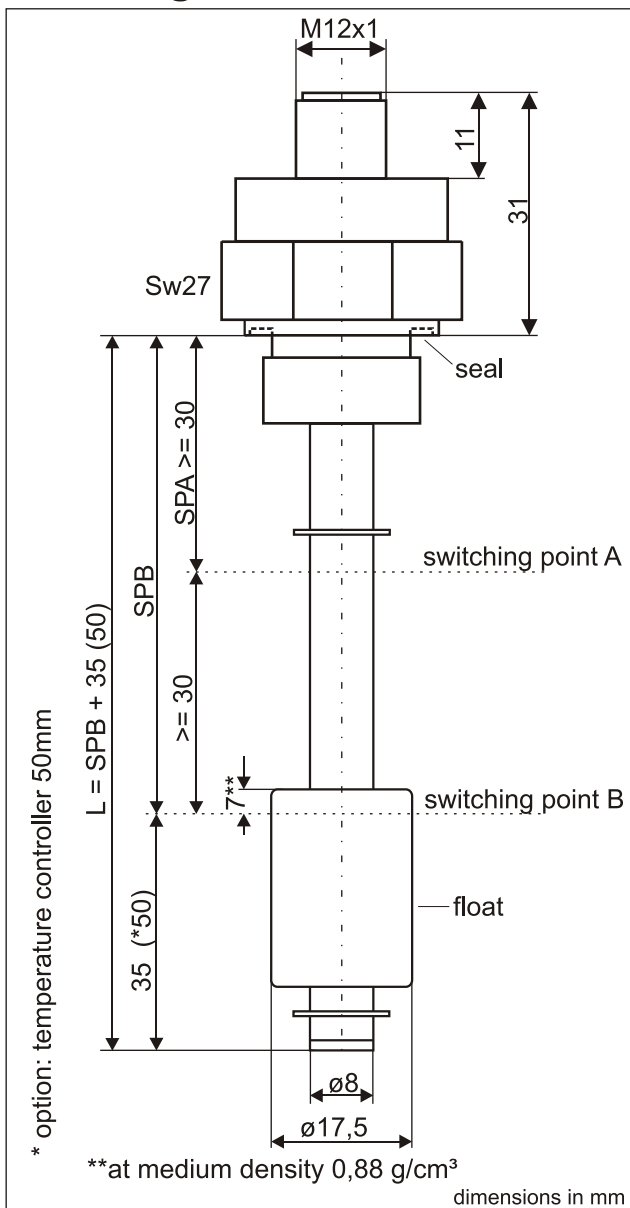
Connection:	material TPU, 4- and 5-pole M12 plug-type connector
Fastening:	material aluminium flange AD 74
Mounting position:	vertical $\pm 10^\circ$
Sliding tube:	material brass or stainless steel $\varnothing 8$, material and length according to customer's indication
Float:	material NBR $\varnothing 17,5 \times 25$ mm
Reed contact:	max. 3x reed contacts n.o. contact or n.c. contact, function bistable
Switching voltage:	24VDC
Switching current:	150mA
Temperature switch:	optional, performance data see page 16
Temperature sensor:	optional, performance data see page 16
Pressure:	max. 1 bar
Application temperature:	-15..90°C in medium, -15°C..70°C above fastening
Protection rating:	IP 65

Data sheet / Product information

Mini float switch M60...02.01.1 / M60...08.01.1

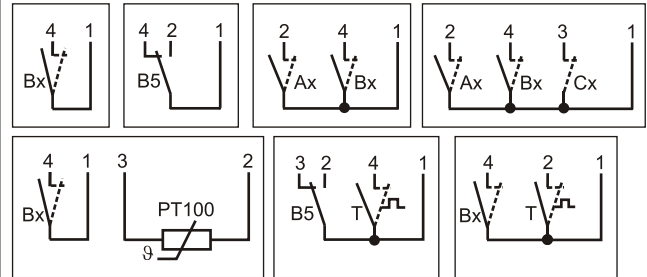
plug-type connector M12 4-pole / 5-pole

fastening M20x1,5

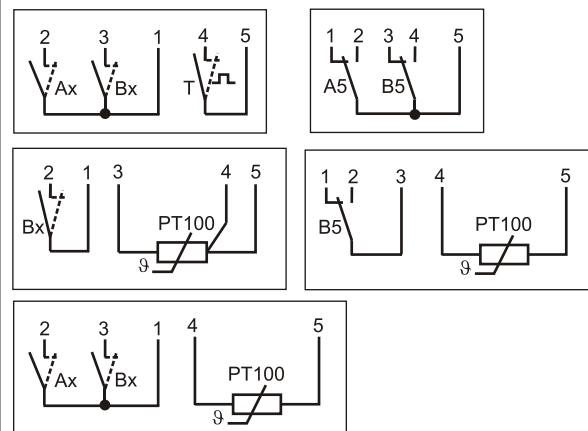


Terminal plan

M12 4-pole (02) Comment: Contacts possible either as n.o. contact or n.c. contact.



M12 5-pole (08)



[Back to product group](#)

Technical data:

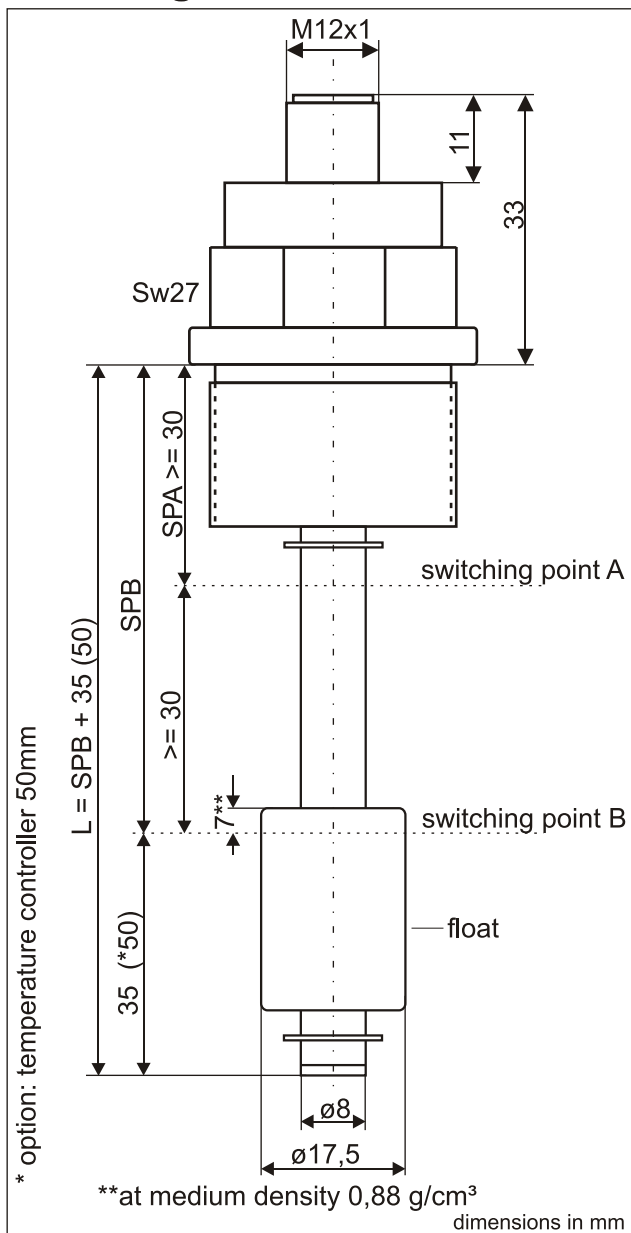
Connection:	material TPU, 4- and 5-pole M12 plug-type connector
Fastening:	material aluminium M20x1,5 screwed connection
Mounting position:	vertical $\pm 10^\circ$
Seal:	material NBR profile seal
Sliding tube:	material brass or stainless steel $\varnothing 8$, material and length according to customer's indication
Float:	material NBR $\varnothing 17,5 \times 25$ mm
Reed contact:	max. 3x reed contacts n.o. contact or n.c. contact, function bistable
Switching voltage:	24VDC
Switching current:	150mA
Temperature switch:	optional, performance data see page 16
Temperature sensor:	optional, performance data see page 16
Pressure:	max. 1 bar
Application temperature:	-15..90°C in medium, -15°C..70°C above fastening
Protection rating:	IP 65

Data sheet / Product information

Mini float switch M60...02.22.1 / M60...08.22.1

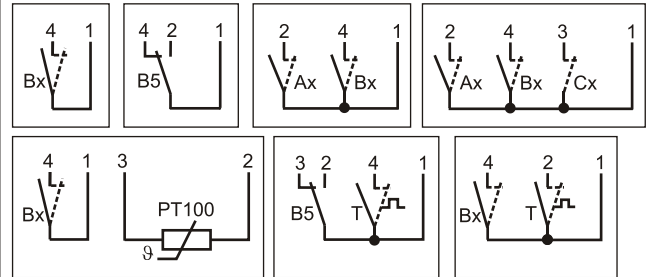
plug-type connector M12 4-pole / 5-pole

fastening 1"

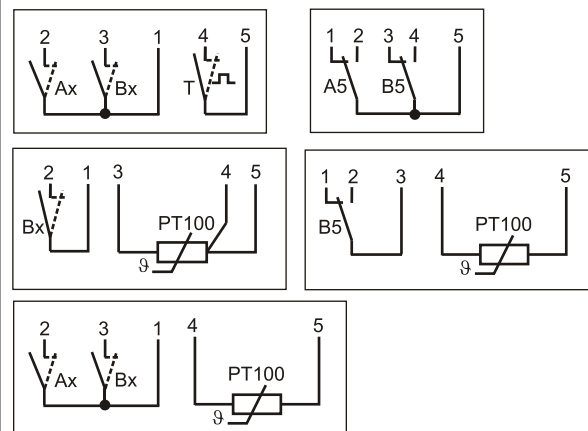


Terminal plan M12 4-pole (02)

Comment: Contacts possible either as n.o. contact or n.c. contact.



M12 5-pole (08)



[Back to product group](#)

Technical data:

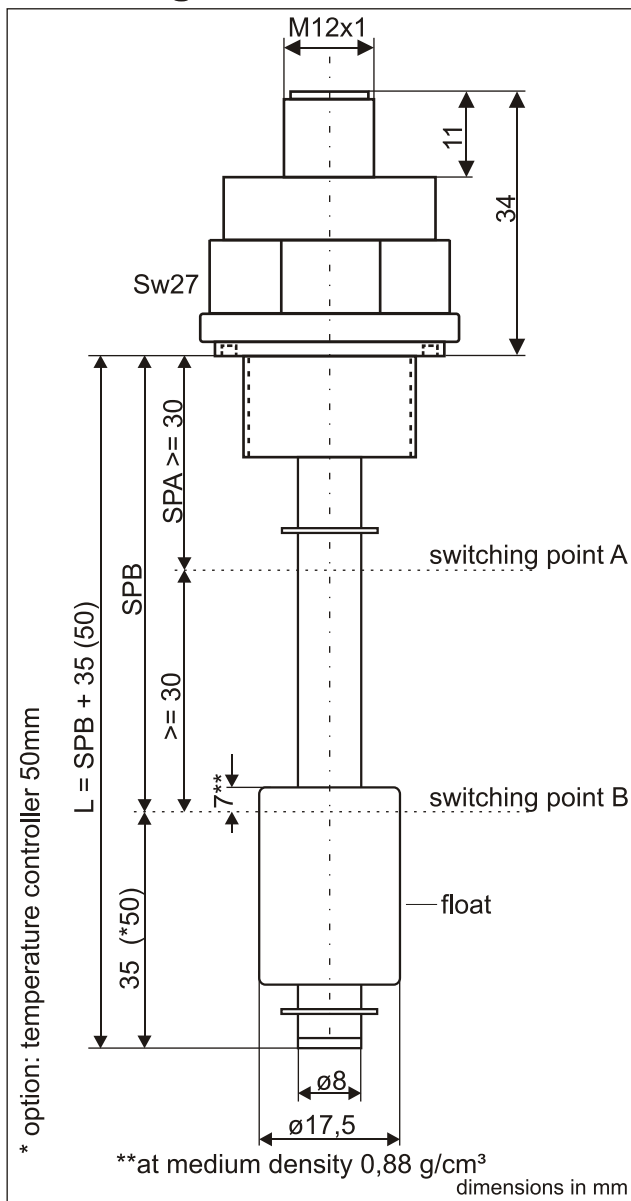
Connection:	material TPU, 4- and 5-pole M12 plug-type connector
Fastening:	material aluminium 1" screwed connection
Mounting position:	vertical $\pm 10^\circ$
Sliding tube:	material brass or stainless steel $\varnothing 8$, material and length according to customer's indication
Float:	material NBR $\varnothing 17,5 \times 25 \text{ mm}$
Reed contact:	max. 3x reed contacts n.o. contact or n.c. contact, function bistable
Switching voltage:	24VDC
Switching current:	150mA
Temperature switch:	optional, performance data see page 16
Temperature sensor:	optional, performance data see page 16
Pressure:	max. 1 bar
Application temperature:	$-15..90^\circ\text{C}$ in medium, $-15^\circ\text{C}..70^\circ\text{C}$ above fastening
Protection rating:	IP 65

Data sheet / Product information

Mini float switch M60...02.33.1 / M60...08.33.1

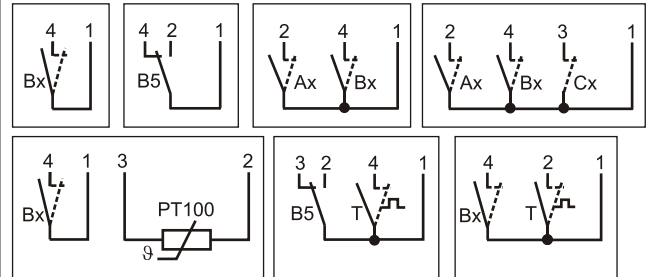
plug-type connector M12 4-pole / 5-pole

fastening M24x1,5

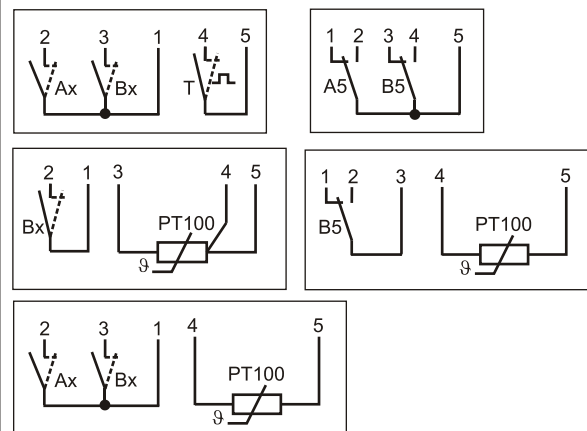


Terminal plan M12 4-pole (02)

Comment: Contacts possible either as n.o. contact or n.c. contact.



M12 5-pole (08)



[Back to product group](#)

Technical data:

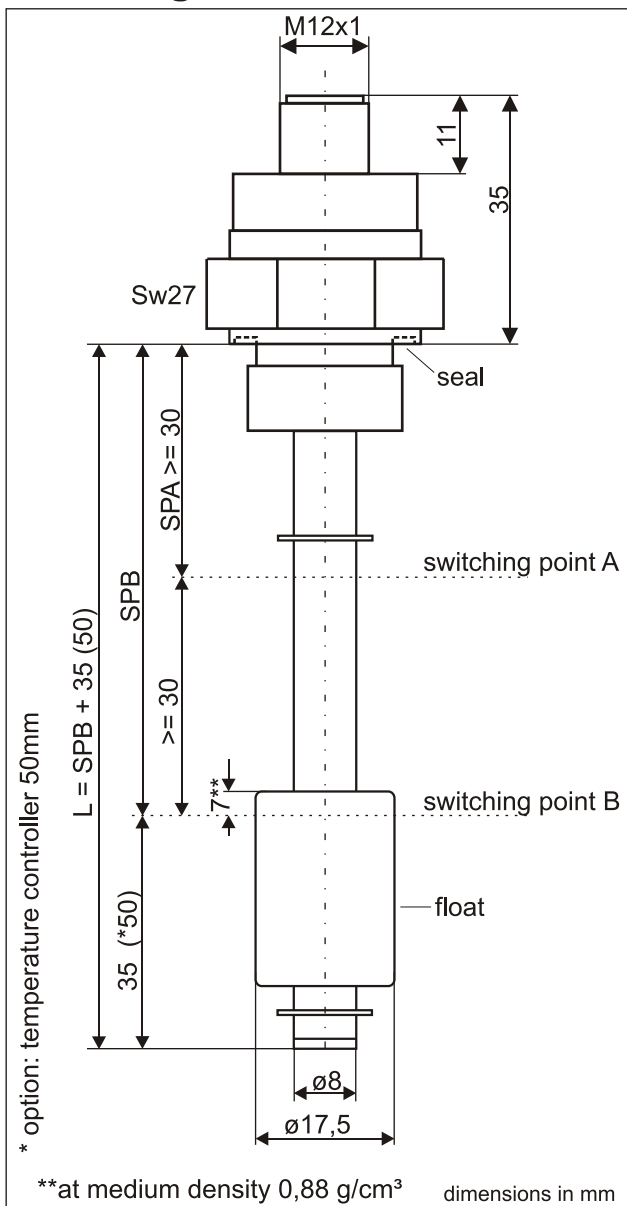
Connection:	material TPU, 4- and 5-pole M12 plug-type connector
Fastening:	material aluminium M24x1,5 screwed connection
Mounting position:	vertical $\pm 10^\circ$
Seal:	material NBR O-Ring
Sliding tube:	material brass or stainless steel ø8, material and length according to customer's indication
Float:	material NBR ø17,5x25mm
Reed contact:	max. 3x reed contacts n.o. contact or n.c. contact, function bistable
Switching voltage:	24VDC
Switching current:	150mA
Temperature switch:	optional, performance data see page 16
Temperature sensor:	optional, performance data see page 16
Pressure:	max. 1 bar
Application temperature:	-15..90°C in medium, -15°C..70°C above fastening
Protection rating:	IP 65

Data sheet / Product information

Mini float switch M60...02.24.1 / M60...08.24.1

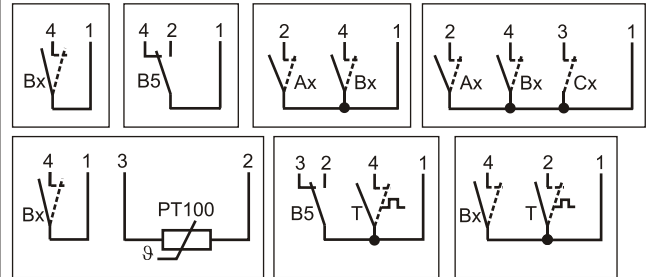
plug-type connector M12 4-pole / 5-pole

fastening M22x1,5

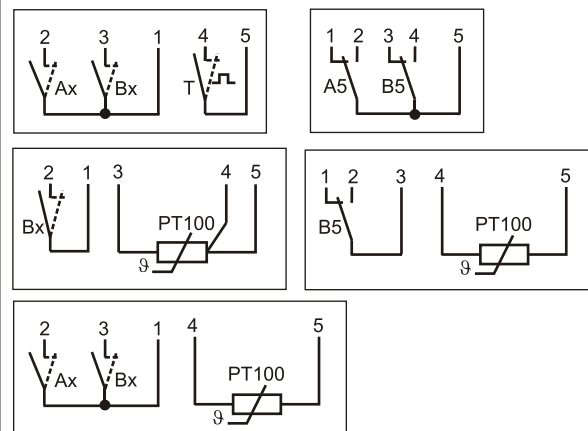


Terminal plan M12 4-pole (02)

Comment: Contacts possible either as n.o. contact or n.c. contact.



M12 5-pole (08)



[Back to product group](#)

Technical data:

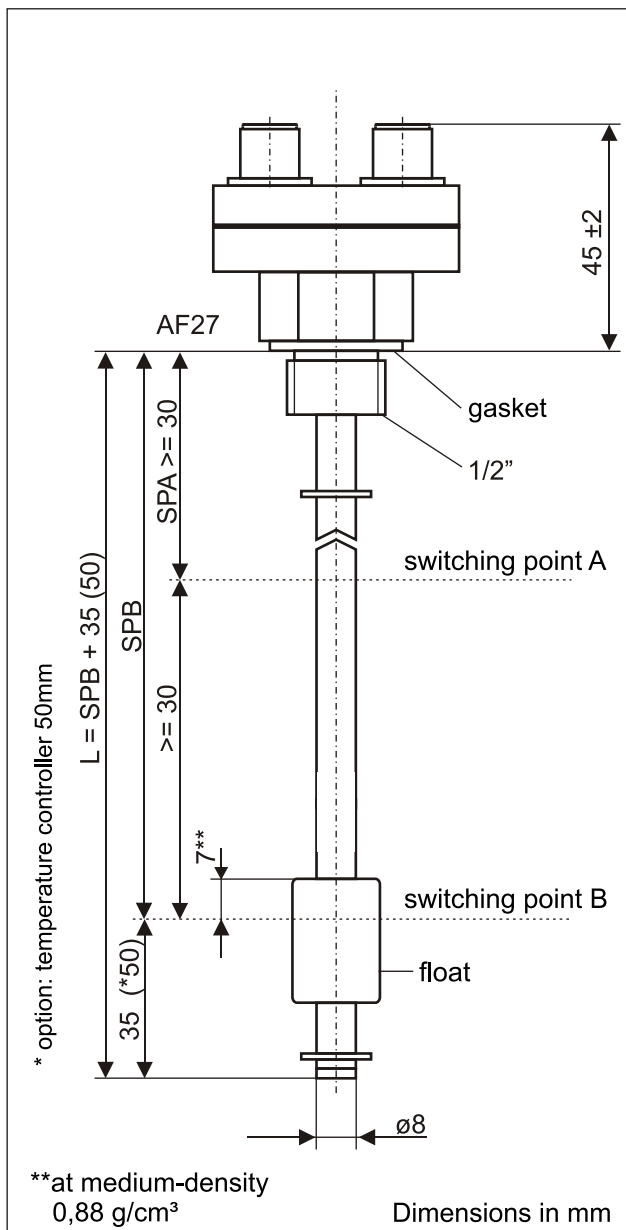
Connection:	material TPU, 4- and 5-pole M12 plug-type connector
Fastening:	material aluminium M22x1,5 screwed connection
Mounting position:	vertical $\pm 10^\circ$
Seal:	material NBR profile seal
Sliding tube:	material brass or stainless steel $\varnothing 8$, material and length according to customer's indication
Float:	material NBR $\varnothing 17,5 \times 25$ mm
Reed contact:	max. 3x reed contacts n.o. contact or n.c. contact, function bistable
Switching voltage:	24VDC
Switching current:	150mA
Temperature switch:	optional, performance data see page 16
Temperature sensor:	optional, performance data see page 16
Pressure:	max. 1 bar
Application temperature:	-15..90°C in medium, -15°C..70°C above fastening
Protection rating:	IP 65

Data sheet / Product information

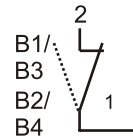
Mini float switch M60...09.02.1

with plug-type connector 2xM12

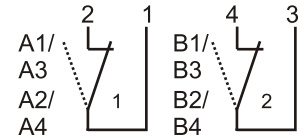
Mounting 1/2"



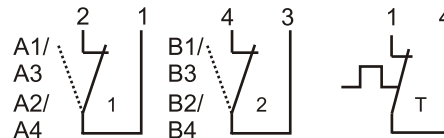
Example for terminal plan



1 x n.o. contact / n.c.contact
E. p. order key:
M60.1.B1.80.09.02.1



2 x n.o. contact / n.c.contact
E. p. order key:
M60.2.A2.B4.60.200.09.02.1



2 x n.o. contact / n.c.contact 1x Temperature switch
E. p. order key:
M60.2.A2.B4.60.200.09.02.1.700

[Back to product group](#)

Technical Data:

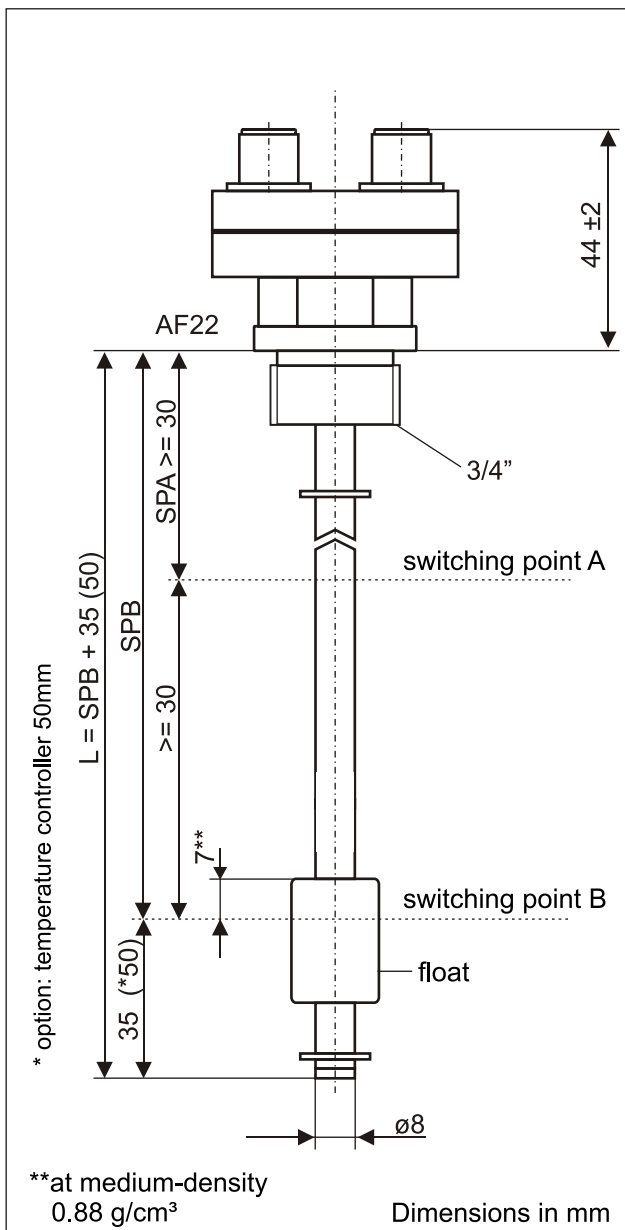
Connection:	plug-type connector 2x M12x1, 4-pole, material TPU, housing material aluminium
Mounting:	thread 1/2", material aluminium,
Mounting position:	vertical ±10°
Gasket:	profile seal. material NBR
Sliding tube:	ø8mm, material brass or stainless steel, material and length according to customer specification
Float:	ø17,5x25mm, material NBR, type S13
Reed contact:	max. 2x Reed contacts n.o. contact or n.c. contact, function bistable
Switching voltage:	24VDC
Switching current:	150mA
Temperature switch:	optional, performance data see page 16
Temperature sensor:	optional, performance data see page 16
Pressure:	max. 1 bar
Application temperature:	-15 to 90°C in medium, -15°C to 70°C above mounting
Protection rating:	IP 65

Data sheet / Product information

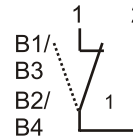
Mini float switch M60...09.13.1

with plug-type connector 2xM12

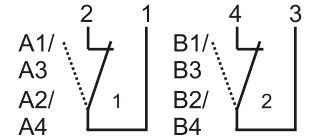
Mounting 3/4"



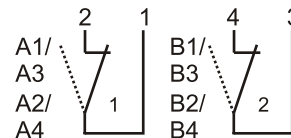
Example for terminal plan



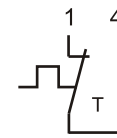
1 x n.o. contact / n.c. contact
E. p. order key:
M60.1.B1.80.09.13.1



2 x n.o. contact / n.c. contact
E. p. order key:
M60.2.A2.B4.60.200.09.13.1



2 x n.o. contact / n.c. contact
E. p. order key:
M60.2.A2.B4.60.200.09.02.1.700



1x Temperature switch

[Back to product group](#)

Technical Data:

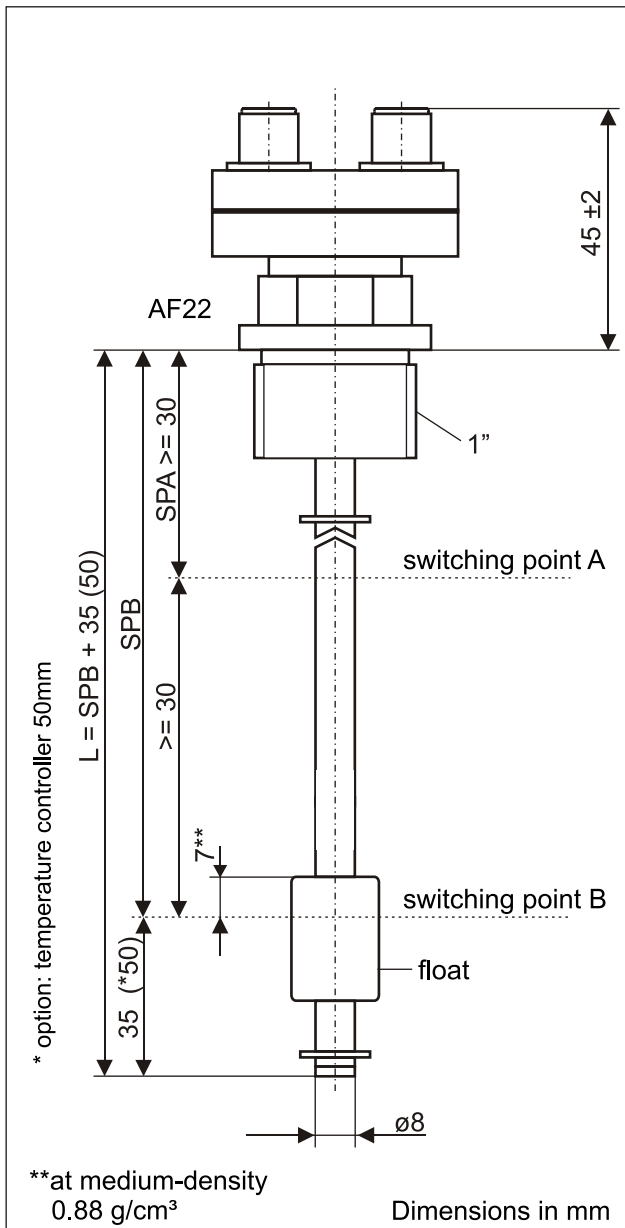
Connection:	plug-type connector 2x M12x1, 4-pole, material TPU, housing material aluminium
Mounting:	thread 3/4", material aluminium,
Mounting position:	vertical ±10°
Sliding tube:	ø8mm, material brass or stainless steel, material and length according to customer specification
Float:	ø17.5x25mm, material NBR, type S13
Reed contact:	max. 2x Reed contacts n.o. contact or n.c. contact, function bistable
Switching voltage:	24VDC
Switching current:	150mA
Temperature switch:	optional, performance data see page 16
Temperature sensor:	optional, performance data see page 16
Pressure:	max. 1 bar
Application temperature:	-15 to 90°C in medium, -15°C to 70°C above mounting
Protection rating:	IP 65

Data sheet / Product information

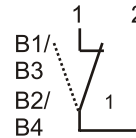
Mini float switch M60...09.22.1

with plug-type connector 2xM12

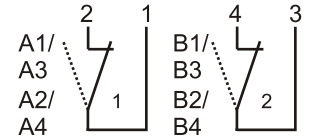
Mounting 1"



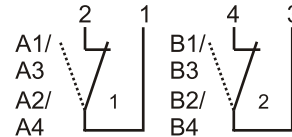
Example for terminal plan



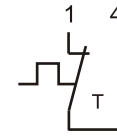
1 x n.o. contact / n.c.contact
E. p. order key:
M60.1.B1.80.09.22.1



2 x n.o. contact / n.c.contact
E. p. order key:
M60.2.A2.B4.60.200.09.22.1



2 x n.o. contact / n.c.contact
E. p. order key:
M60.2.A2.B4.60.200.09.22.1.700



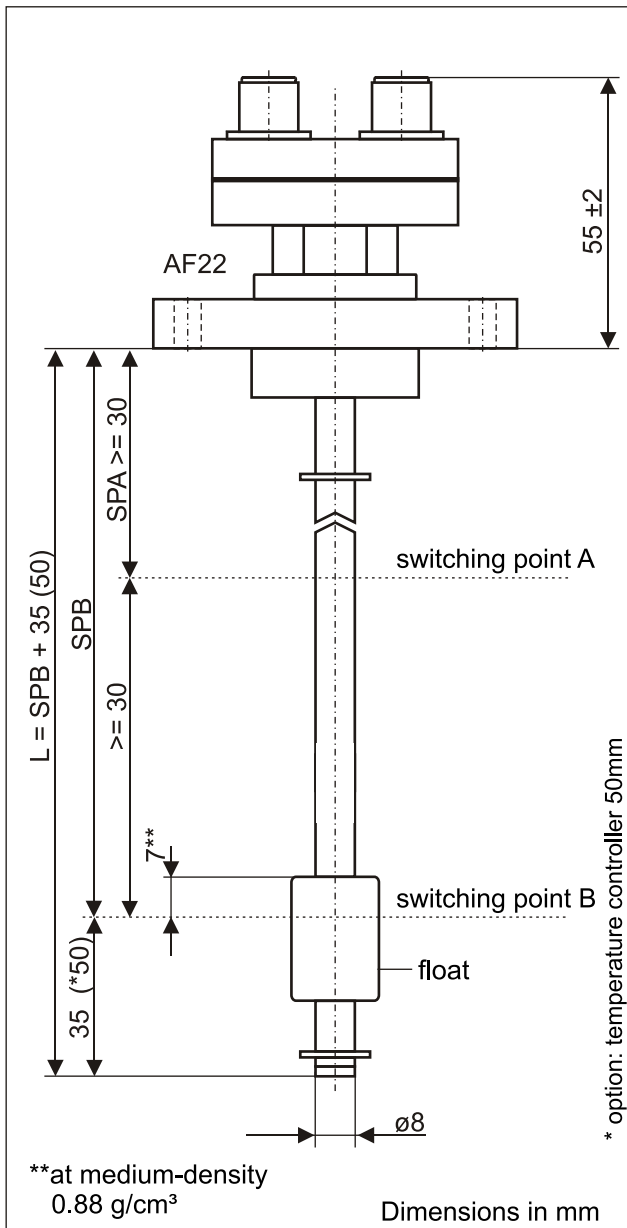
1x Temperature switch

[Back to product group](#)

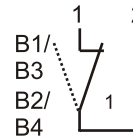
Technical Data:

Connection:	plug-type connector 2x M12x1, 4-pole, material TPU, housing material aluminium
Mounting:	thread 1", material aluminium,
Mounting position:	vertical ±10°
Sliding tube:	ø8mm, material brass or stainless steel, material and length according to customer specification
Float:	ø17.5x25mm, Material NBR, type S13
Reed contact:	max. 2x Reed contacts n.o. contact or n.c. contact, function bistable
Switching voltage:	24VDC
Switching current:	150mA
Temperature switch:	optional, performance data see page 16
Temperature sensor:	optional, performance data see page 16
Pressure:	max. 1 bar
Application temperature:	-15 to 90°C in medium, -15°C to 70°C above mounting
Protection rating:	IP 65

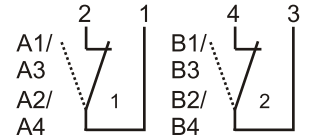
Data sheet / Product information
Mini float switchr M60...09.46.1
with plug-type connector 2xM12
Mounting round flange



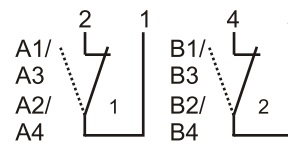
Example for terminal plan



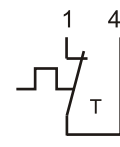
1 x n.o. contact / n.c. contact
 E. p. order key:
 M60.1.B1.80.09.46.1



2 x n.o. contact / n.c. contact
 E. p. order key:
 M60.2.A2.B4.60.200.09.46.1

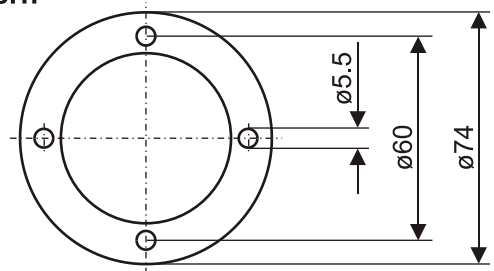


2 x n.o. contact / n.c. contact
 E. p. order key:
 M60.2.A2.B4.60.200.09.46.1.700



1x Temperature switch

Drilling pattern



[Back to product group](#)

Technical Data:

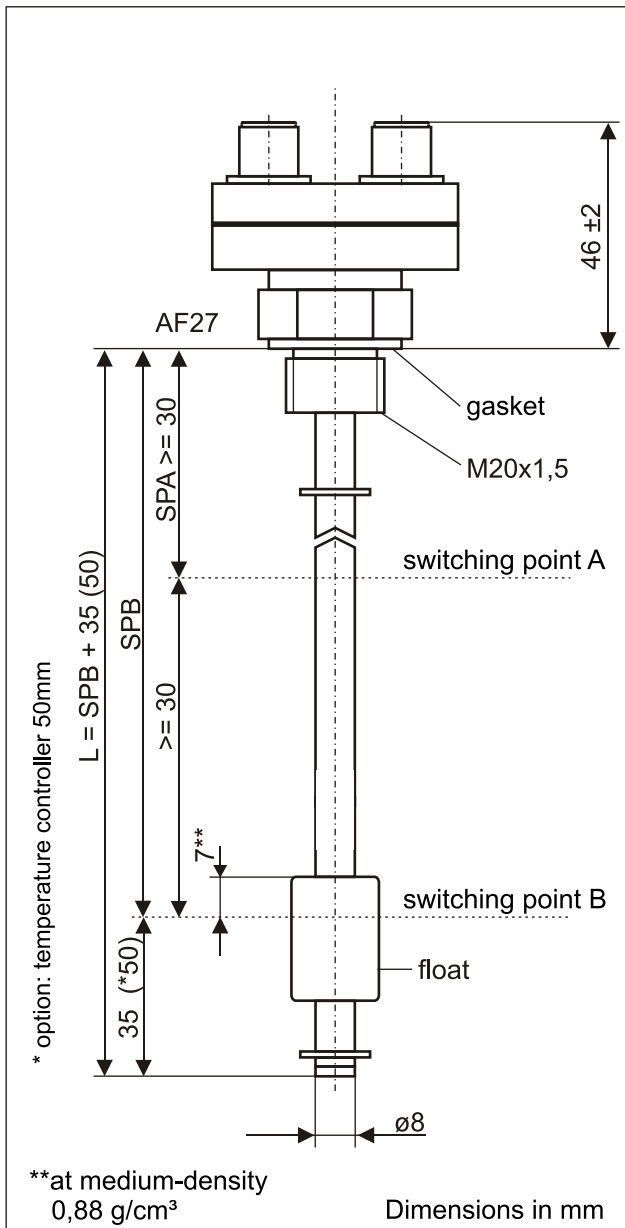
Connection:	plug-type connector 2x M12x1, 4-pole, material TPU, housing material aluminium
Mounting:	round flange AD74, material aluminium,
Mounting position:	vertical ±10°
Sliding tube:	ø8mm, material brass or stainless steel, material and length according to customer specification
Float:	ø17.5x25mm, material NBR, type S13
Reed contact:	max. 2x Reed contacts n.o. contact or n.c. contact, function bistable
Switching voltage:	24VDC
Switching current:	150mA
Temperature switch:	optional, performance data see page 16
Temperature sensor:	optional, performance data see page 16
Pressure:	max. 1 bar
Application temperature:	-15 to 90°C in medium, -15°C to 70°C above mounting
Protection rating:	IP 65

Data sheet / Product information

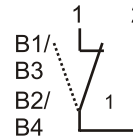
Mini float switch M60...09.01.1

with plug-type connector 2xM12

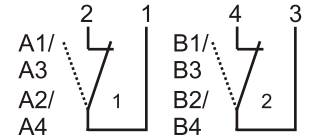
Mounting M20x1,5



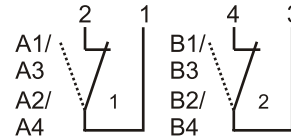
Example for terminal plan



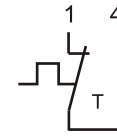
1 x n.o. contact / n.c. contact
E. p. order key:
M60.1.B1.80.09.01.1



2 x n.o. contact / n.c. contact
E. p. order key:
M60.2.A2.B4.60.200.09.01.1



2 x n.o. contact / n.c. contact
E. p. order key:
M60.2.A2.B4.60.200.09.01.1.700



1x Temperature switch

[Back to product group](#)

Technical Data:

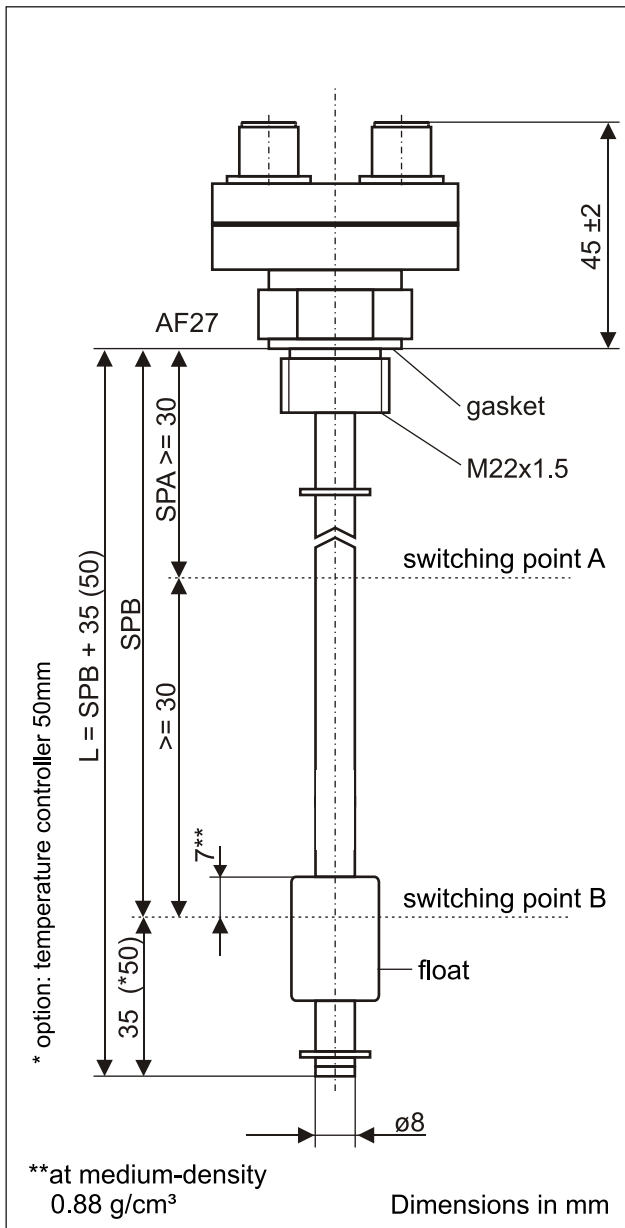
Connection:	plug-type connector 2x M12x1, 4-Pole, material TPU, housing material aluminium
Mounting:	thread M20x1.5, material aluminium,
Mounting position:	vertical ±10°
Gasket:	profile seal. material NBR
Sliding tube:	ø8mm, material brass or stainless steel, material and length according to customer specification
Float:	ø17,5x25mm, material NBR, type S13
Reed contact:	max. 2x Reed contacts n.o. contact or n.c. contact, function bistable
Switching voltage:	24VDC
Switching current:	150mA
Temperature switch:	optional, performance data see page 16
Temperature sensor:	optional, performance data see page 16
Pressure:	max. 1 bar
Application temperature:	-15 to 90°C in medium, -15°C to 70°C above mounting
Protection rating:	IP 65

Data sheet / Product information

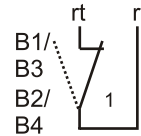
Mini float switch M60...09.24.1

with plug-type connector 2xM12

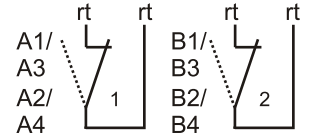
Mounting M22x1.5



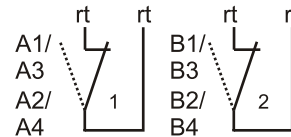
Example for terminal plan



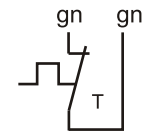
1 x n.o. contact / n.c. contact
E. p. order key:
M60.1.B1.80.09.24.1



2 x n.o. contact / n.c. contact
E. p. order key:
M60.2.A2.B4.60.200.09.24.1



2 x n.o. contact / n.c. contact
E. p. order key:
M60.2.A2.B4.60.200.09.24.1.700



1x Temperature switch

[Back to product group](#)

Technical Data:

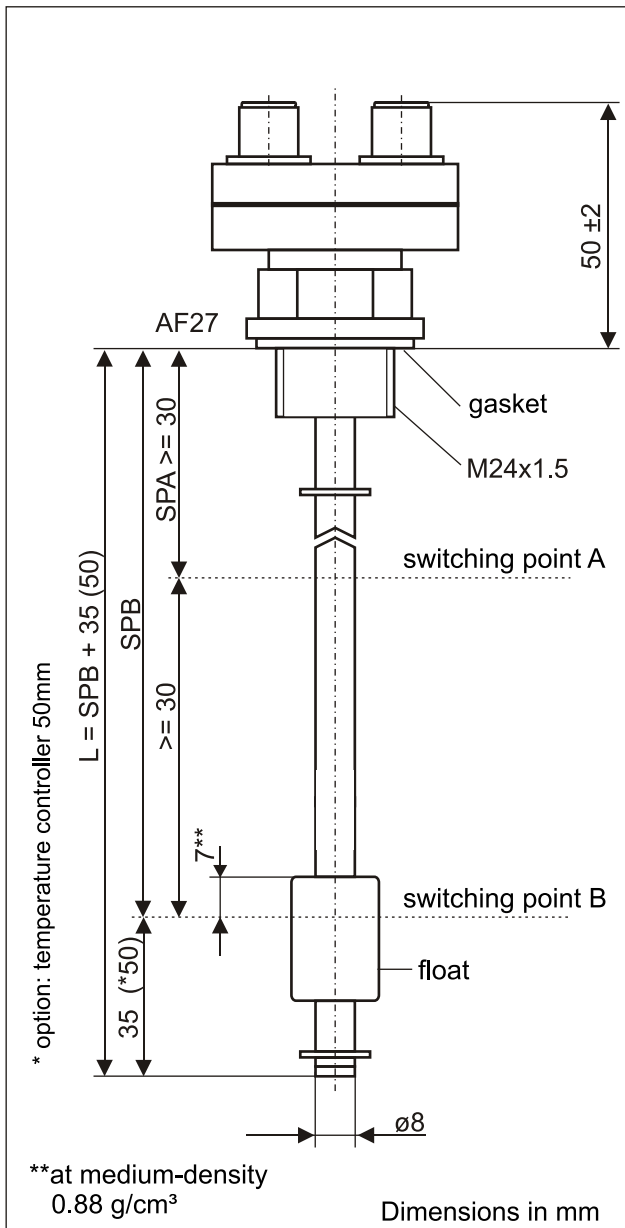
Connection:	plug-type connector 2x M12x1, 4-pole, material TPU, housing material aluminium
Mounting:	thread M22x1.5, material aluminium,
Mounting position:	vertical ±10°
Gasket:	profile seal, material NBR
Sliding tube:	ø8mm, material brass or stainless steel, material and length according to customer specification
Float:	ø17.5x25mm, material NBR, type S13
Reed contact:	max. 2x Reed contacts n.o. contact or n.c. contact, function bistable
Switching voltage:	24VDC
Switching current:	150mA
Temperature switch:	optional, performance data see page 16
Temperature sensor:	optional, performance data see page 16
Pressure:	max. 1 bar
Application temperature:	-15 to 90°C in medium, -15°C to 70°C above mounting
Protection rating:	IP 65

Data sheet / Product information

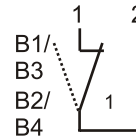
Mini float switch M60...09.33.1

with plug-type connector 2xM12

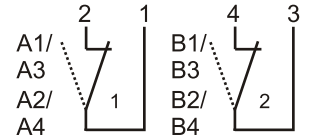
Mounting M24x1.5



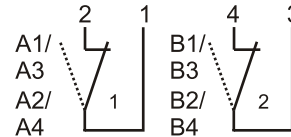
Example for terminal plan



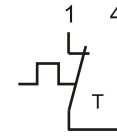
1 x n.o. contact / n.c. contact
E. p. order key:
M60.1.B1.80.09.33.1



2 x n.o. contact / n.c. contact
E. p. order key:
M60.2.A2.B4.60.200.09.33.1



2 x n.o. contact / n.c. contact
E. p. order key:
M60.2.A2.B4.60.200.09.33.1.700



1x Temperature switch

[Back to product group](#)

Technical Data:

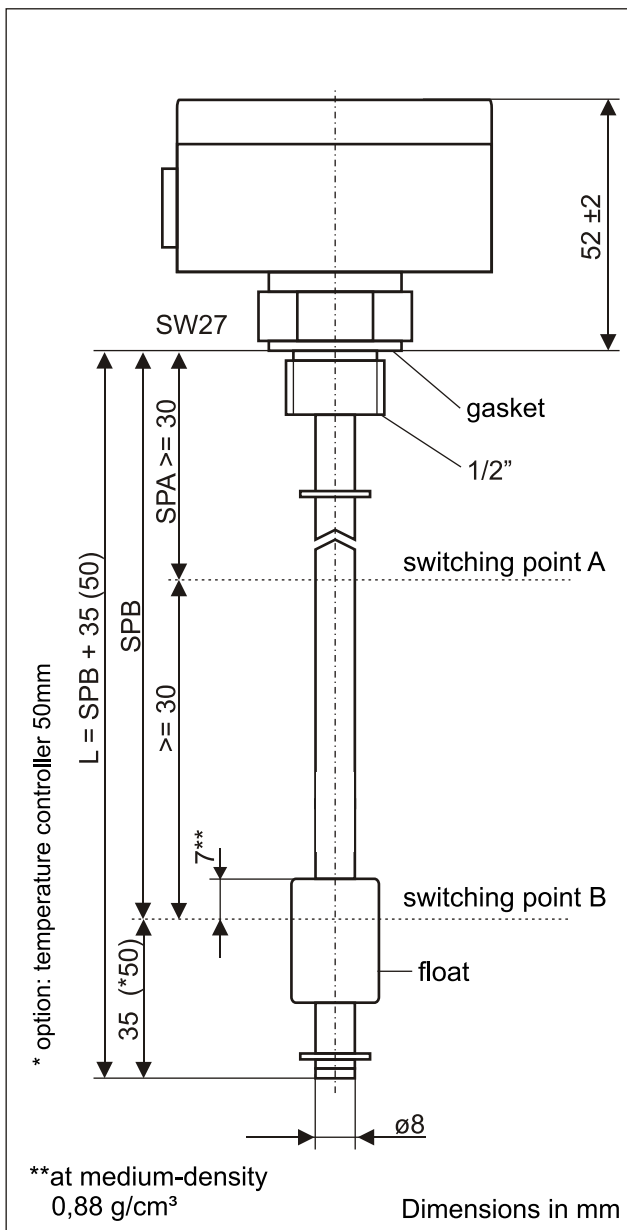
Connection:	plug-type connector 2x M12x1, 4-pole, material TPU, housing material aluminium
Mounting:	thread M24x1.5, material aluminium,
Mounting position:	vertical ±10°
Gasket:	profile seal, material NBR
Sliding tube:	ø8mm, material brass or stainless steel, material and length according to customer specification
Float:	ø17,5x25mm, material NBR, type S13
Reed contact:	max. 2x Reed contacts n.o. contact or n.c. contact, function bistable
Switching voltage:	24VDC
Switching current:	150mA
Temperature switch:	optional, performance data see page 16
Temperature sensor:	optional, performance data see page 16
Pressure:	max. 1 bar
Application temperature:	-15 to 90°C in medium, -15°C to 70°C above mounting
Protection rating:	IP 65

Data sheet / Product information

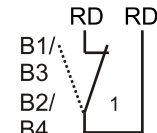
Mini float switch M60...10.02.1

with terminal housing

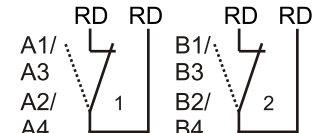
Mounting 1/2"



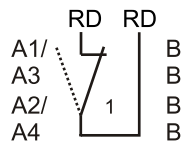
Example for terminal plan



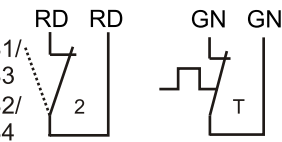
1 x n.o. contact / n.c.contact
 E. p. order key:
 M60.1.B1.80.10.02.1



2 x n.o. contact / n.c.contact
 E. p. order key:
 M60.2.A2.B4.60.200.10.02.1



2 x n.o. contact / n.c.contact
 E. p. order key:
 M60.2.A2.B4.60.200.10.02.1.700



1x temperature switch

[Back to product group](#)

Technical Data:

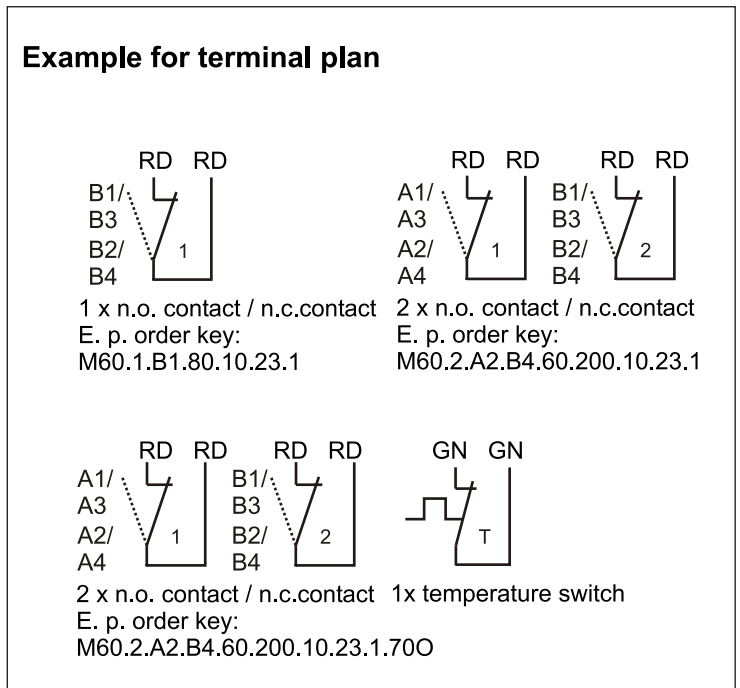
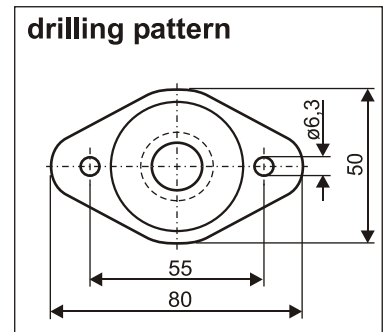
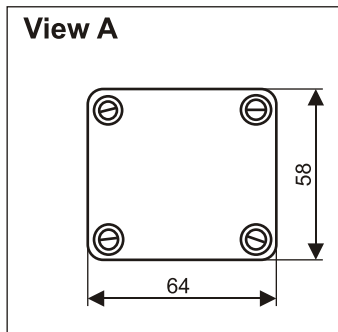
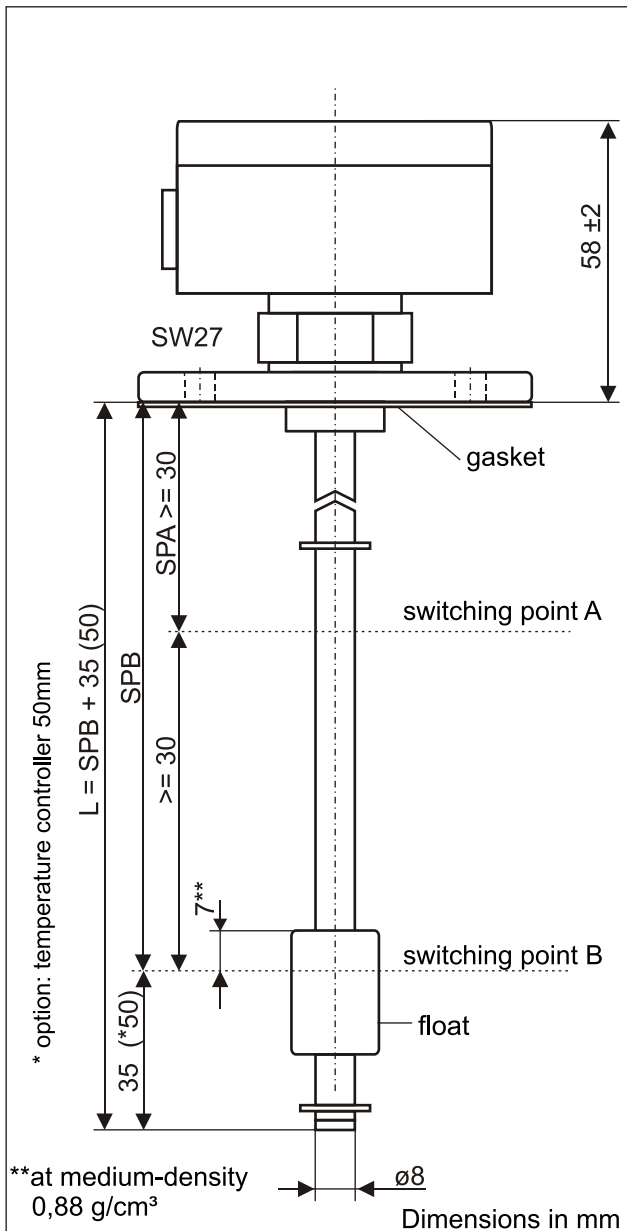
Connection:	terminal connection 1,5mm ² in housing terminal entrance on housing M16x1,5, housing material aluminium, colour grey
Mounting:	thread 1/2", material aluminium,
Mounting position:	vertical ±10°
Gasket:	material NBR
Sliding tube:	ø8mm, material brass or stainless steel, material and length according to customer's specification
Float:	ø17,5x25mm, material NBR, Type S13
Reed contact:	max. 2x Reed contacts n.o. contact or n.c. contact, function bistable
Switching voltage:	24VDC
Switching current:	150mA
Temperature switch:	optional, performance data see page 16
Temperature sensor:	optional, performance data see page 16
Pressure:	max. 1 bar
Application temperature:	-15 to 90°C in medium, -15°C to 70°C above mounting
Protection rating:	IP 65

Data sheet / Product information

Mini float switch M60...10.23.1

with terminal housing

Mounting oval flange



[Back to product group](#)

Technical Data:

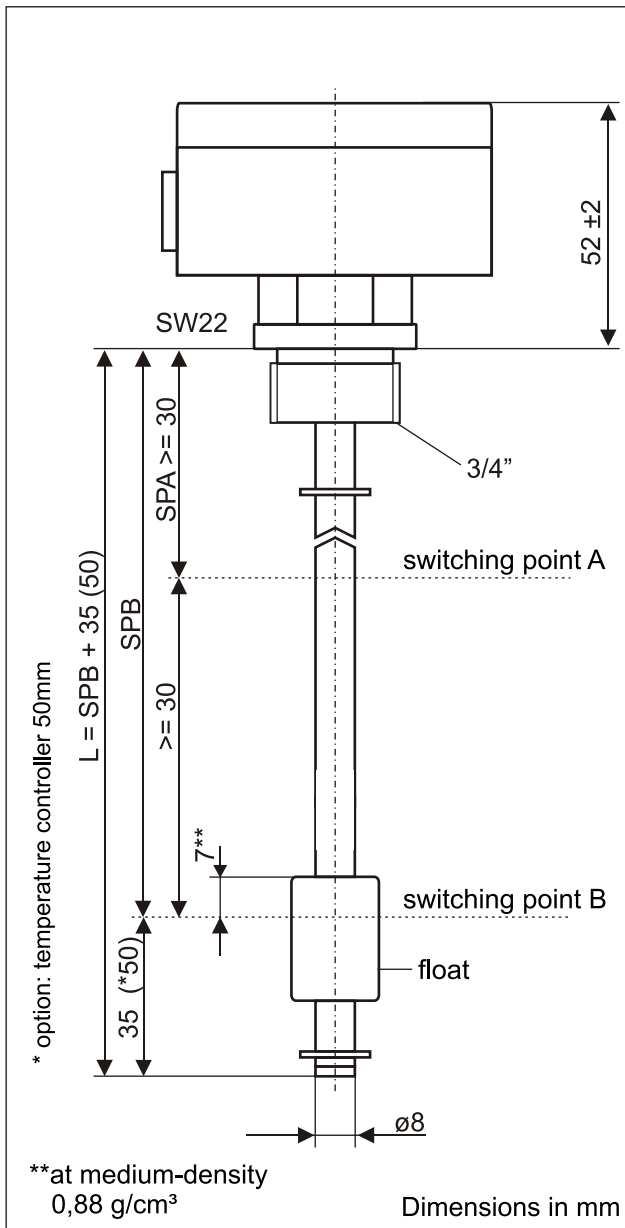
Connection:	terminal connection 1,5mm ² in housing terminal entrance on housing M16x1,5, housing material aluminium, colour grey
Mounting:	oval flange, material aluminium,
Mounting position:	vertical ±10°
Gasket:	material NBR
Sliding tube:	ø8mm, material brass or stainless steel, material and length according to customer's specification
Float:	ø17,5x25mm, material NBR, Type S13
Reed contact:	max. 2x Reed contacts n.o. contact or n.c. contact, function bistable
Switching voltage:	24VDC
Switching current:	150mA
Temperature switch:	optional, performance data see page 16
Temperature sensor:	optional, performance data see page 16
Pressure:	max. 1 bar
Application temperature:	-15 to 90°C in medium, -15°C to 70°C above mounting
Protection rating:	IP 65

Data sheet / Product information

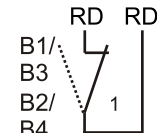
Mini float switch M60...10.13.1

with terminal housing

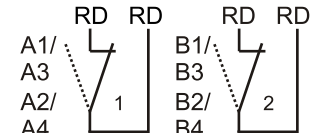
Mounting 3/4"



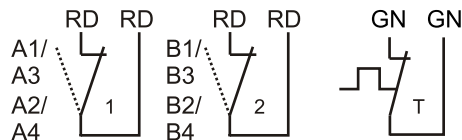
Example for terminal plan



1 x n.o. contact / n.c. contact
E. p. order key:
M60.1.B1.80.10.13.1



2 x n.o. contact / n.c. contact
E. p. order key:
M60.2.A2.B4.60.200.10.13.1



2 x n.o. contact / n.c. contact 1x temperature switch
E. p. order key:
M60.2.A2.B4.60.200.10.13.1.700

[Back to product group](#)

Technical Data:

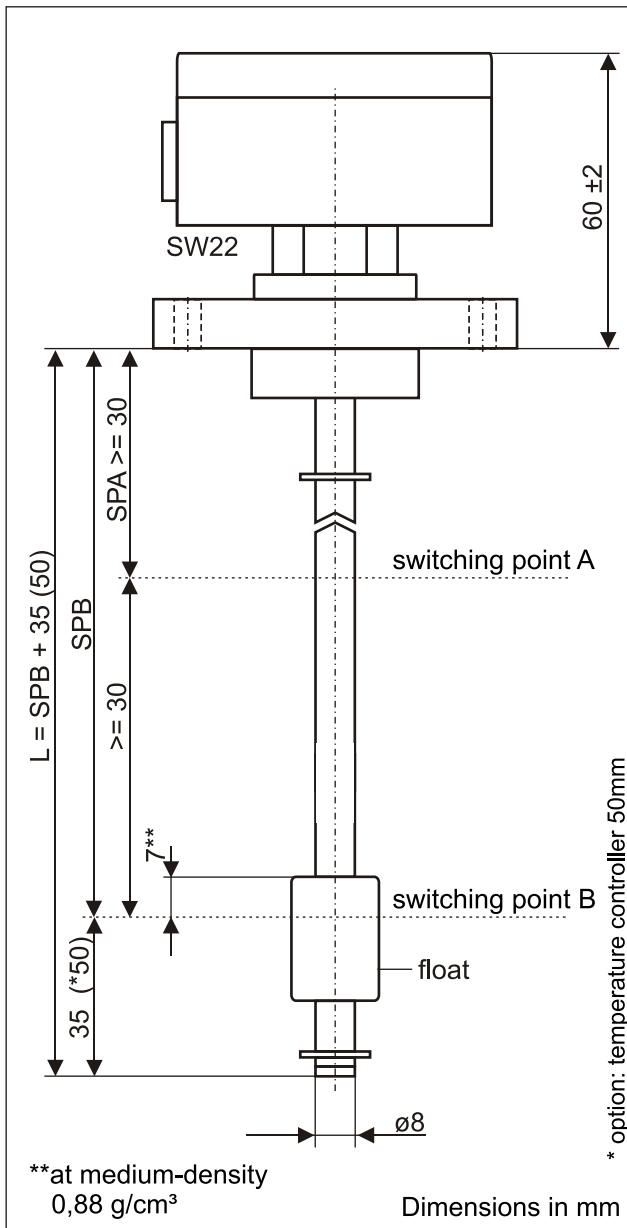
Connection:	terminal connection 1,5mm ² in housing terminal entrance on housing M16x1,5, housing material aluminium, colour grey
Mounting:	thread 3/4", material aluminium,
Mounting position:	vertical ±10°
Sliding tube:	ø8mm, material brass or stainless steel, material and length according to customer's specification
Float:	ø17,5x25mm, material NBR, Type S13
Reed contact:	max. 2x Reed contacts n.o. contact or n.c. contact, function bistable
Switching voltage:	24VDC
Switching current:	150mA
Temperature switch:	optional, performance data see page 16
Temperature sensor:	optional, performance data see page 16
Pressure:	max. 1 bar
Application temperature:	-15 to 90°C in medium, -15°C to 70°C above mounting
Protection rating:	IP 65

Data sheet / Product information

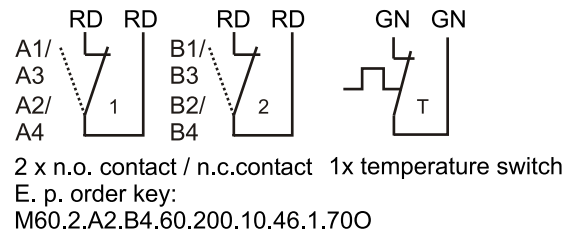
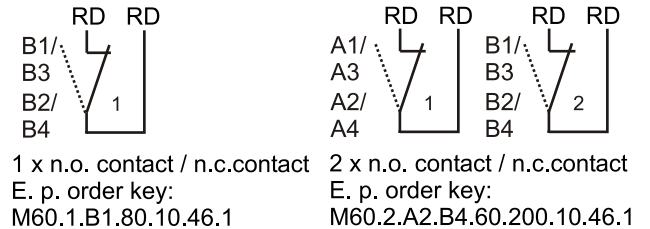
Mini float switch M60...10.46.1

with terminal housing

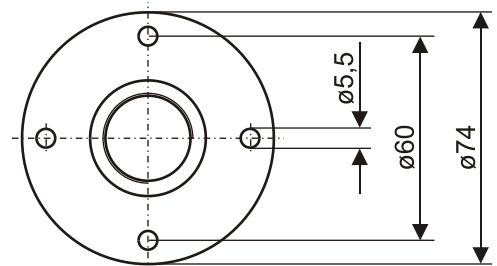
Mounting round flange



Example for terminal plan



Drill plan

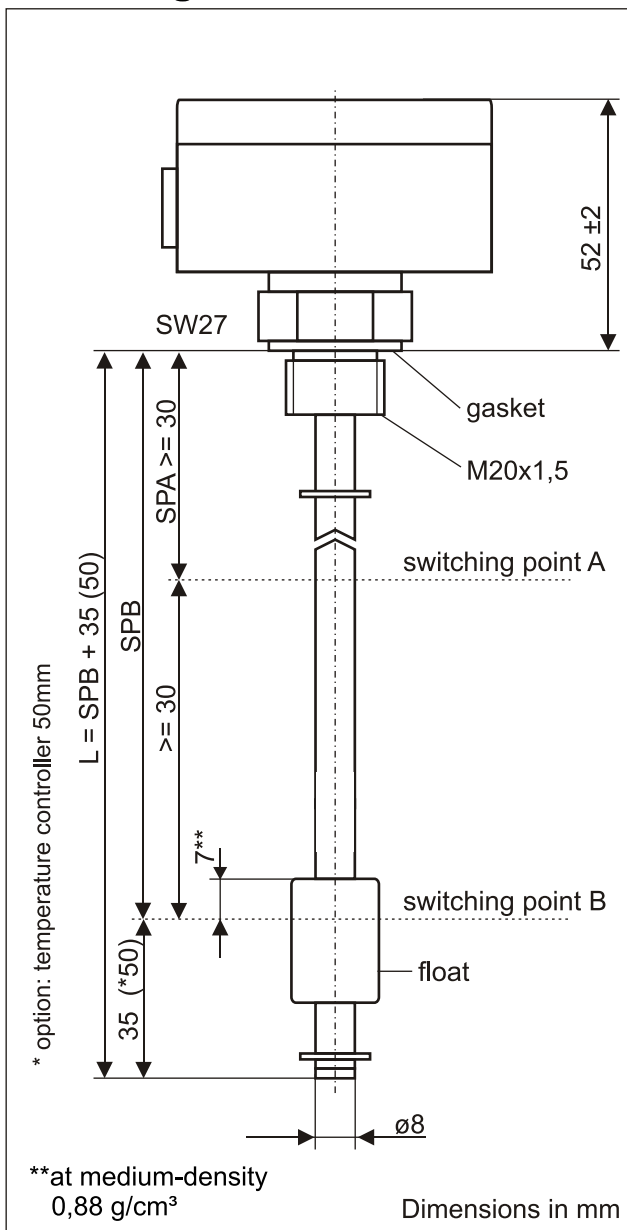


[Back to product group](#)

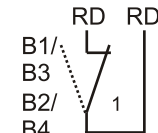
Technical Data:

Connection:	terminal connection $1,5 \text{ mm}^2$ in housing terminal entrance on housing $M16 \times 1,5$, housing material aluminium, colour grey
Mounting:	round flange AD 74mm, material aluminium,
Mounting position:	vertical $\pm 10^\circ$
Sliding tube:	$\varnothing 8 \text{ mm}$, material brass or stainless steel, material and length according to customer's specification
Float:	$\varnothing 17,5 \times 25 \text{ mm}$, material NBR, Type S13
Reed contact:	max. 2x Reed contacts n.o. contact or n.c. contact, function bistable
Switching voltage:	24VDC
Switching current:	150mA
Temperature switch:	optional, performance data see page 16
Temperature sensor:	optional, performance data see page 16
Pressure:	max. 1 bar
Application temperature:	-15 to 90° C in medium, -15° C to 70° C above mounting
Protection rating:	IP 65

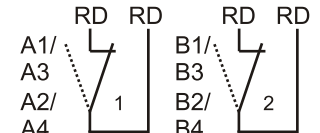
Data sheet / Product information
Mini float switch M60...10.01.1
with terminal housing
Mounting M20x1,5



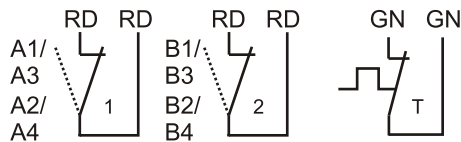
Example for terminal plan



1 x n.o. contact / n.c. contact
 E. p. order key:
 M60.1.B1.80.10.01.1



2 x n.o. contact / n.c. contact
 E. p. order key:
 M60.2.A2.B4.60.200.10.01.1



2 x n.o. contact / n.c. contact 1x temperature switch
 E. p. order key:
 M60.2.A2.B4.60.200.10.01.1.700

[Back to product group](#)

Technical Data:

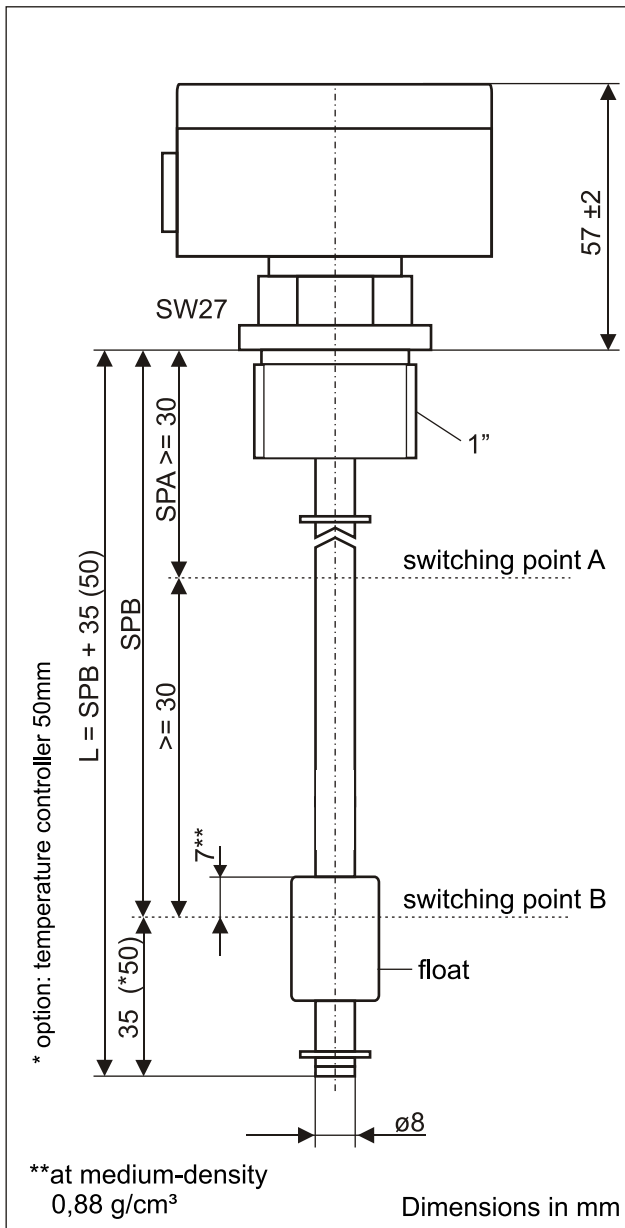
Connection:	terminal connection 1,5mm ² in housing terminal entrance on housing M16x1,5, housing material aluminium, colour grey
Mounting:	thread M20x1,5, material aluminium,
Mounting position:	vertical ±10°
Gasket:	material NBR
Sliding tube:	ø8mm, material brass or stainless steel, material and length according to customer's specification
Float:	ø17,5x25mm, material NBR, Type S13
Reed contact:	max. 2x Reed contacts n.o. contact or n.c. contact, function bistable
Switching voltage:	24VDC
Switching current:	150mA
Temperature switch:	optional, performance data see page 16
Temperature sensor:	optional, performance data see page 16
Pressure:	max. 1 bar
Application temperature:	-15 to 90°C in medium, -15°C to 70°C above mounting
Protection rating:	IP 65

Data sheet / Product information

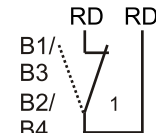
Mini float switch M60...10.22.1

with terminal housing

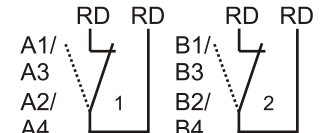
Mounting 1"



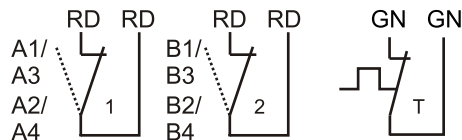
Example for terminal plan



1 x n.o. contact / n.c.contact
E. p. order key:
M60.1.B1.80.10.22.1



2 x n.o. contact / n.c.contact
E. p. order key:
M60.2.A2.B4.60.200.10.22.1



2 x n.o. contact / n.c.contact 1x temperature switch
E. p. order key:
M60.2.A2.B4.60.200.10.22.1.700

[Back to product group](#)

Technical Data:

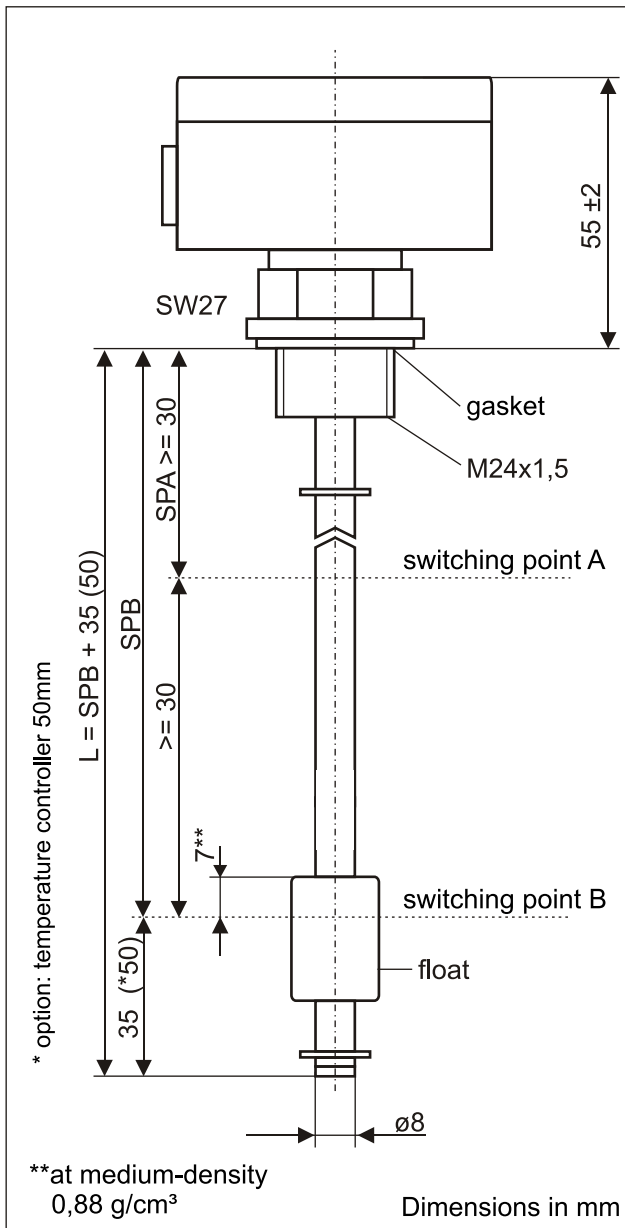
Connection:	terminal connection 1,5mm ² in housing terminal entrance on housing M16x1,5, housing material aluminium, colour grey
Mounting:	thread 1", material aluminium,
Mounting position:	vertical ±10°
Sliding tube:	ø8mm, material brass or stainless steel, material and length according to customer's specification
Float:	ø17,5x25mm, material NBR, Type S13
Reed contact:	max. 2x Reed contacts n.o. contact or n.c. contact, function bistable
Switching voltage:	24VDC
Switching current:	150mA
Temperature switch:	optional, performance data see page 16
Temperature sensor:	optional, performance data see page 16
Pressure:	max. 1 bar
Application temperature:	-15 to 90°C in medium, -15°C to 70°C above mounting
Protection rating:	IP 65

Data sheet / Product information

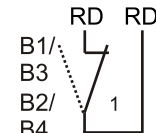
Mini float switch M60...10.33.1

with terminal housing

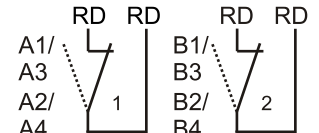
Mounting M24x1,5



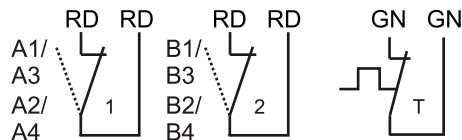
Example for terminal plan



1 x n.o. contact / n.c.contact
E. p. order key:
M60.1.B1.80.10.33.1



2 x n.o. contact / n.c.contact
E. p. order key:
M60.2.A2.B4.60.200.10.33.1



2 x n.o. contact / n.c.contact 1x temperature switch
E. p. order key:
M60.2.A2.B4.60.200.10.33.1.700

[Back to product group](#)

Technical Data:

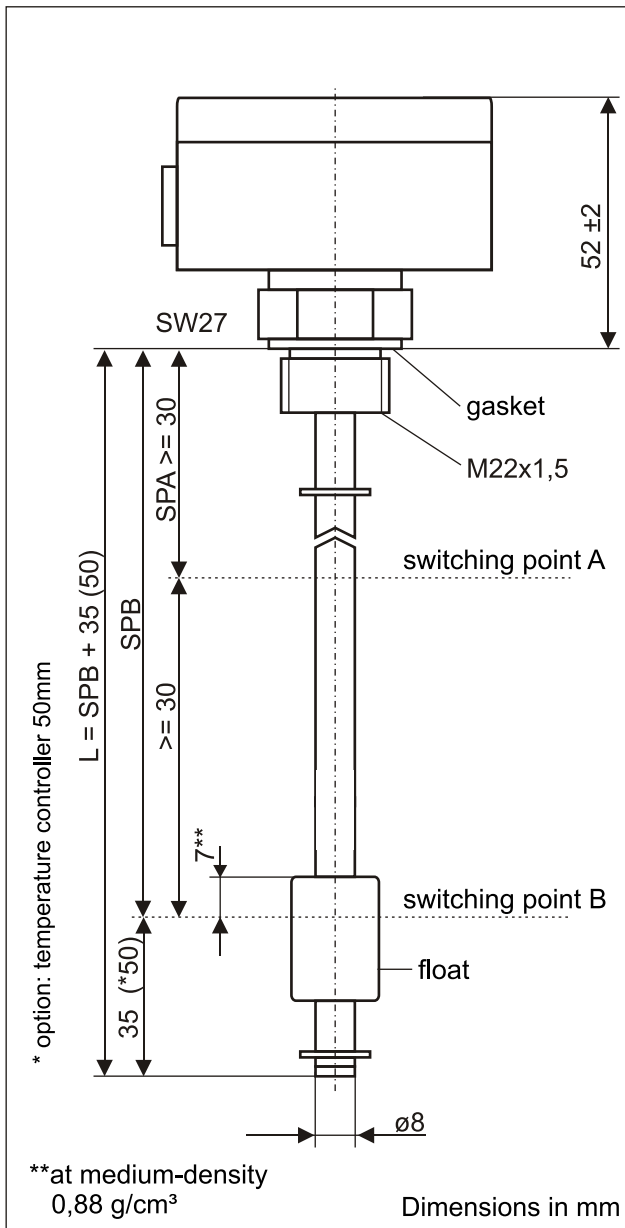
Connection:	terminal connection 1,5mm ² in housing terminal entrance on housing M16x1,5, housing material aluminium, colour grey
Mounting:	thread M24x1,5, material aluminium,
Mounting position:	vertical ±10°
Gasket:	material NBR
Sliding tube:	ø8mm, material brass or stainless steel, material and length according to customer's specification
Float:	ø17,5x25mm, material NBR, Type S13
Reed contact:	max. 2x Reed contacts n.o. contact or n.c. contact, function bistable
Switching voltage:	24VDC
Switching current:	150mA
Temperature switch:	optional, performance data see page 16
Temperature sensor:	optional, performance data see page 16
Pressure:	max. 1 bar
Application temperature:	-15 to 90°C in medium, -15°C to 70°C above mounting
Protection rating:	IP 65

Data sheet / Product information

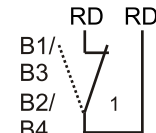
Mini float switch M60...10.24.1

with terminal housing

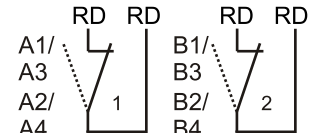
Mounting M22x1,5



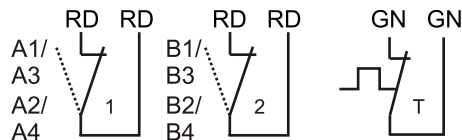
Example for terminal plan



1 x n.o. contact / n.c.contact
E. p. order key:
M60.1.B1.80.10.24.1



2 x n.o. contact / n.c.contact
E. p. order key:
M60.2.A2.B4.60.200.10.24.1



2 x n.o. contact / n.c.contact 1x temperature switch
E. p. order key:
M60.2.A2.B4.60.200.10.24.1.700

[Back to product group](#)

Technical Data:

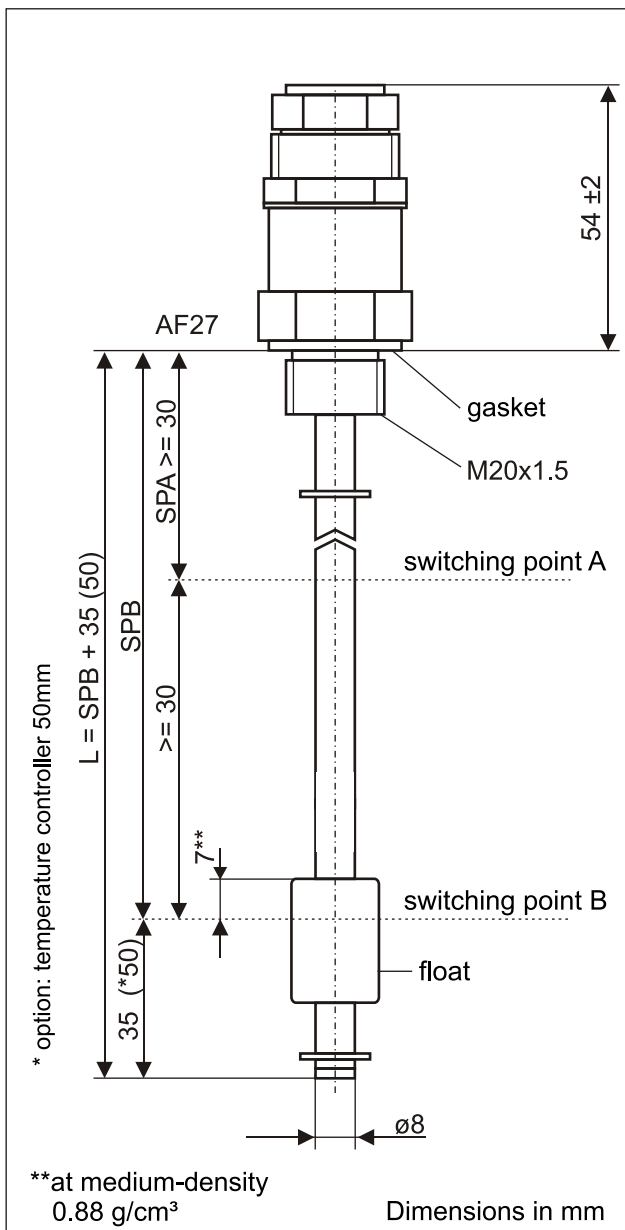
Connection:	terminal connection 1,5mm ² in housing terminal entrance on housing M16x1,5, housing material aluminium, colour grey
Mounting:	thread M22x1,5, material aluminium,
Mounting position:	vertical ±10°
Gasket:	material NBR
Sliding tube:	ø8mm, material brass or stainless steel, material and length according to customer's specification
Float:	ø17,5x25mm, material NBR, Type S13
Reed contact:	max. 2x Reed contacts n.o. contact or n.c. contact, function bistable
Switching voltage:	24VDC
Switching current:	150mA
Temperature switch:	optional, performance data see page 16
Temperature sensor:	optional, performance data see page 16
Pressure:	max. 1 bar
Application temperature:	-15 to 90°C in medium, -15°C to 70°C above mounting
Protection rating:	IP 65

Data sheet / Product information

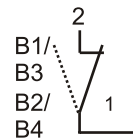
Mini float switch M60...13.01.1

with plug-type connector 6-pole

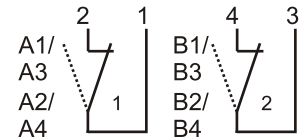
Mounting M20x1.5



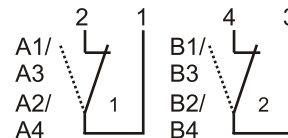
Example for terminal plan



1 x n.o. contact / n.c.contact
E. p. order key:
M60.1.B1.80.13.01.1



2 x n.o. contact / n.c.contact
E. p. order key:
M60.2.A2.B4.60.200.13.01.1



2 x n.o. contact / n.c.contact 1x Temperature switch
E. p. order key:
M60.2.A2.B4.60.200.13.01.1.700

[Back to product group](#)

Technical Data:

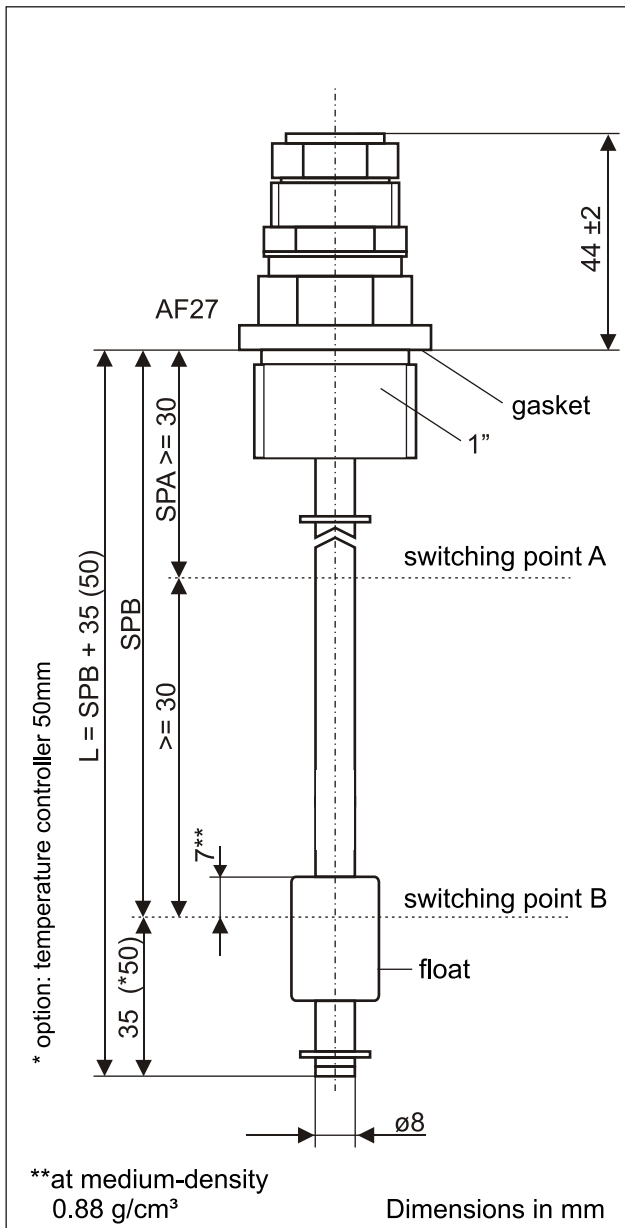
Connection:	plug-type connector, 6-pole, material PE DIN 43651
Mounting:	thread M20x1.5, material aluminium,
Mounting position:	vertical ±10°
Gasket:	profile seal. material NBR
Sliding tube:	ø8mm, material brass or stainless steel, material and length according to customer specification
Float:	ø17.5x25mm, material NBR, type S13
Reed contact:	max. 2x Reed contacts n.o. contact or n.c. contact, function bistable
Switching voltage:	24VDC
Switching current:	150mA
Temperature switch:	optional, performance data see page 16
Temperature sensor:	optional, performance data see page 16
Pressure:	max. 1 bar
Application temperature:	-15 to 90°C in medium, -15°C to 70°C above mounting
Protection rating:	IP 65

Data sheet / Product information

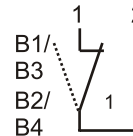
Mini float switch M60...13.22.1

with plug-type connector 6-pole

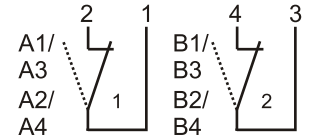
Mounting 1"



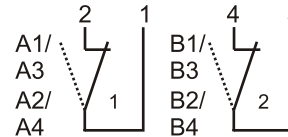
Example for terminal plan



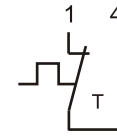
1 x n.o. contact / n.c. contact
E. p. order key:
M60.1.B1.80.13.22.1



2 x n.o. contact / n.c. contact
E. p. order key:
M60.2.A2.B4.60.200.13.22.1



2 x n.o. contact / n.c. contact
E. p. order key:
M60.2.A2.B4.60.200.13.22.1.700



1x Temperature switch

[Back to product group](#)

Technical Data:

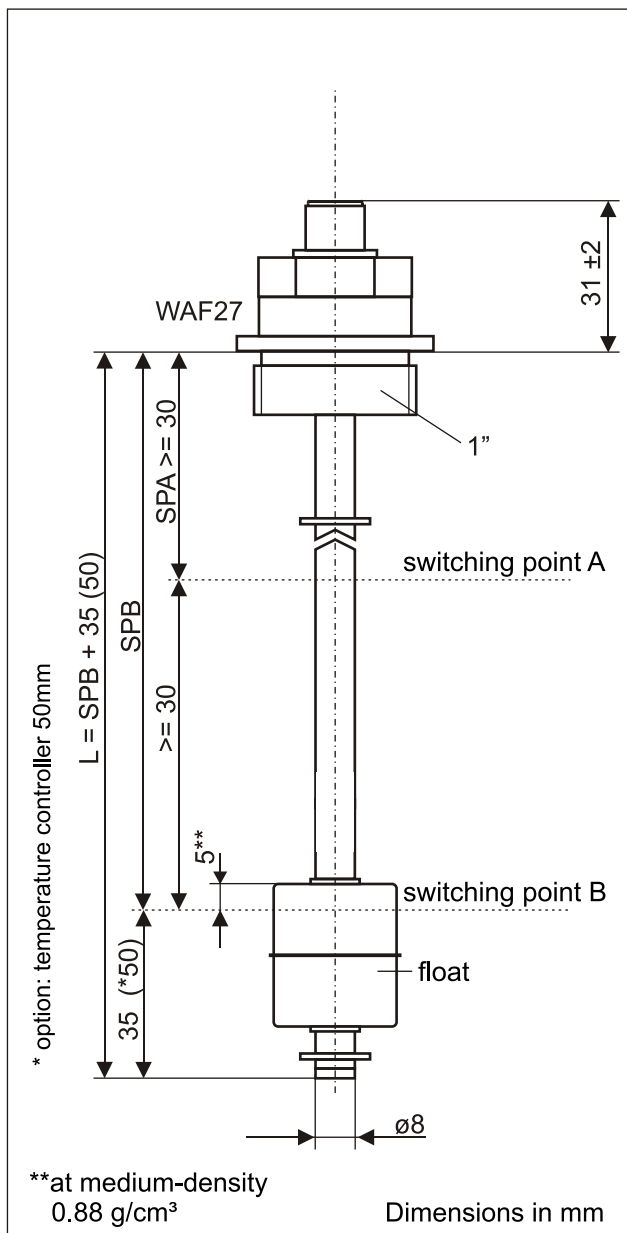
Connection:	plug-type connector, 6-pole, material PE DIN 43651
Mounting:	thread 1", material aluminium,
Mounting position:	vertical ±10°
Gasket:	profile seal. material NBR
Sliding tube:	ø8mm, material brass or stainless steel, material and length according to customer specification
Float:	ø17.5x25mm, material NBR, type S13
Reed contact:	max. 2x Reed contacts n.o. contact or n.c. contact, function bistable
Switching voltage:	24VDC
Switching current:	150mA
Temperature switch:	optional, performance data see page 16
Temperature sensor:	optional, performance data see page 16
Pressure:	max. 1 bar
Application temperature:	-15 to 90°C in medium, -15°C to 70°C above mounting
Protection rating:	IP 65

Data sheet / Product information

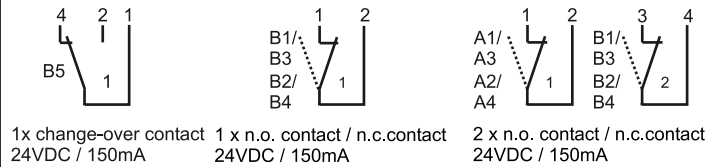
Mini float switch M60.2...10.2

in stainless steel with plug-type connector M12

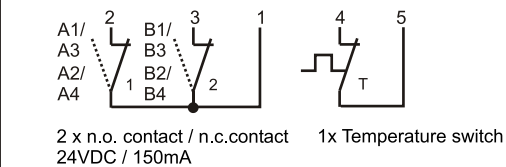
Mounting 1"



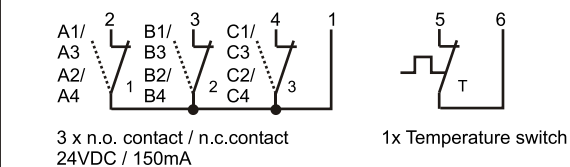
Example for terminal plan 4-pole



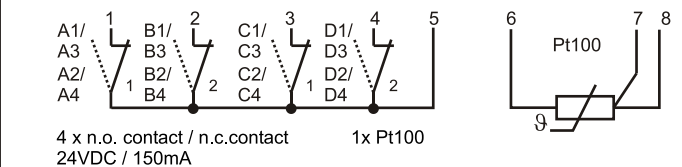
Example for terminal plan 5-pole



Example for terminal plan 6-pole



Example for terminal plan 8-pole



[Back to product group](#)

Technical Data:

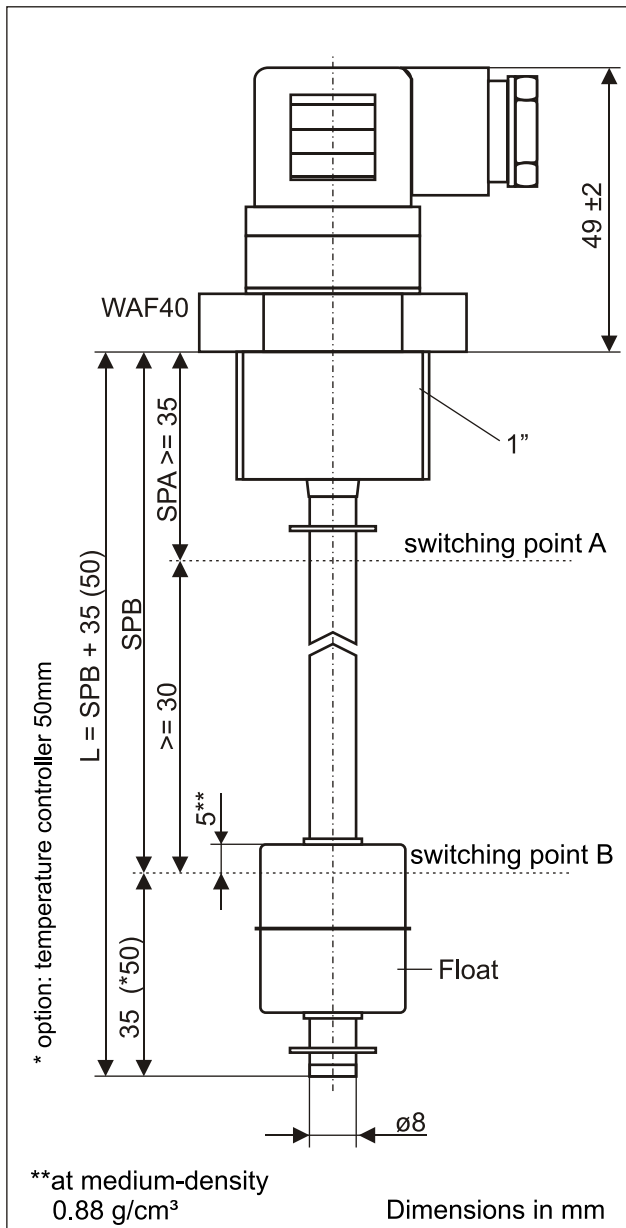
Connection:	plug-type connector M12x1, 4-pole, 5-pole, 6-pole or 8-pole, to customers input
Mounting:	thread 1", material stainless steel,
Mounting position:	vertical $\pm 10^\circ$
Sliding tube:	$\varnothing 8$ mm, material stainless steel, material and length according to customer specification
Float:	$\varnothing 27 \times 31$ mm, material stainless steel, type S12
Reed contact:	max. 2x Reed contacts n.o. contact or n.c. contact, function bistable
Switching voltage:	24VDC
Switching current:	150mA
Temperature switch:	optional, performance data see page 16
Temperature sensor:	optional, performance data see page 16
Pressure:	max. 1 bar
Application temperature:	-15 to 90°C in medium, -15°C to 70°C above mounting
Protection rating:	IP 65

Data sheet / Product information

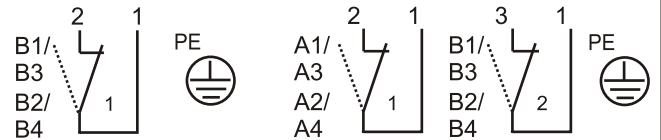
Mini float switch M60.2...01.10.2

in stainless steel with plug-type connector 3-pole DIN

Mounting 1"

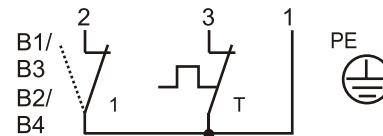


Example for terminal plan



1 x n.o. contact / n.c.contact
E. p. order key:
M60.2.B1.80.01.10.2

2 x n.o. contact / n.c.contact
E. p. order key:
M60.2.A2.B4.60.200.01.10.2



1 x n.o. contact / n.c.contact
E. p. order key:
M60.2.B4.200.01.10.2.700

1x Temperature switch

[Back to product group](#)

Technical Data:

Connection:	plug-type connector 3-pole + PE, DIN EN 175301-803 (DIN 43650), material PA
Mounting:	thread 1", material stainless steel,
Mounting position:	vertical ±10°
Sliding tube:	ø8mm, material stainless steel, material and length according to customer specification
Float:	ø27x31mm, material stainless steel, type S12
Reed contact:	max. 2x Reed contacts n.o. contact or n.c. contact, function bistable
Switching voltage:	230VAD to one switching point; to two switching point 24VDC
Switching current:	1A to one switching point; to two switching point 150mA
Temperature switch:	optional, performance data see page 16
Temperature sensor:	optional, performance data see page 16
Pressure:	max. 1 bar
Application temperature:	-15 to 90°C in medium, -15°C to 70°C above mounting
Protection rating:	IP 65