



APPLICATIONS :

filtering low volume (from 70 to 500 liters) of galvanoplasty electrolytes (Nickel, Zinc, Copper, Chrome, Platinum, Gold...)

- filtering chemicals
- laboratories



MC 15 - 2x20"



MC 15 - 2x10"



MC 15 - 10"



MC 10

Made of injected plastic

High resistance to acids and bases
Max. fluid temperature 80°C (PP)
Max. fluid temperature 110°C (PVDF)

Filtration on cartridges

Wound, spun-bonded or pleated cartridges from 10"/20" Filter gauge from 50 to 1 micron

Magnetic drive pump

Flow rate from 0.4 to 4 m³/h

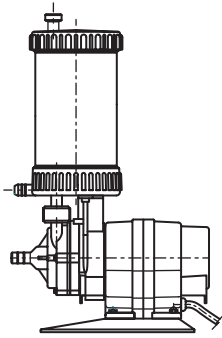
Modular design

Double chamber in-line or parallel versions





MC filter range



MC4 - MC10 filters

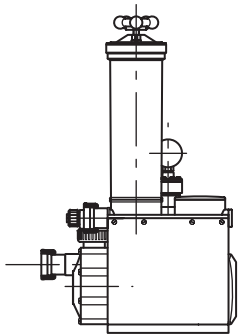
Technical features

- Pump model	M7
- Max. output	from 0.35 m ³ /h to 0.375 m ³ /h
- Filtering element	1 x 4" cartridge for MC4 filter 1 x 10" cartridge for MC10 filter
- Max. fluid temperature	PERSPEX body 70°C PP body 80°C
- Gaskets	EPDM - FPM EPDM - FPM

DIMENSIONS



CURVES



MC15 filter

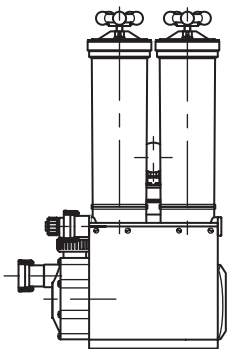
Technical features

- Pump model	M15 - M35
- Max. output	from 1.5 m ³ /h to 2.5 m ³ /h
- Filtering element	1 x 10" cartridge
- Max. fluid temperature	PP body 80°C
- Gaskets	EPDM - FPM

DIMENSIONS



CURVES



MC15 filter parallel

Technical features

- Pump model	M35-M50
- Max. output	from 2.5 m ³ /h to 4 m ³ /h
- Filtering element	2 x 10" or 20" cartridges
- Max. fluid temperature	PP body 80°C
- Gaskets	EPDM - FPM

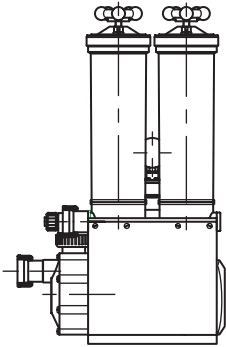
DIMENSIONS



CURVES



MC filter range



MC15 filter serial

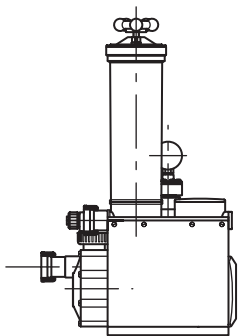
Technical features

- Pump model *M35-M50*
- Max. output *from 1.3 m³/h to 2.5 m³/h*
- Filtering element *2 x 10" or 20" cartridges*
- Max. fluid temperature *PP body 80 °C*
- Gaskets *EPDM - FPM*

DIMENSIONS



CURVES



MC15 filter

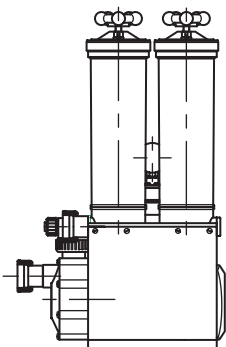
Technical features

- Pump model *M35*
- Max. output *1.5 m³/h*
- Filtering element *1 x 10" cartridge*
- Max. fluid temperature *PVDF body 110 °C*
- Gaskets *FPM*

DIMENSIONS



CURVES



MC15 filter parallel

Technical features

- Pump model *M35-M50*
- Max. output *from 2.5 m³/h to 4 m³/h*
- Filtering element *2 x 10" cartridges*
- Max. fluid temperature *PVDF body 110 °C*
- Gaskets *FPM*

DIMENSIONS

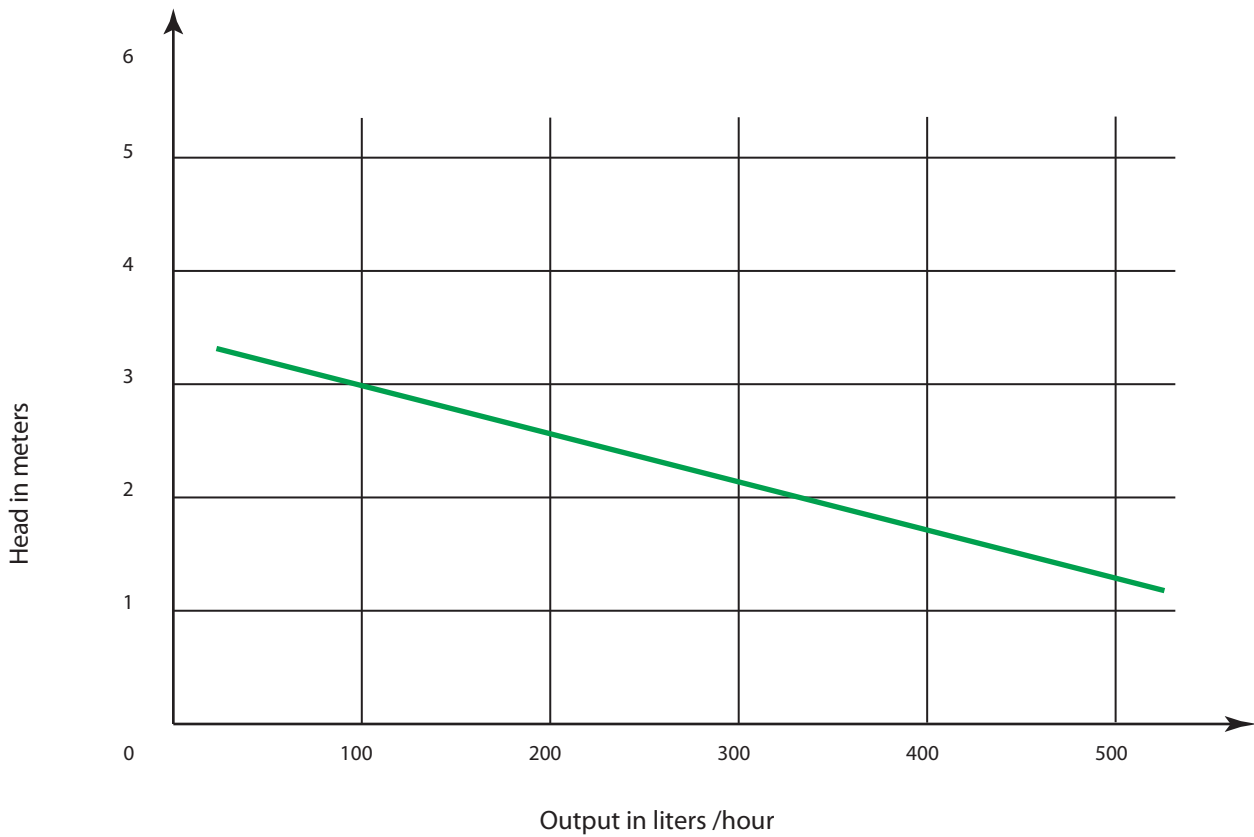


CURVES



MC 4 - MC 10 Filters

- *Manometric head in meters*
- *Output in l/h*

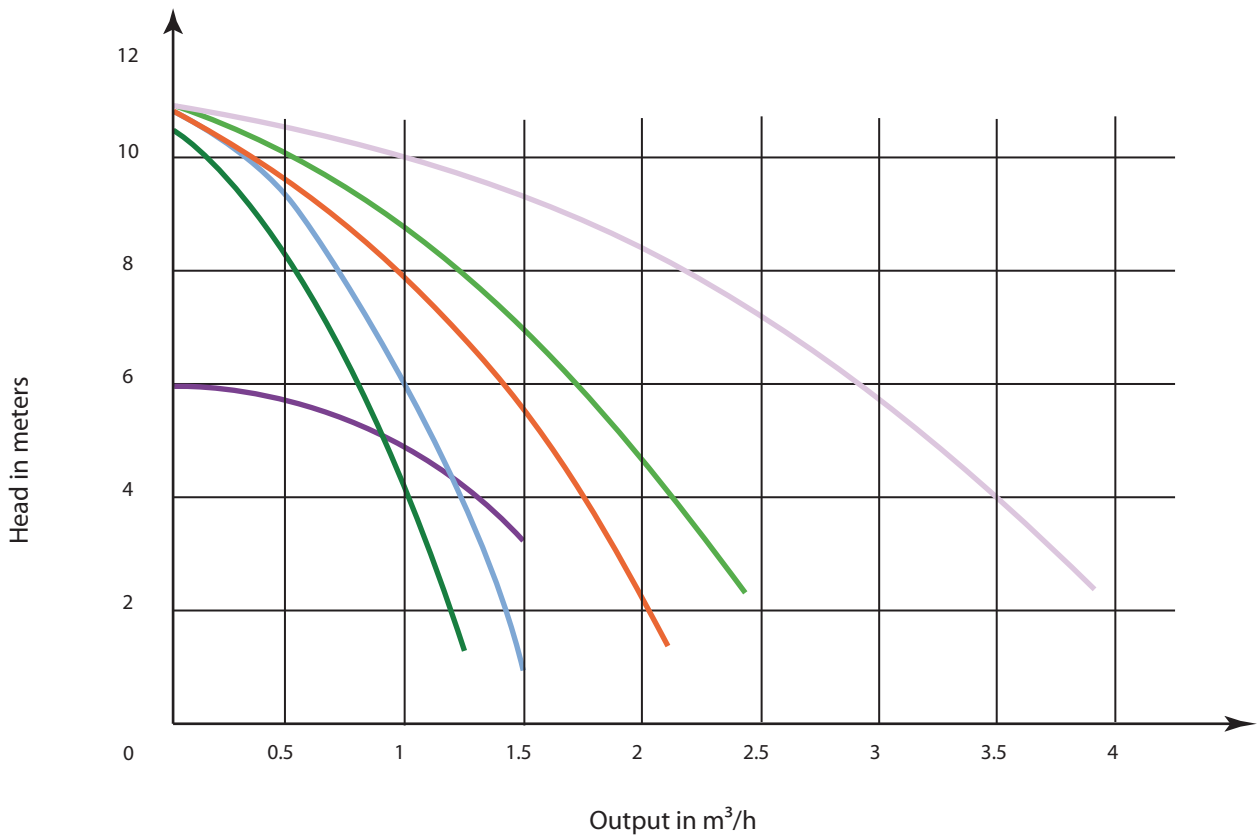




MC15 Filters

- Manometric head in meters

- Output in m³/h



MC15 filter with 1 x 10" cartridge - M15 pump

MC15 filter with 1 x 10" cartridge - M35 pump

MC15 filter with 2 x 10" cartridges in series - M35 pump

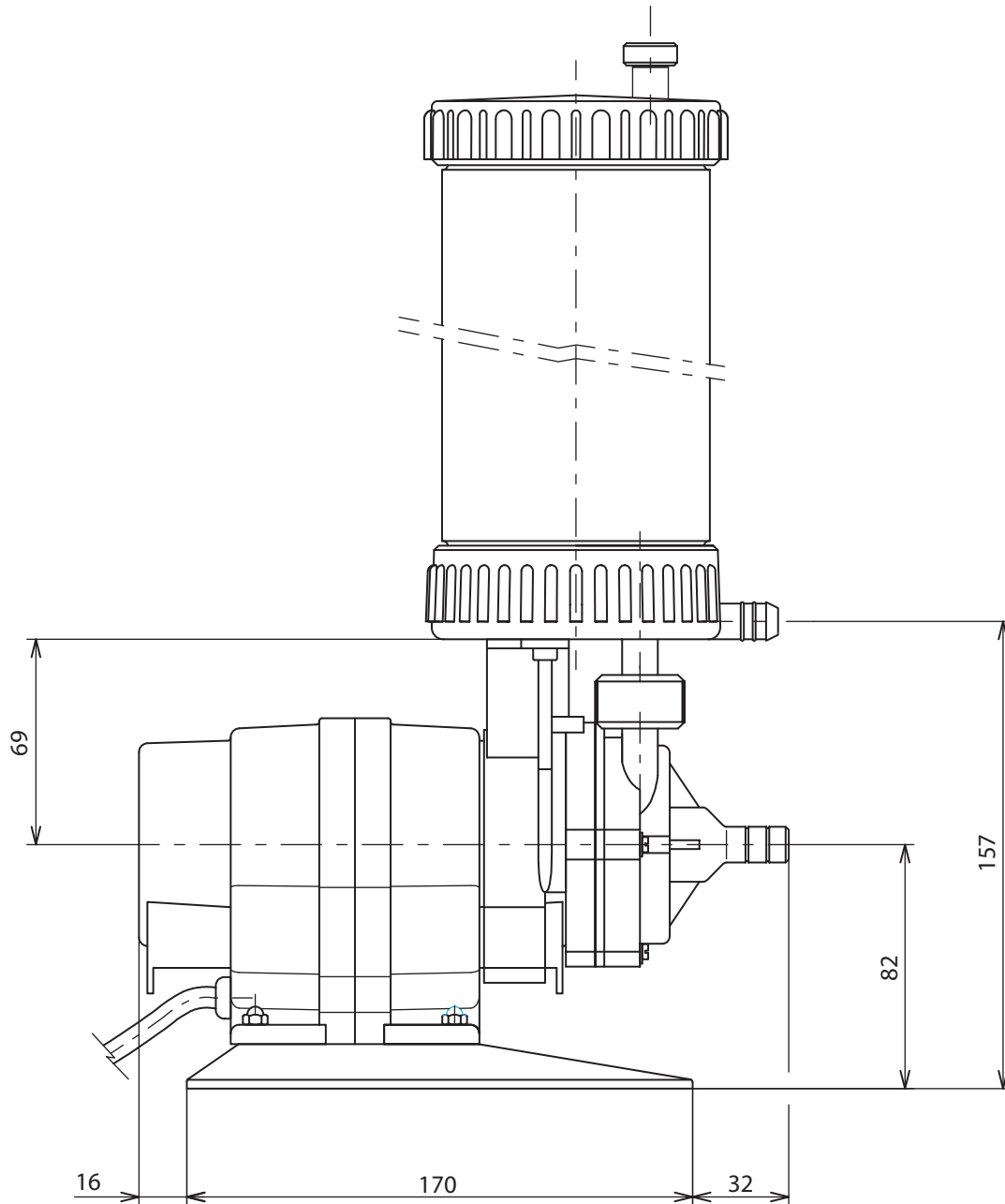
MC15 filter with 2 x 10" cartridges in parallel - M35 pump

MC15 filter with 2 x 20" cartridges in series - M50 pump

MC15 filter with 2 x 20" cartridges in parallel - M50 pump

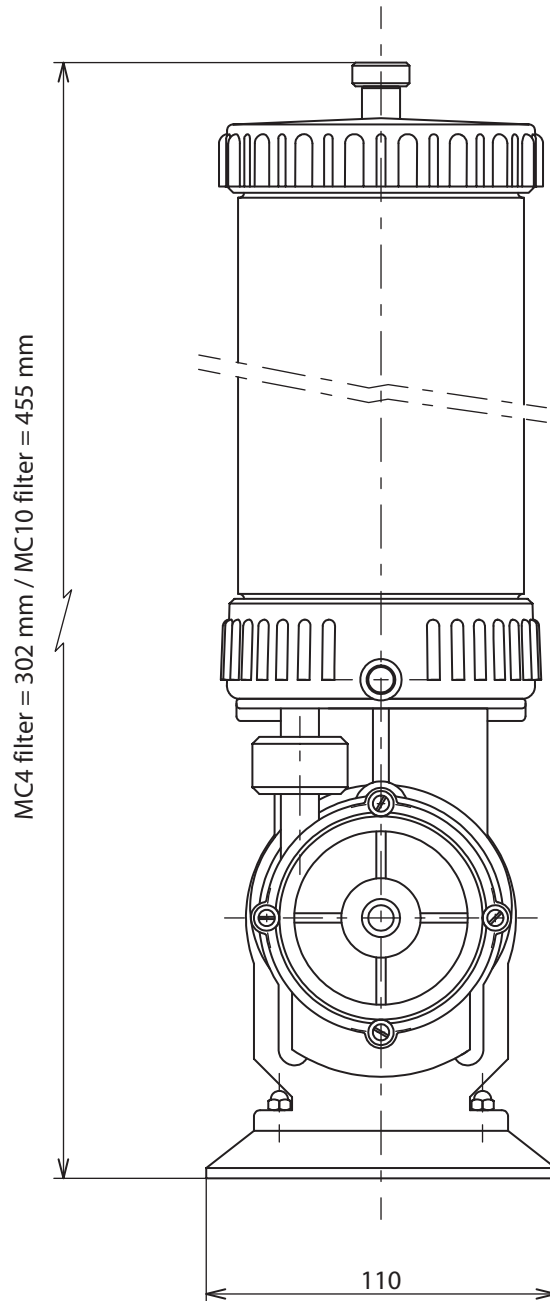


MC4 - MC10 filters



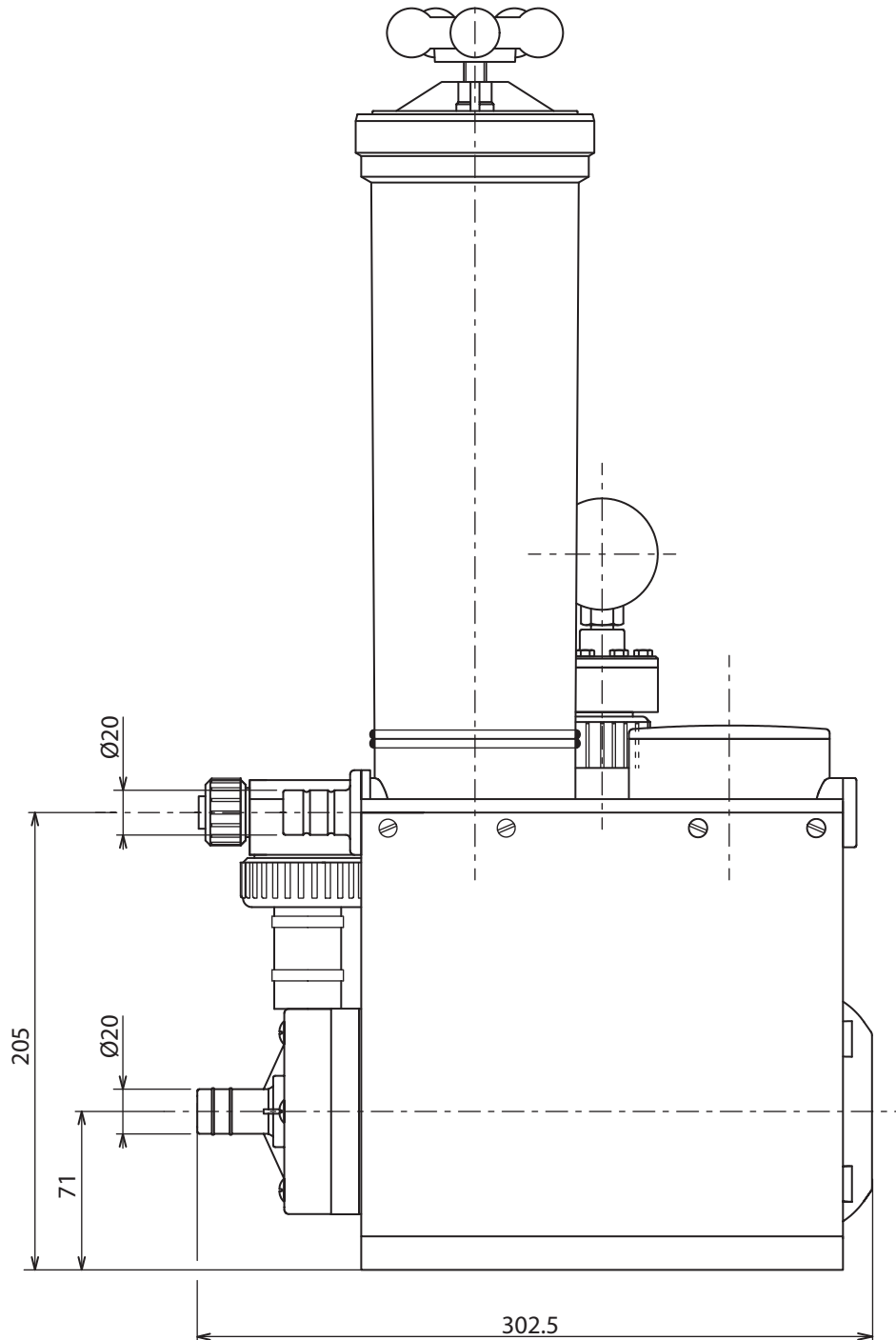


MC4 - MC10 filters



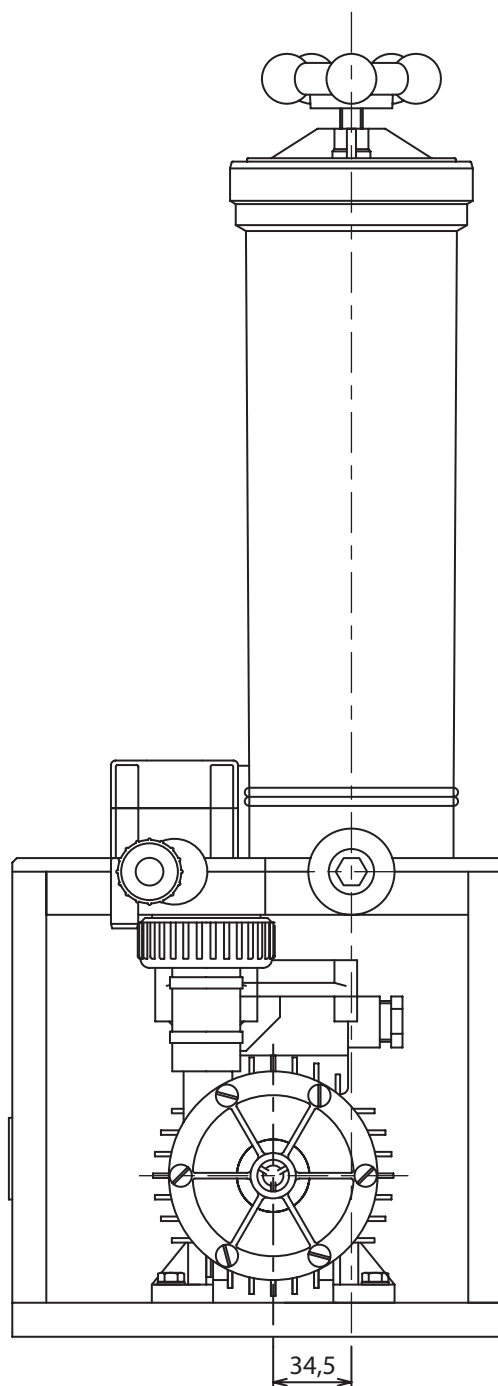


MC15 filter with M15 pump



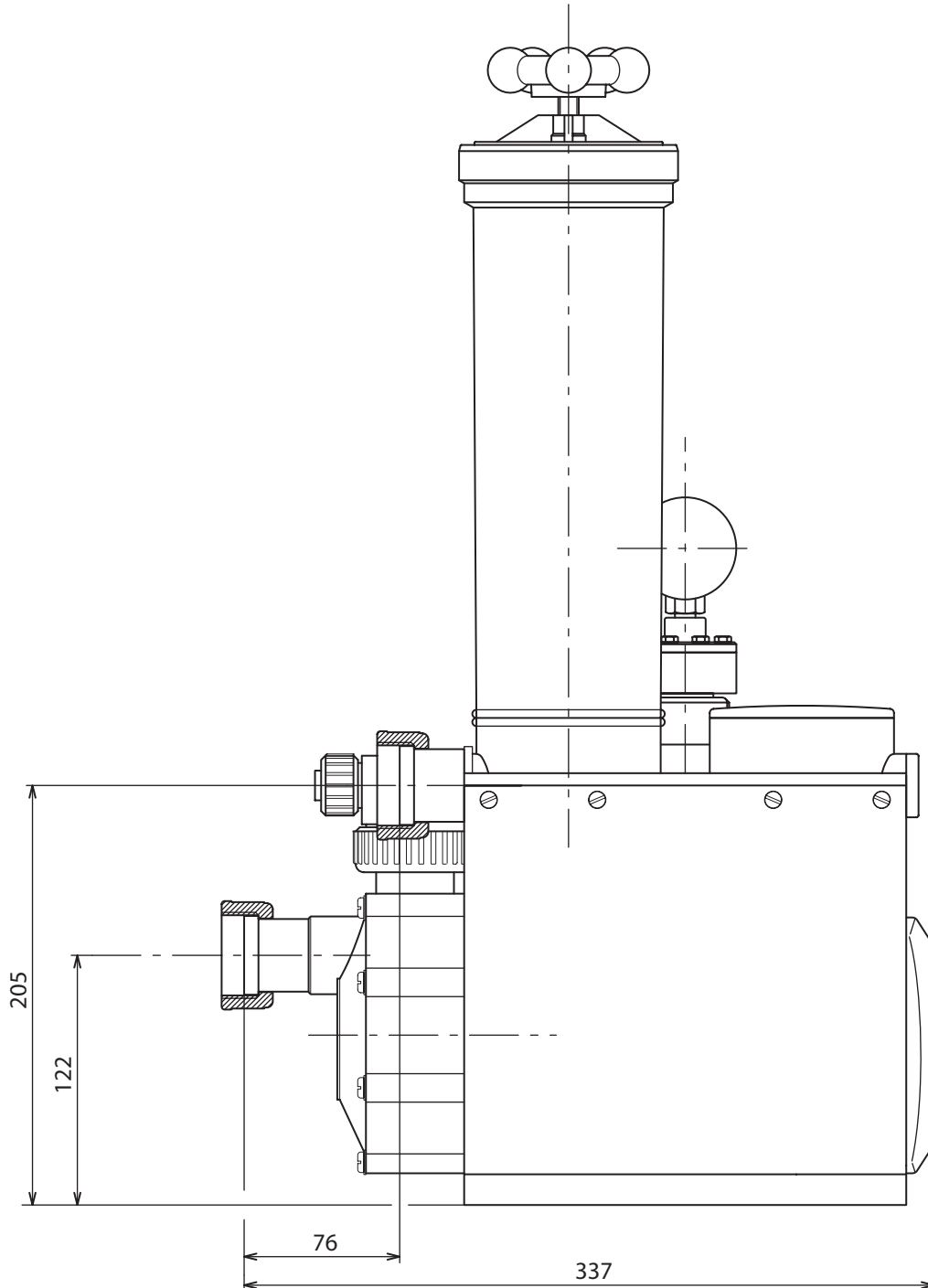


MC15 filter with M15 pump



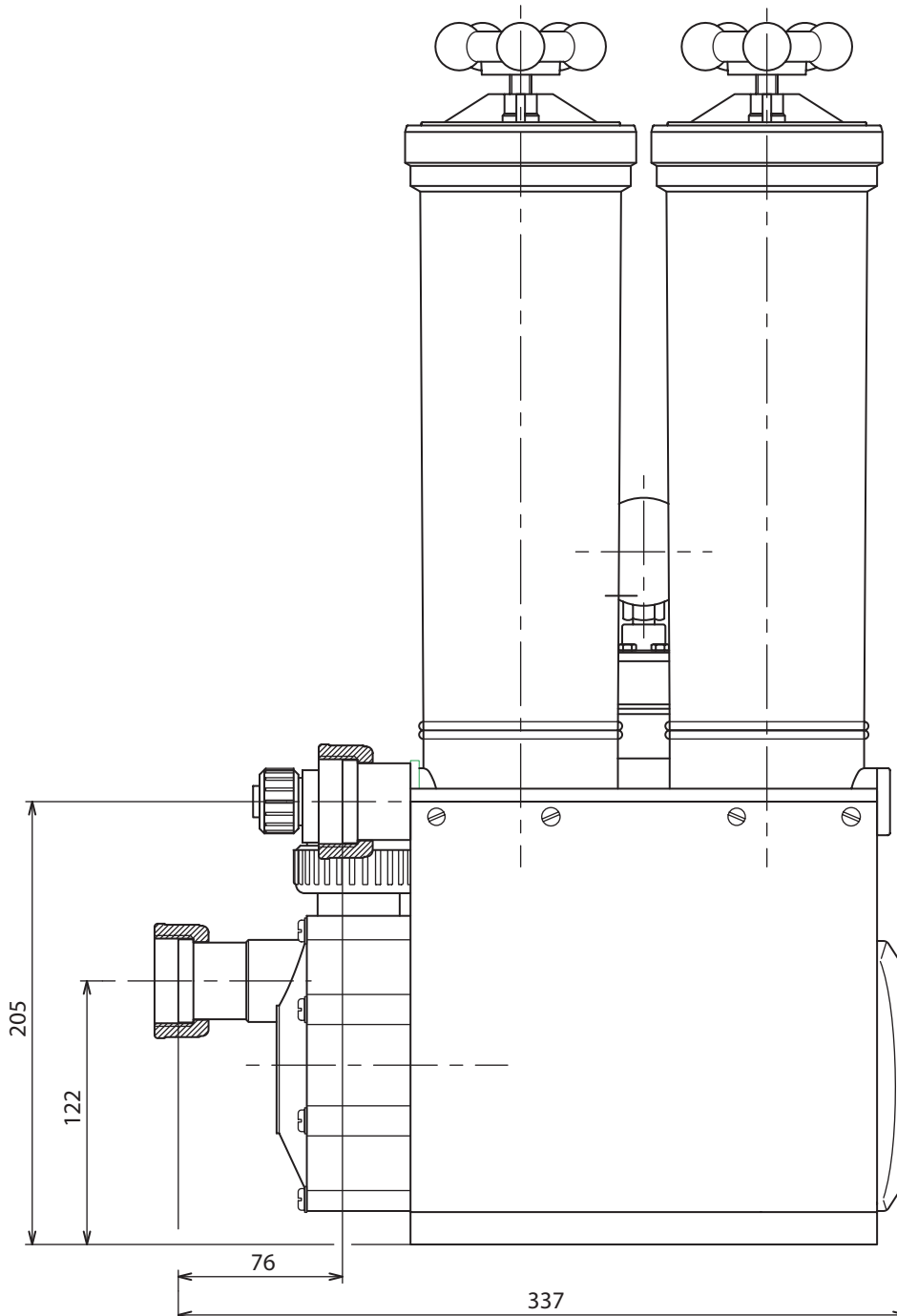


MC15 filter with M35-M50 pump



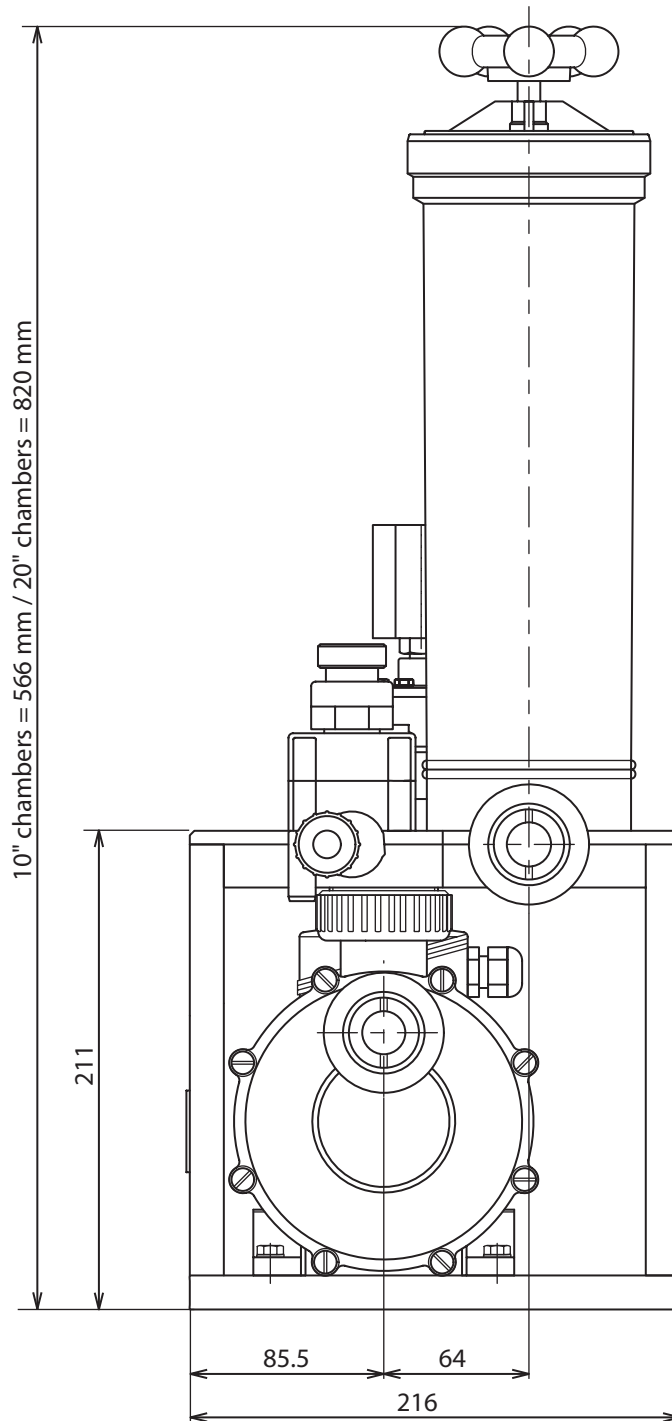


MC15 filter with M35-M50 pump



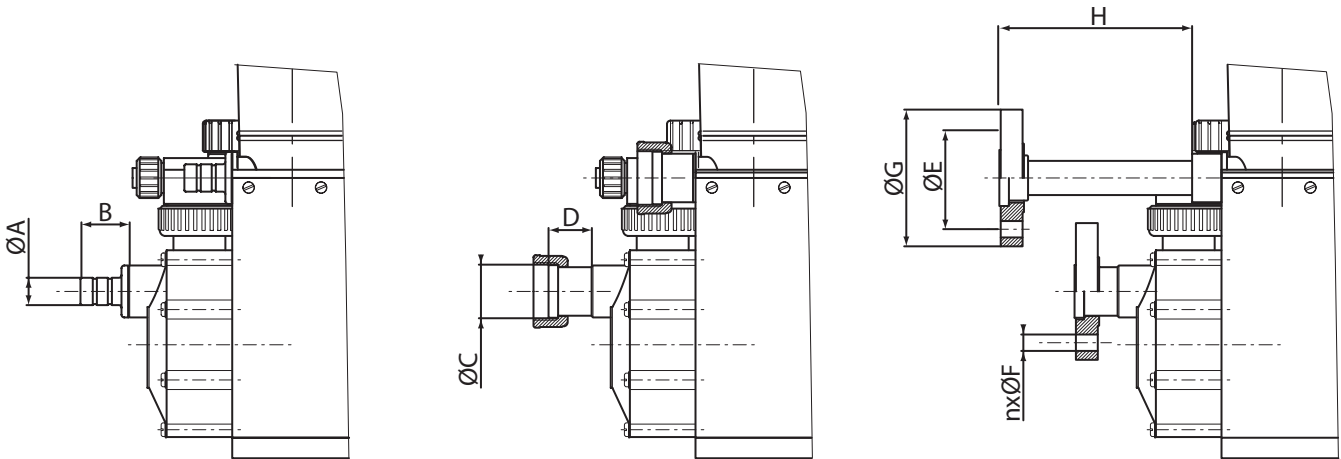


MC15 filter with M35-M50 pump





Connections MC15 filter with M35-M50 pump



Pump		Grooved nozzles ØA - B	Union nuts ØC (DN) - D	Flange fittings ØG - ØE - nxØF - H
M35	<i>inlet</i>	20 - 35	G1"1/4 - DN20 - 31,5	100 - 75 - 4x12 - 31.5
	<i>outlet</i>	20 - 35	G1"1/4 - DN20 - 31,5	100 - 75 - 4x12 - 140
M50	<i>inlet</i>	25 - 35	G1"1/2 - DN25 - 31,5	115 - 85 - 4x14 - 31.5
	<i>outlet</i>	25 - 35	G1"1/2 - DN25 - 31,5	115 - 85 - 4x14 - 140