

**Evolution Power supply 3-phase, primary switched IN: 360-520VAC OUT: 22-28V/5ADC**

Output voltage: 22...28 V DC

Input voltage: 3 x 360...520 V AC / 480...745 V DC

Current: 5 A

**Image**

- stable output voltage, short-circuit and overload protected
- Wide voltage input
- touch protected (EN 60529) IP20

**Approvals****Input**

Input voltage	3 x 360...520 V AC / 480...745 V DC
Input current	3 x 0.3 A
Inrush current after 1 ms	<= 10 A
Primary fusing	3 x 10 A
Frequency	50/60 Hz

**Output**

Output voltage	24 V DC (SELV), $\pm 1\%$ ; 22...28 V adjustable
Nominal output current	5 A (+55 °C); 3 A (+70 °C)
Efficiency	86 %
Mains failure bridging	>= 30 ms (400 V AC)
Ripple	<= 50 mV eff
Spikes	<= 100 mV ss
Protection	Short-circuit and overload protected
LED display	LED (green): OK; LED (red): overload
Parallel usage/serial usage	yes/yes

**General data**

Standards	(EN 60950-1), (EN 61204-3), (EN 55022 B), (EN 61000-3-2)
Temperature range	-25...+60 °C (storage temperature -40...+85 °C)
Relative humidity	5...95 %, no condensation
Mounting method	DIN-rail mountable TH35 (EN 60715)
Dimensions H x W x D	132 x 83 x 98 mm

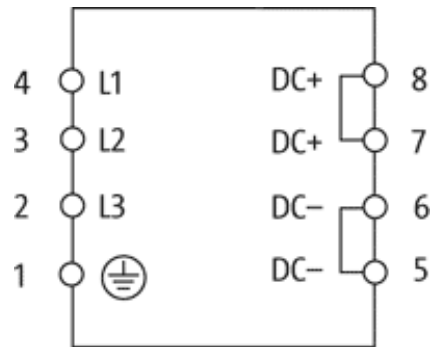
**Commercial data**

Gross weight	1000
Net weight	1000
Weight unit	gram
Basic unit	pc.
Customs tariff number	85044081
Unit (piece)	1
Limited value	1

**Comments**

MCS switch mode power supplies meet the (EN 61000-3-2) standard for harmonic current.

Circuit diagram



Dimension drawing

