

Pressure-Reducing-Valve, springloaded

for steam, gases and liquids

Typ 71

Standard version:

Material: Valve-body / media contact surfaces

Typ 71.2: BG 0 - II 1.4301, 1.4571 / 1.4571

BG III - IV 1.4571 / 1.4571

Connections:

Flange connections: DIN EN / ASME B16.5

Sealings:

FPM, EPDM

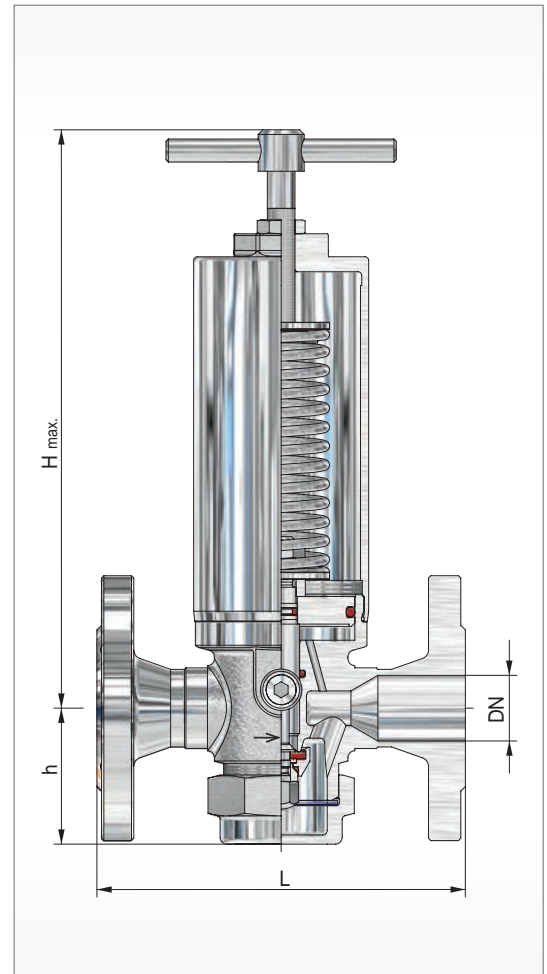
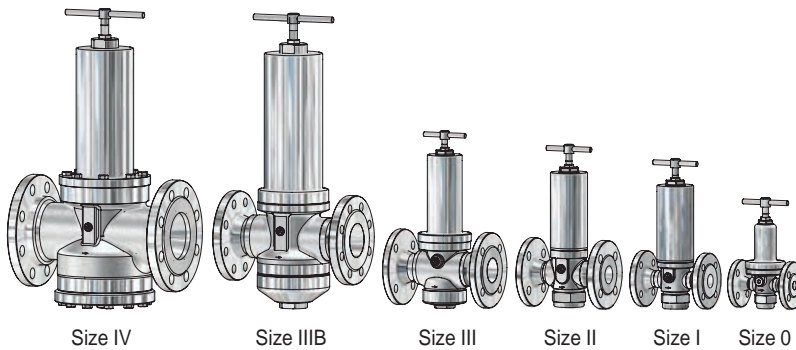
PTFE, EPDM (steam up to 150°C)

PTFE, AF100, EPDM (steam up to 200°C)

Approvals:

Pressure Equipment Directive: 97/23/EG

Declaration of Conformity



Size	Inlet			Outlet			Dimensions				Kvs value [m³/h]
	DN	NPS	Inlet pressure range P1 [bar(g)] max.	DN	NPS	Reduced pressure range P2 min. [bar(g)] max.	Toggle spindle [mm]	Cap [mm]	L [mm]	h [mm]	
0	10	-	63	10	-	0,35 / 17,00	205	180	130	48	2,0
	15	½		15	½						2,2
I	15	½	100	15	½	0,35 / 73,00	275	255	130	58	3,0
	20	¾	63	20	¾				3,2		
	25*	1*	63	25*	1*				3,5		
II	25	1	63	25	1	0,25 / 23,00	305	265	160	68	6,3
	32	1 ¼		32	1 ¼				6,5		
	40*	1 ½*		40*	1 ½*				6,7		
III	40	1 ½	63	40	1 ½	0,25 / 17,00	325	305	200	85	12,5
	50	2	50	2	13,0						
	65*	2 ½*	65*	2 ½*	13,5						
IIIB	50	2	40	50	2	0,25 / 12,00	545	495	300	145	27,5
	65	2 ½		65	2 ½				28,0		
	80	3		80	3				28,5		
IV	65	2 ½	40	65	2 ½	0,20 / 12,00	550	505	290	157	48,0
	80	3		80	3				50,0		
	100	4		100	4				53,0		

other design on request

* special size



Pressure-Reducing-Valve, springloaded

for steam, gases and liquids

Typ 71

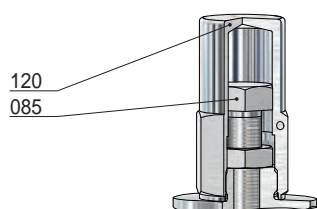
Spring ranges for reduced pressure P2

Piston plate [mm]	Ø 139	Ø 119	Ø 99	Ø 84	Ø 64	Ø 48	Ø 38	Ø 27
Size	Spring no.	[bar(g)]						
0	98				0,35 - 0,50			
	99				0,60 - 0,80			
	100				0,90 - 1,20			
	101				1,30 - 1,80	2,40 - 3,00	4,10 - 5,00	6,60 - 10,00
	102				1,90 - 2,30	3,10 - 4,00	5,10 - 6,50	10,10 - 12,00
	103							12,10 - 17,00
I	303				0,35 - 0,69			
	304				0,70 - 1,20			
	305				1,30 - 2,00			
	306				2,10 - 3,00	4,60 - 5,00	8,10 - 8,50	12,10 - 17,00
	307				3,10 - 4,50	5,10 - 8,00	8,60 - 12,00	17,10 - 25,00
	308							25,10 - 30,00
	309							30,10 - 38,00
	310							38,10 - 53,00
	311							53,10 - 73,00
	II	303			0,25 - 0,35			
304				0,36 - 0,65				
305				0,66 - 1,00				
306				1,10 - 1,50	2,10 - 2,80	4,10 - 5,00	7,10 - 8,00	
307				1,60 - 2,00	2,90 - 4,00	5,10 - 7,00	8,10 - 11,00	
308							11,10 - 14,00	
309							14,10 - 17,00	
310							17,10 - 23,00	
III	323		0,25 - 0,35					
	324		0,36 - 0,60					
	325		0,61 - 1,00	1,10 - 1,40				
	326			1,50 - 2,00	2,60 - 3,50	4,10 - 6,50		
	327			2,10 - 2,50	3,60 - 4,00	6,60 - 7,50		
	328					7,60 - 8,50		
	329					8,60 - 12,00		
	330					12,10 - 17,00		
	IIIB	353	0,25 - 0,45					
354		0,46 - 0,75						
355		0,76 - 1,00						
356		1,10 - 1,60	1,70 - 2,40					
357			2,50 - 4,00	4,10 - 5,50				
358				5,60 - 7,50				
359				7,60 - 9,00				
360				9,10 - 12,00				
IV	353	0,20 - 0,34						
	354	0,35 - 0,55						
	355	0,56 - 0,80						
	356	0,90 - 1,20	2,10 - 2,40					
	357	1,30 - 2,00	2,50 - 4,00	4,10 - 5,50				
	358			5,60 - 7,50				
	359			7,60 - 9,00				
	360			9,10 - 12,00				

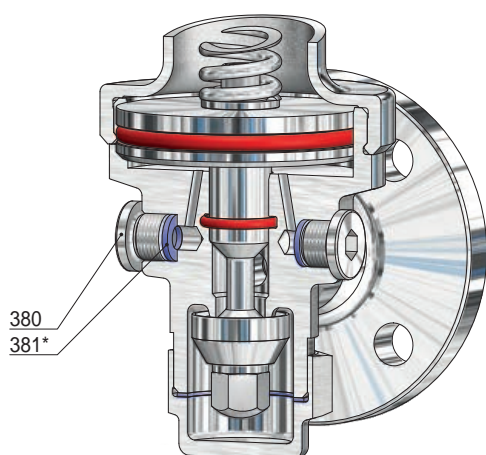
Pressure-Reducing-Valve, springloaded

for steam, gases and liquids

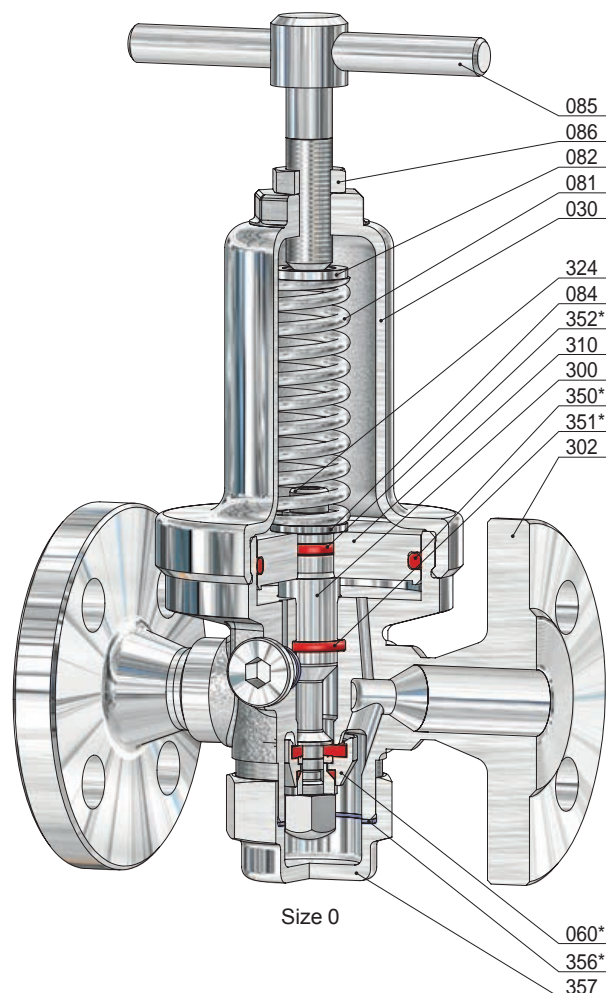
Typ 71



Cap
(Option: AC)



Manometer connection G ¼



Size 0

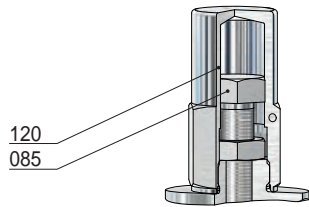
Item	Piece	Description	Item	Piece	Description
302	1	valve body	086	1	lock nut
030	1	spring bonnet	120	1	cap
060 *	1	disc, complete	300	1	piston
560	1	disc	310	1	piston plate
061	1	pressure piece	324	1	screw
062	1	soft sealing	350 *	1	o-ring
065	1	disc bolt	351 *	1	o-ring
071	1	o-ring	352 *	1	o-ring
072	1	locking ring	356 *	1	sealing ring
073	1	o-ring <i>(only for thermoplastics soft sealing)</i>	357	1	bottom plug
081	1	spring	380	2	screw plug
082	1	springplate, upper	381 *	2	sealing ring
084	1	springplate, lower			
085	1	adjusting screw			

* expendable parts

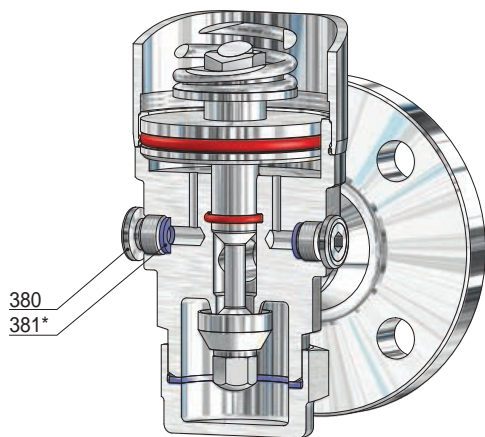
Pressure-Reducing-Valve, springloaded

for steam, gases and liquids

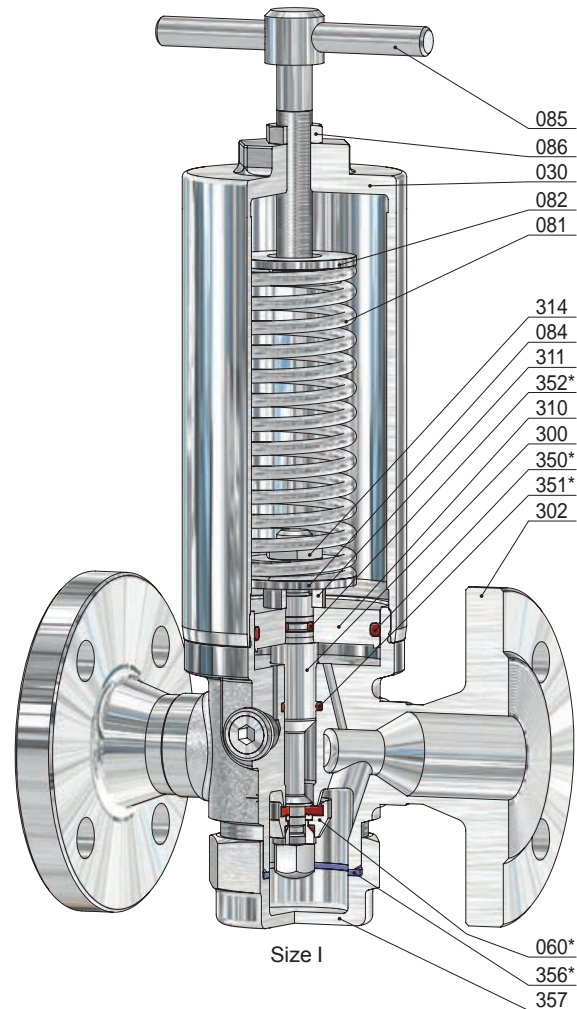
Typ 71



Cap
(Option: AC)



Manometer connection G ¼



Size I

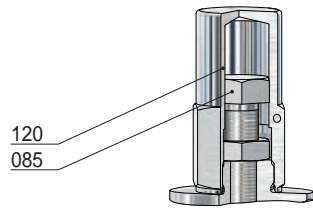
Item	Piece	Description	Item	Piece	Description
302	1	valve body	086	1	lock nut
030	1	spring bonnet	120	1	cap
060 *	1	disc, complete	300	1	piston
560	1	disc	310	1	piston plate
061	1	pressure piece	311	1	distance bush
062	1	soft sealing	314	1	lock nut
065	1	disc bolt	350 *	1	o-ring
071	1	o-ring	351 *	1	o-ring
072	1	locking ring	352 *	1	o-ring
073	1	o-ring <i>(only for thermoplastics soft sealing)</i>	356 *	1	sealing ring
081	1	spring	357	1	bottom plug
082	1	springplate, upper	380	2	screw plug
084	1	springplate, lower	381 *	2	sealing ring
085	1	adjusting screw			

* expendable parts

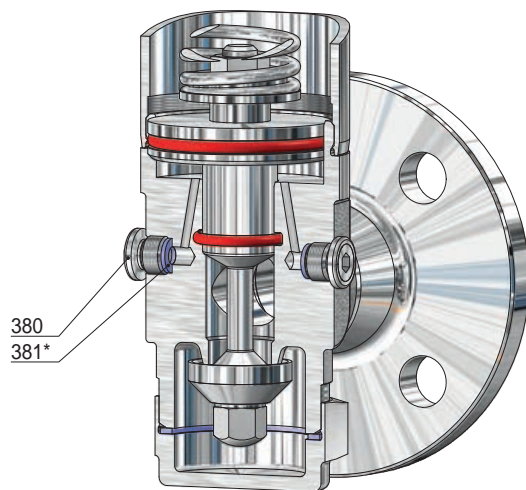
Pressure-Reducing-Valve, springloaded

for steam, gases and liquids

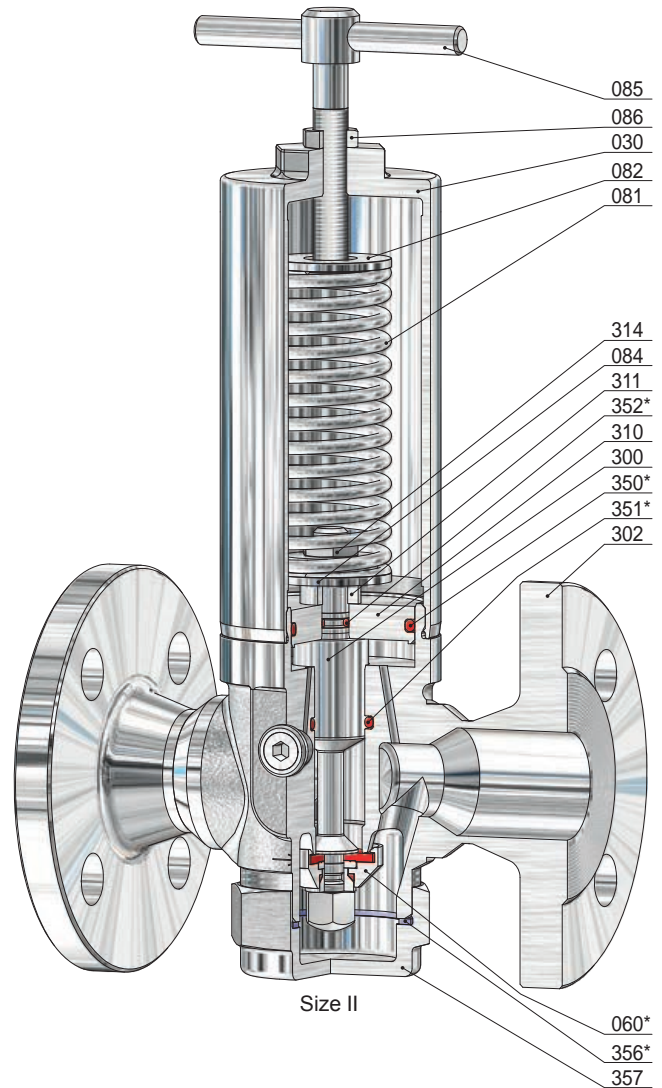
Typ 71



Cap
(Option: AC)



Manometer connection G 1/4



Size II

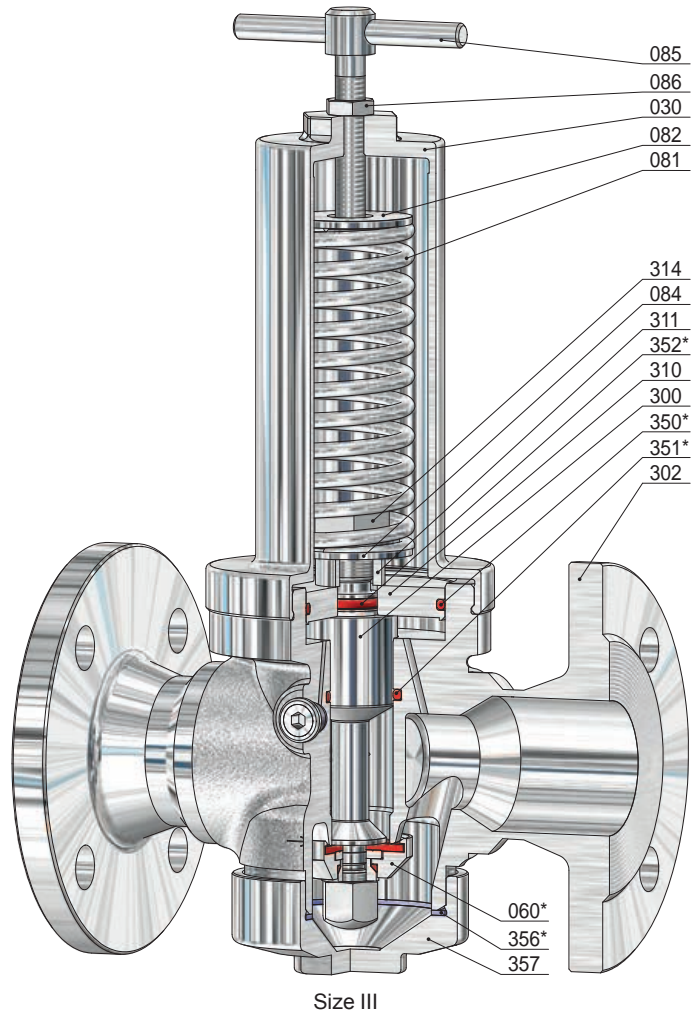
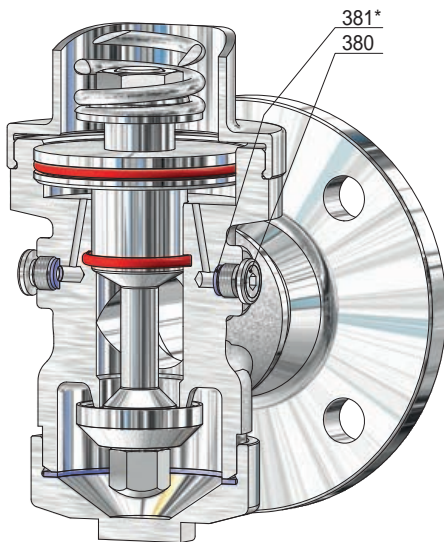
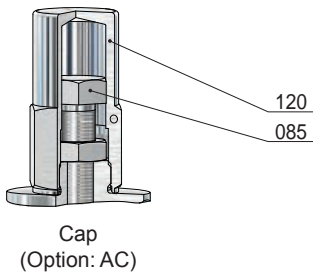
Item	Piece	Description	Item	Piece	Description
302	1	valve body	086	1	lock nut
030	1	spring bonnet	120	1	cap
060 *	1	disc, complete	300	1	piston
560	1	disc	310	1	piston plate
061	1	pressure piece	311	1	distance bush
062	1	soft sealing	314	1	lock nut
065	1	disc bolt	350 *	1	o-ring
071	1	o-ring	351 *	1	o-ring
072	1	locking ring	352 *	1	o-ring
073	1	o-ring <i>(only for thermoplastics soft sealing)</i>	356 *	1	sealing ring
081	1	spring	357	1	bottom plug
082	1	springplate, upper	380	2	screw plug
084	1	springplate, lower	381 *	2	sealing ring
085	1	adjusting screw			

* expendable parts

Pressure-Reducing-Valve, springloaded

for steam, gases and liquids

Typ 71



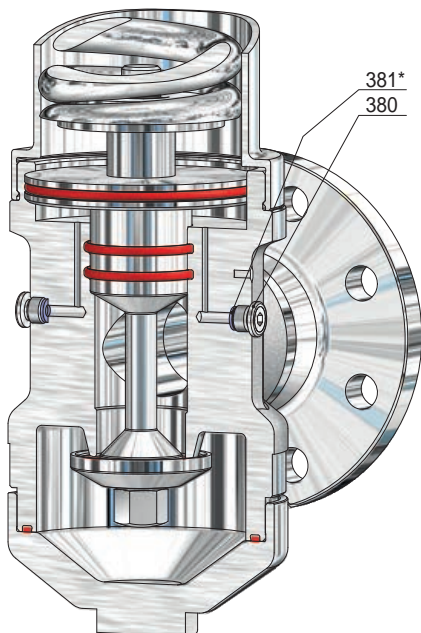
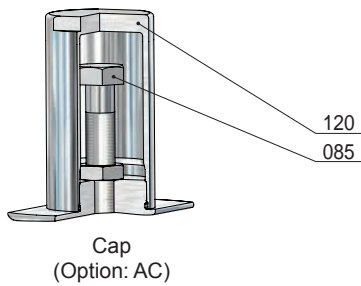
Item	Piece	Description	Item	Piece	Description
302	1	valve body	086	1	lock nut
030	1	spring bonnet	120	1	cap
060 *	1	disc, complete	300	1	piston
560	1	disc	310	1	piston plate
061	1	pressure piece	311	1	distance bush
062	1	soft sealing	314	1	lock nut
065	1	disc bolt	350 *	1	o-ring
071	1	o-ring	351 *	1	o-ring
072	1	locking ring	352 *	1	o-ring
073	1	o-ring <i>(only for thermoplastics soft sealing)</i>	356 *	1	sealing ring
081	1	spring	357	1	bottom plug
082	1	springplate, upper	380	2	screw plug
084	1	springplate, lower	381 *	2	sealing ring
085	1	adjusting screw			

* expendable parts

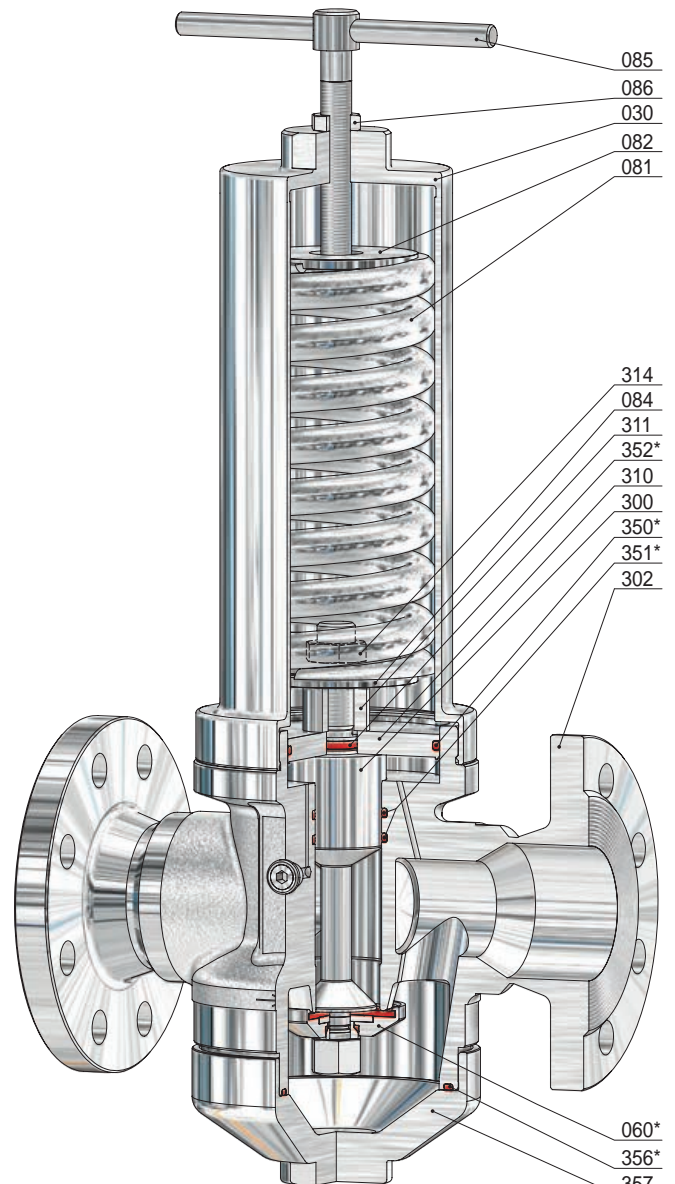
Pressure-Reducing-Valve, springloaded

for steam, gases and liquids

Typ 71



Manometer connection G 1/4



Size III B

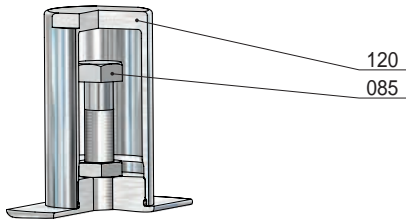
Item	Piece	Description	Item	Piece	Description
302	1	valve body	086	1	lock nut
030	1	spring bonnet	120	1	cap
060 *	1	disc, complete	300	1	piston
560	1	disc	310	1	piston plate
061	1	pressure piece	311	1	distance bush
062	1	soft sealing	314	1	lock nut
065	1	disc bolt	350 *	1	o-ring
071	1	o-ring	351 *	2	o-ring
072	1	locking ring	352 *	1	o-ring
073	1	o-ring <i>(only for thermoplastics soft sealing)</i>	356 *	1	sealing ring
081	1	spring	357	1	bottom plug
082	1	springplate, upper	380	2	screw plug
084	1	springplate, lower	381 *	2	sealing ring
085	1	adjusting screw			

* expendable parts

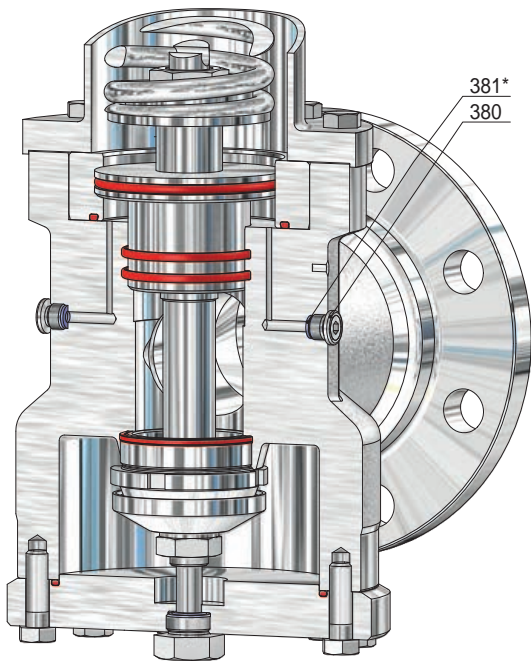
Pressure-Reducing-Valve, springloaded

for steam, gases and liquids

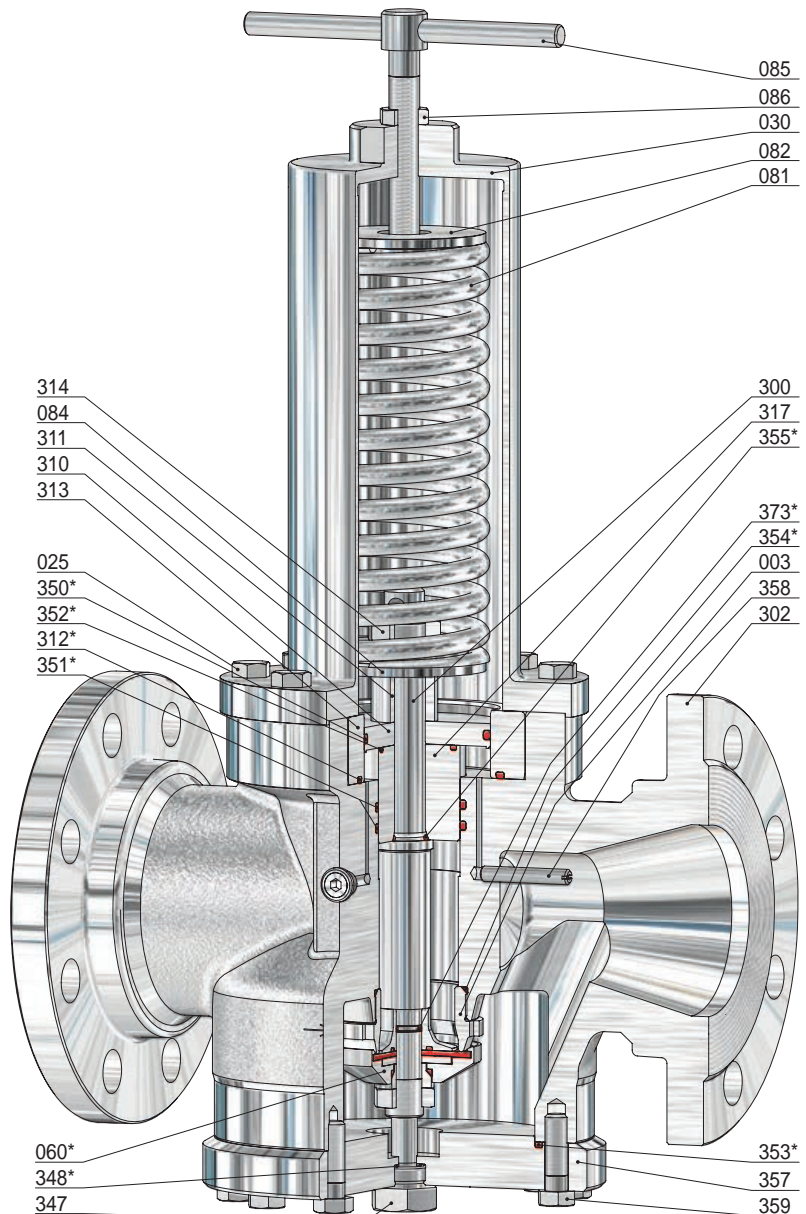
Typ 71



Cap
(Option: AC)



Manometer connection G 1/4



Size IV

Item	Piece	Description	Item	Piece	Description	Item	Piece	Description
302	1	valve body	082	1	springplate, upper	350 *	1	o-ring
003	1	seat	084	1	springplate, lower	351 *	2	o-ring
025	8	screw	085	1	adjusting screw	352 *	1	o-ring
030	1	spring bonnet	086	1	lock nut	353 *	1	o-ring
060 *	1	disc, complete	120	1	cap	354 *	1	o-ring
560	1	disc	300	1	piston	355 *	1	o-ring
061	1	pressure piece	310	1	piston plate	357	1	bottom plug
062	1	soft sealing	311	1	distance bush	358	1	suction tube
065	1	disc bolt	312 *	1	o-ring	359	12	screw
071	1	o-ring	313	1	piston plate ring	373 *	1	o-ring
072	1	locking ring	314	2	lock nut	380	2	screw plug
073	1	o-ring	317	1	piston guide	381 *	2	sealing ring
074	1	disc plate	347	1	screw			
081	1	spring	348 *	1	o-ring			

* expendable parts

