

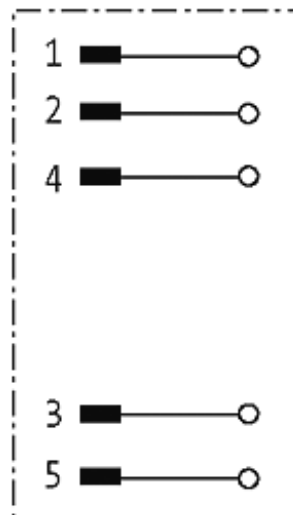
**M12 MALE 0° WIREABLE SCREW TERM.**5-pol. max.0,75mm<sup>2</sup> 4-6mm

Male straight

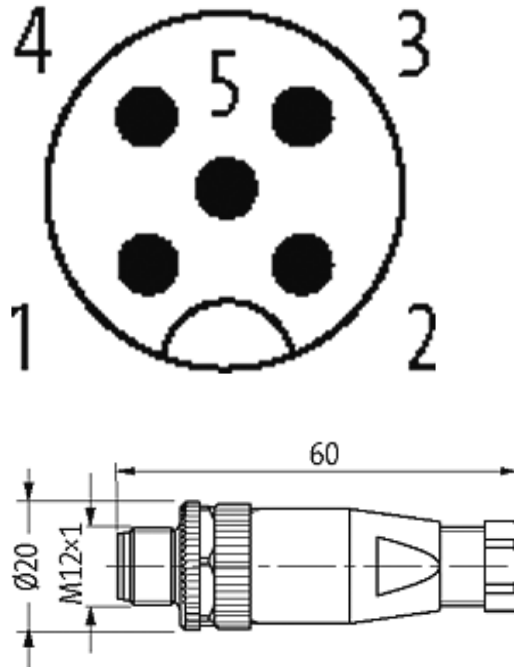
5-pole

Sealing range (cable Ø): 4...6 mm

Plastic housings with good resistance against chemicals and oils. The resistance to aggressive media should be individually tested for your application. Further details on request.

[Link to Product](#)**Illustration**

# Male



Product may differ from Image

## Approvals



## Form

Form 12721

## Technical Data

Operating voltage	max. 125 V AC/DC
Operating current per contact	max. 4 A
Connection cross section	max. 0.75 mm <sup>2</sup>
Sealing range (cable Ø)	4...6 mm
Locking of ports	Screw thread M12 × 1 mm (recommended torque 0.6 Nm) self-securing
Protection	IP67 inserted and tightened (EN 60529)

## General data

Temperature range	-25...+85 °C
Dimensions H × W × D	60×20×20 mm

## Commercial data

country of origin DE

---

customs tariff number	85369010
minimum order quantity	1

---