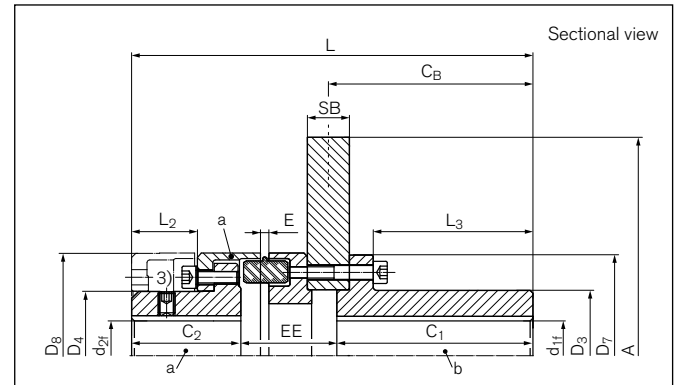


TSCHAN® Elastomer Jaw Couplings Type Nor-Mex® GHBS

With brake disc in steel, multi-part design, to change the intermediate ring and the brake disc without axial movement of the driven parts



Dimensions / Technical data

- | | | |
|--|---|---|
| D₈ = Outer diameter | d_{1f max} = Max. bore diameter d _{1f} with keyway or other form closure connection | L = Total length |
| A = Max. outer diameter | d_{2f max} = Max. bore diameter d _{2f} with keyway or other form closure connection | L₂ = Length of the hub |
| SB = Disc width | C_B = Brake disc distance | L₃ = Section length of hub |
| T_{KNPb72} = Coupling nominal torque using element Pb72 | D₃ = Outer diameter hub | E = Gap width between left and right component |
| T_{KNPb82} = Coupling nominal torque using element Pb82 | D₄ = Outer diameter hub | F_E = Tolerance of the gap width E |
| T_{BR} = Brake torque | D₇ = Outer diameter hub | EE = Distance of the hubs |
| n_{max} = Max. rotation speed | C₁ = Guided length in hub boring | G_{wa} = Weight of subassembly a |
| | C₂ = Guided length in hub boring d ₂ | G_{wub} = Weight, unbored |

Size D ₈	A	SB	Identifier	T _{KNPb72} ²⁾	T _{KNPb82} ²⁾	T _{BR} ⁴⁾	n _{max}	d _{1f max}	d _{2f max}	C _B	D ₃
mm	mm	mm		Nm	Nm	Nm	1/min	mm	mm	mm	mm
148	315	30	WN1514-315	390	600	1000	4500	65	65	131	94
168	355	30	WN1516-355	630	980	1600	4000	80	75	131	115
168	400	30	WN1516-400	630	980	1600	4000	80	75	131	115
168	450	30	WN1516-450	630	980	1600	3750	80	75	131	115
194	400	30	WN1519-400	1050	1650	2750	3500	95	85	131	135
194	560	30	WN1519-560	1050	1650	2750	3000	95	85	131	135
240	450	30	WN1524-450	2400	3700	4200	2750	120	100	131	165
240	560	30	WN1524-560	2400	3700	4200	2750	120	100	131	165
240	630	30	WN1524-630	2400	3700	4200	2750	120	100	131	165
265	500	30	WN1526-500	3700	5800	8700	2500	135	120	131	195
265	560	30	WN1526-560	3700	5800	8700	2500	135	120	131	195
265	710	30	WN1526-710	3700	5800	8700	2400	135	120	131	195
295	630	30	WN1529-630	4900	7550	9800	2250	153	130	131	215
295	710	30	WN1529-710	4900	7550	9800	2250	153	130	131	215

To continue see next page

TSCHAN® Elastomer Jaw Couplings

Type Nor-Mex® GHBS

Identifier	D ₄	D ₇	C ₁	C ₂	L	L ₂	L ₃	E	F _E	EE	Gwa ¹⁾	Gw _{ub}
	mm	mm	mm	mm	mm	mm	mm	mm	mm	mm	kg	kg
WN1514-315	92,5	145	140	78	286,5	47,0	119,0	6,0	+/- 1,0	68,5	6,7	34
WN1516-355	104,5	168	140	87	304,5	52,5	116,0	6,0	+/- 1,5	77,5	9,7	46
WN1516-400	104,5	168	140	87	304,5	52,5	116,0	6,0	+/- 1,5	77,5	9,7	52
WN1516-450	104,5	168	140	87	304,5	52,5	116,0	6,0	+/- 1,5	77,5	9,7	60
WN1519-400	121,5	194	140	97	321,5	60,0	112,0	6,0	+/- 1,5	84,5	14,6	63
WN1519-560	121,5	194	140	97	321,5	60,0	112,0	6,0	+/- 1,5	84,5	14,6	91
WN1524-450	146,0	225	140	117	354,0	75,5	109,5	6,5	+/- 2,0	97,0	25,7	92
WN1524-560	146,0	225	140	117	354,0	75,5	109,5	6,5	+/- 2,0	97,0	25,7	113
WN1524-630	146,0	225	140	117	354,0	75,5	109,5	6,5	+/- 2,0	97,0	25,7	128
WN1526-500	164,0	265	140	137	381,5	88,0	107,0	7,0	+/- 2,0	104,5	37,8	125
WN1526-560	164,0	265	140	137	381,5	88,0	107,0	7,0	+/- 2,0	104,5	37,8	137
WN1526-710	164,0	265	140	137	381,5	88,0	107,0	7,0	+/- 2,0	104,5	37,8	172
WN1529-630	181,0	295	140	147	396,5	96,0	106,0	8,0	+/- 2,0	109,5	49,3	175
WN1529-710	181,0	295	140	147	396,5	96,0	106,0	8,0	+/- 2,0	109,5	49,3	194

1) Weight inclusive the half share of the intermediate ring

2) Attention on peak load - take into account maximum torque notified in the Nor-Mex® catalogue - data overview page 11

3) Set screw on demand

4) Choose brake disc assembly in a way, that brake torque does not affect intermediate ring

Ordering example: Nor-Mex® GHBS

Identifier	Pb	d _{1f}	d _{2f}	Further details*)
WN1519-560	72	80	62	*

*) Without any other specification, we deliver as a standard: with set screws and keyway acc. to DIN 6885-1, keyway side fit P9, bore tolerance H7