

Operating and Installation Instructions

E-Series E 08 - E 50



Air-Operated Diaphragm Pumps made of Plastic

ought to be studied before installing the pump

Original Instruction



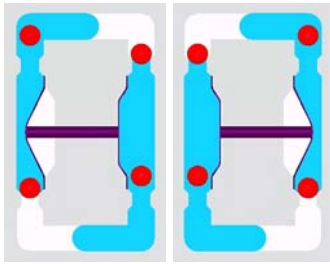
CONTENTS	Page
Introduction	3
General description of the machine, appropriate use and residual dangers	3
Storage	3
Codesystem	3
Operation in explosion proof areas	4
Technical data	5
Performance charts	5
Recommended installation	8
Product ports	8
Installation, operation and maintenance	8
Torque values	9
Safety hints	10
Using as submersible pump	11
Additional temperature hints	11
Providing spare parts	11
Disassembly	12
Assembly	13
Trouble shooting	14
Spare part lists	
Code EEE – ETZ	16
Code TEE – TTZ	17
Code FEE – FTZ	18
Code UEE – UTZ	19
Exploded views	
E 08 / E 10	20
E 15 / E 25 / E 40 / E 50	21
Optional equipment	
Stroke counting	22
Diaphragm monitoring	24
Flange connections	24
Draining system	25
More optional equipment	26
Dimensions drawing	27
Pulsation damper ET/ET-F	28

Introduction

ALMATEC air-operated diaphragm pumps are constructed according to the state of the art and they are reliable. Imminent danger by operating error or misuse can lead to damages of properties and/or persons. The pumps are to be applied for the intended use and in a safety-related proper condition only.

Each person working on the ALMATEC air-operated diaphragm pumps concerning installation, start-up, handling or maintenance has to read this manual completely and in an attentive way and has to follow all mentioned procedures and safety notes.

General description of the machine, appropriate use and residual dangers



The ALMATEC E-Series pumps are oscillating positive displacement pumps and are based on the functional principle of double diaphragm pumps. The basic configuration consists of two external side housings with a center housing between them. Each of the side housings contains a product chamber which is sealed against the center housing by a diaphragm. The two diaphragms are interconnected by a piston rod. Directed by an air control system, the diaphragms are alternately loaded with compressed air so that they move back and forth. In the first figure, the compressed air has forced the left-hand diaphragm towards the product chamber and displaced the liquid from that chamber through the open valve at the top to the discharge port. Liquid is simultaneously drawn in by the right-hand diaphragm, thus refilling the second product chamber. When the end of the stroke is reached, it reverses automatically and the cycle is repeated in the opposite direction. In the second figure, liquid is drawn in by the left-hand diaphragm and displaced by the right-hand diaphragm.

The appropriate use of an Almatec air-operated diaphragm pump of the E-Series refers to the liquid transport taking into account the operation parameter mentioned in this manual and in compliance of the given terms for commissioning, operation, assembly, disassembly and maintenance.

Even if all necessary safety measures described in this manual have been met, a residual danger exists by leakages or mechanical damages. At sealing areas or connections liquid can be released uncontrollably then.

Storage

In general the ALMATEC pump is delivered operational and packaged. If the unit is not installed right away, proper storage conditions are important for a trouble free operation later. The pump has to be protected from wetness, coldness, dirtying, UV-radiation and mechanical influences. The following storage conditions are recommended:

- Steady ventilated, dust and vibration free storage room
- Ambient temperature between 15°C and 25°C with a relative humidity below 65%
- Prevention of direct thermal influences (sun, heating)

Codesystem

The ALMATEC Maschinenbau GmbH is certified as a modern, quality-orientated enterprise according to DIN EN ISO 9001:2008 and 14001:2005. Before release for dispatch, any pump of the E-Series has to undergo an extended final control. The performance data registered during this are archived in our records and can be read back at any time.

As a general rule in the countries of the EU only such machines are allowed to take into operation, which are determined to meet the regulations of the EU machinery directive, the harmonized standards, European standards and the respective national standards. Hence the operator has to verify whether the ALMATEC pump manufactured and delivered properly according to the customers order meets the mentioned requirements.

Therefore make sure, before putting the pump into operation, that the pump and the used materials of construction are suitable for the provided application and the installation site. To check this, the exact pump code is required. This code, the serial number and the year of construction are noted on the identification plates on the pump itself.

Technical data		E 08	E 10	E 15	E 25	E 40	E 50
Dimensions, mm (in.):	length	88 (3.5)	110 (4.3)	166 (6.5)	220 (8.7)	304 (12.0)	399 (15.7)
	width	128 (5.0)	147 (5.8)	189 (7.4)	255 (10.0)	353 (13.9)	430 (16.9)
	height	129 (5.1)	169 (6.7)	240 (9.4)	320 (12.6)	432 (17.0)	552 (21.7)
Nominal port size	NPT	1/4"	3/8"	1/2"	1"	1 1/2"	2"
Air connection	BSP	R 1/8	R 1/8	R 1/4	R 1/4	R 1/2	R 1/2
Weight, kg (lb):	PE	-	-	7 (15)	15 (33)	34 (75)	66 (146)
	PTFE	2 (4)	5 (11)	12 (26)	29 (64)	69 (152)	131 (289)
Max. particle size of solids for pumps with ball valves	mm (in.)	2 (0.08)	3 (0.12)	4 (0.16)	6 (0.24)	9 (0.35)	11 (0.43)
Suction lift dry, mWC (ft):	cylinder valves	1 (3.3)	2 (6.6)	3 (9.8)	4 (13.1)	5 (16.4)	5 (16.4)
	ball valves	0,5 (1.6)	1 (3.3)	2 (6.6)	3 (9.8)	4 (13.1)	4 (13.1)
Suction lift wet, mWC (ft)		9 (29.5)	9 (29.5)	9,5 (31.2)	9,5 (31.2)	9,5 (31.2)	9,5 (31.2)
Max. driving and operating pressure, bar (psig)		7 (100)	7 (100)	7 (100)	7 (100)	7 (100)	7 (100)
Max. operating temperature, °C (F):	PE	-	-	70 (158)	70 (158)	70 (158)	70 (158)
	PTFE	100 (212)	100 (212)	120 (248)	120 (248)	120 (248)	120 (248)
Theoretical displacement volume per single stroke (l)		0,0075	0,0215	0,1	0,34	0,98	2,6
Sound power level L_{WA} [dB (A)]:**	driving pressure 3 bar	77,5-84,0	79,5-81,0	77,0-89,0	74,0-84,2	82,2-86,6	66,6-84,9
	driving pressure 5 bar	80,0-86,5	79,5-85,0	75,0-94,0	68,6-87,8	72,2-95,5	73,5-91,5
	driving pressure 7 bar	80,2-87,0	79,5-86,0	74,0-96,0	70,0-91,0	68,5-94,4	67,3-96,0
Sound pressure level L_{pf} , 1 m [dB (A)]:***	driving pressure 3 bar	64,1-70,3	65,9-67,5	63,2-74,9	61,7-71,9	69,5-73,9	53,4-71,7
	driving pressure 5 bar	66,2-73,1	65,7-70,8	60,9-80,1	56,3-75,5	59,5-82,8	60,3-78,3
	driving pressure 7 bar	66,8-73,8	65,7-72,1	60,3-82,0	57,7-78,8	55,8-81,7	54,1-82,8

* PTFE pumps with NBR equipment 80°C

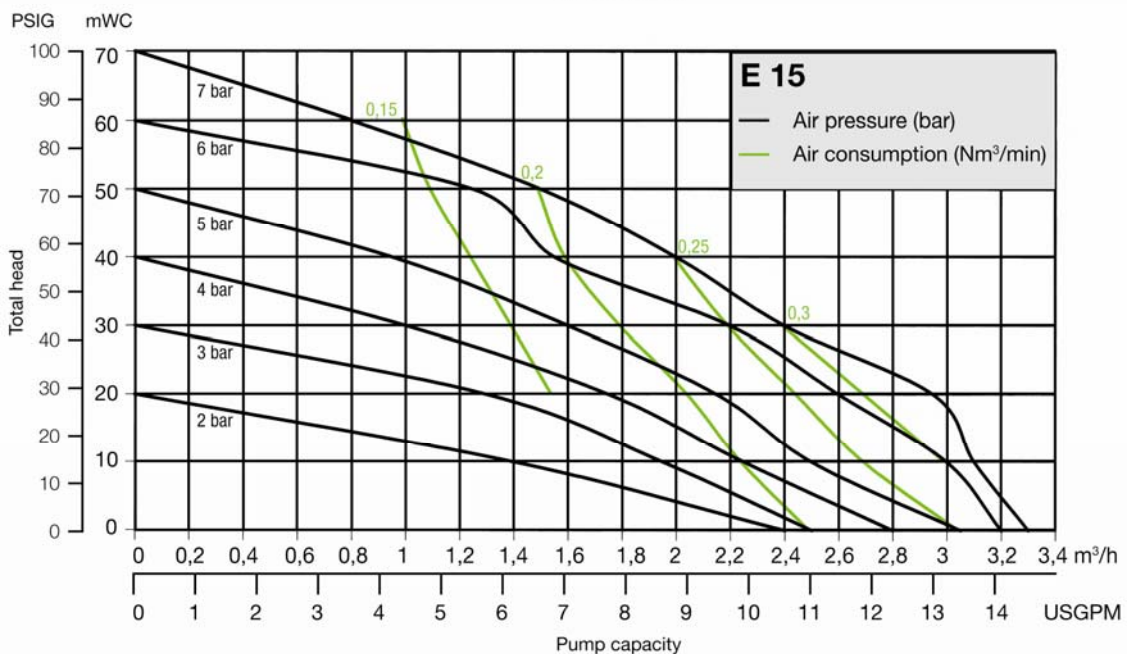
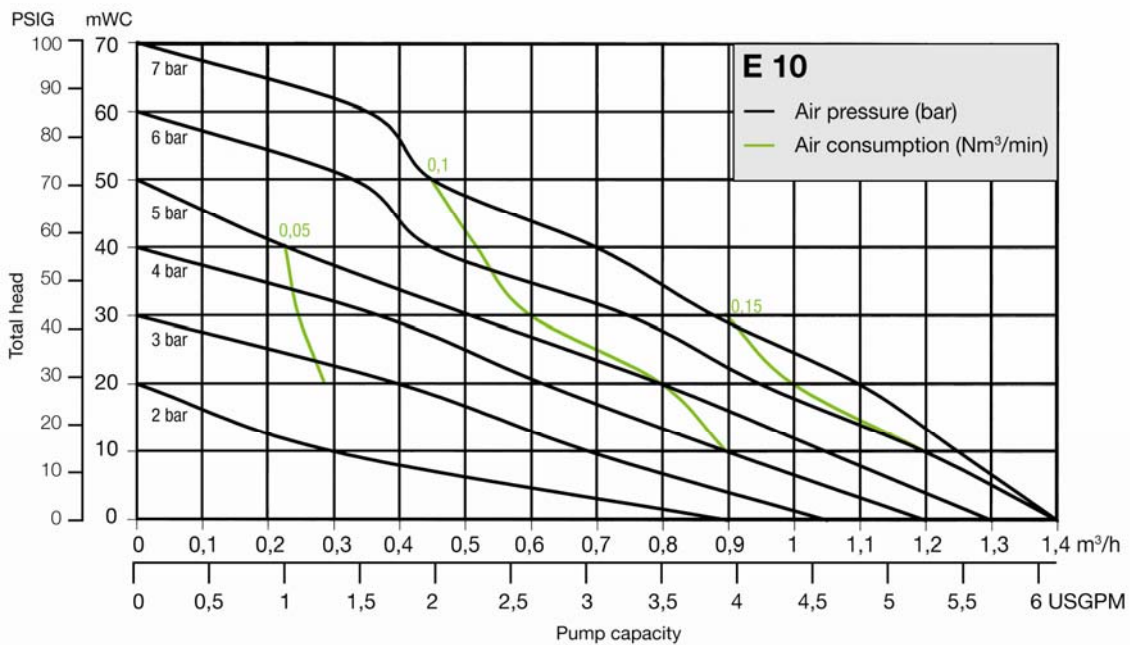
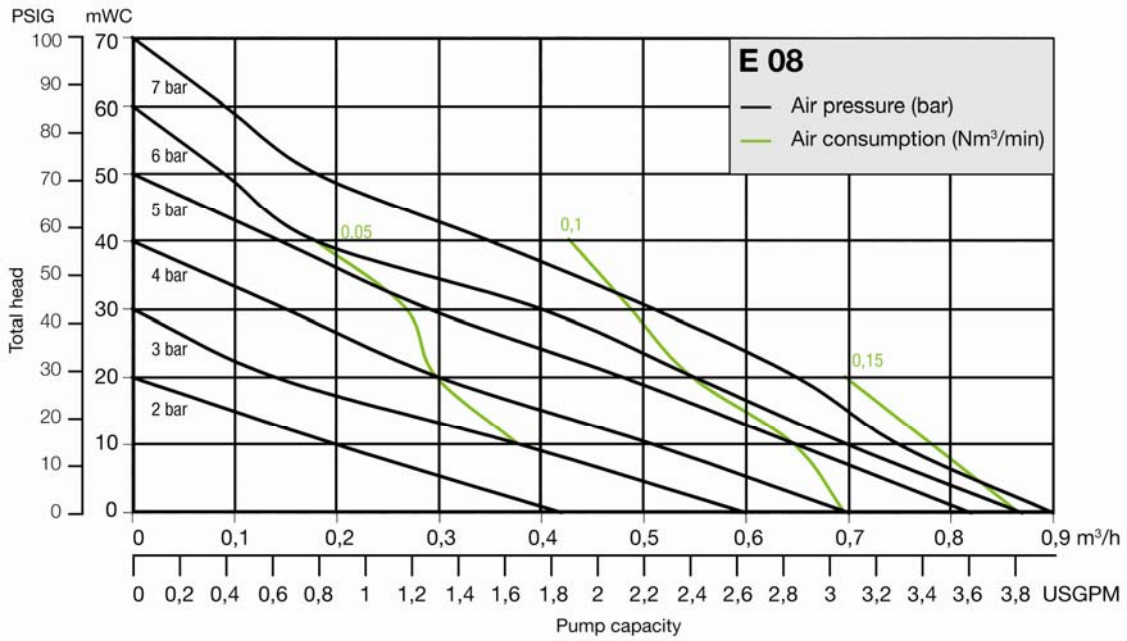
** determined in sound power level measurements according to EN ISO 3744 respectively EN ISO 9614 in laboratory and practise conditions

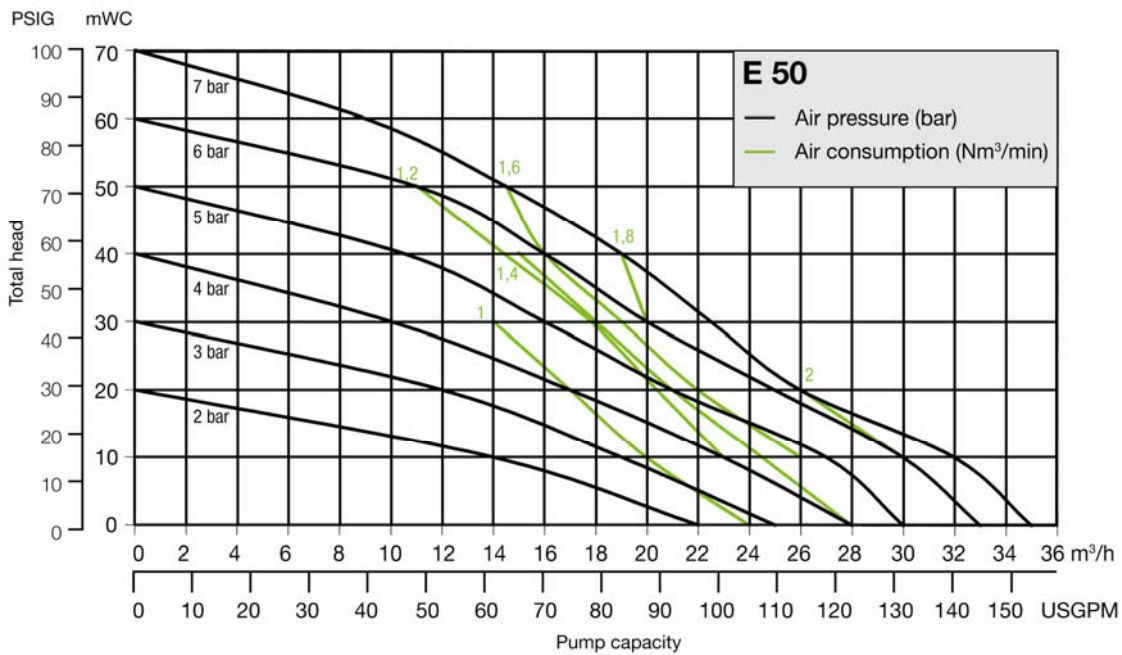
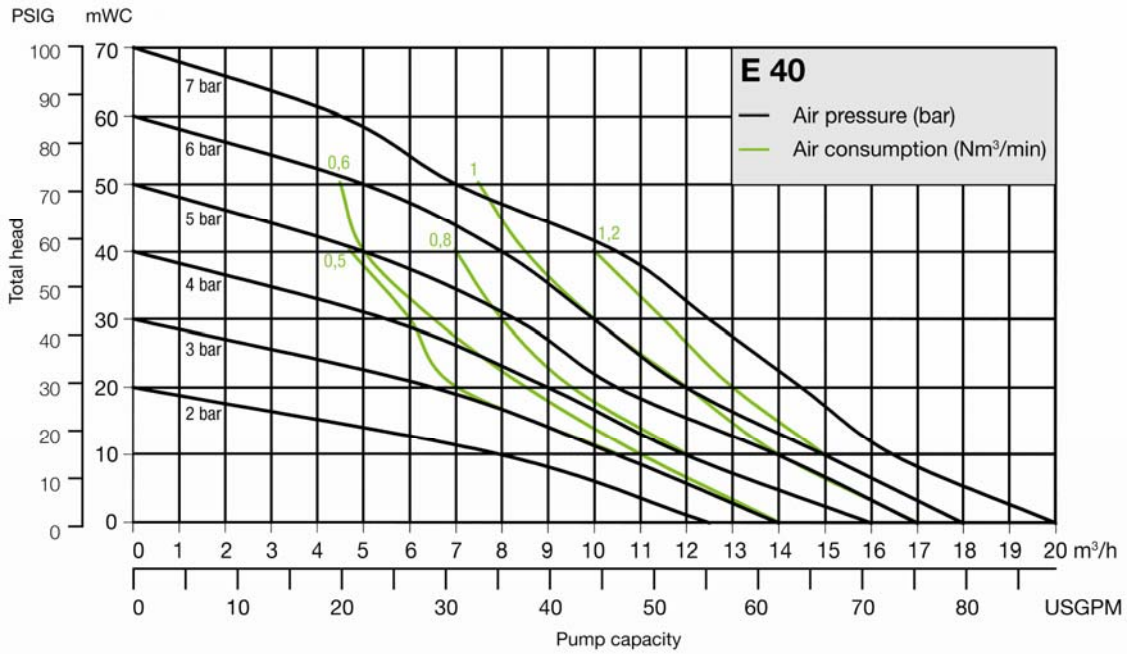
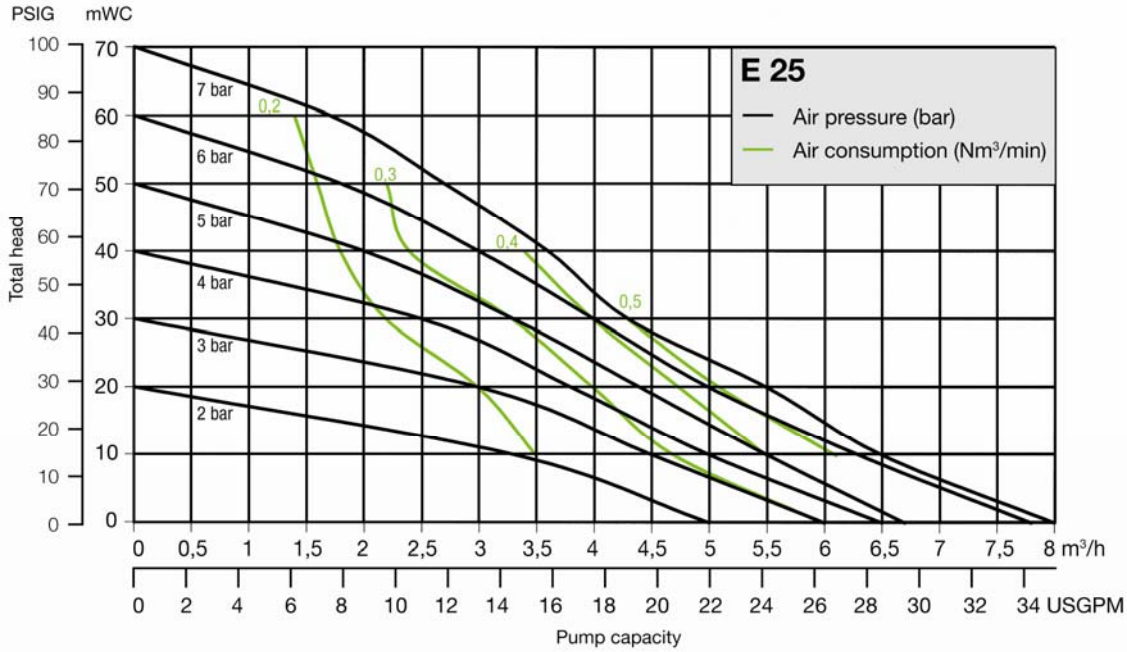
*** sound pressure levels as average location-independent values calculated norm-conformous from the location of the sound power levels listed above

These technical data refer to ALMATEC E-Series pumps without optional equipment.

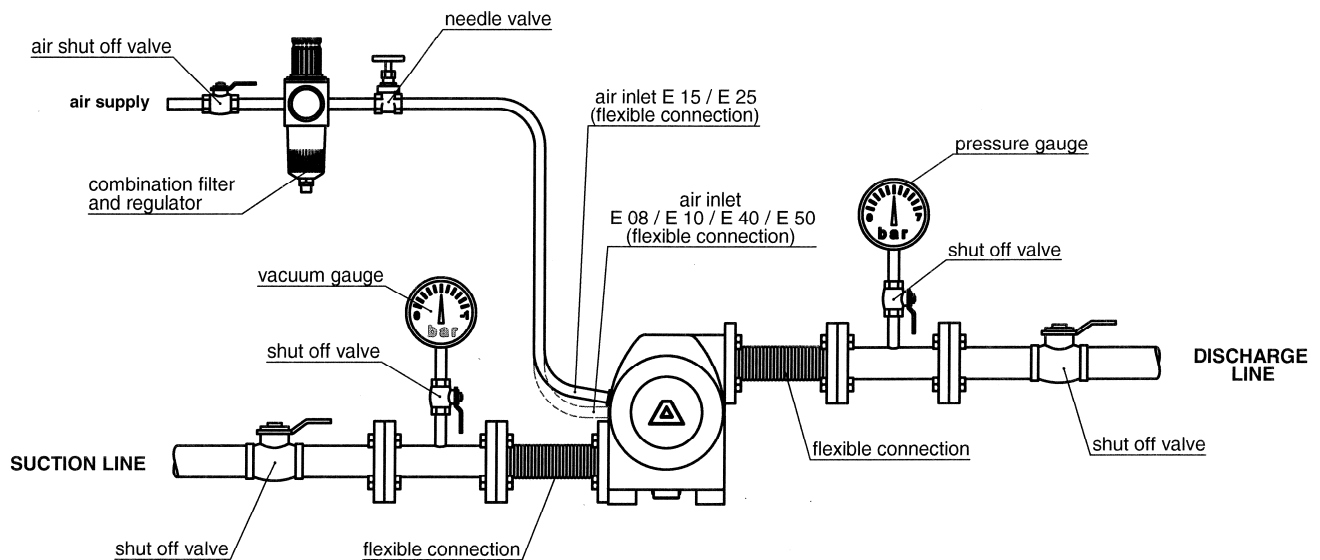
Performance charts

The data refer to water (20°C), under using of different variations (e.g. ball valve model, damper preparation etc.), a compressor Atlas Copco VSG30 and calibrated measuring equipment. The specified performance data are warranted by ALMATEC in accordance with DIN EN ISO 9906.





Recommended installation



Product ports

The product ports are integrated into the center housing [4]. Different port configurations can be obtained (without using of a screwed pulsation damper only). The standard configuration of the E-Series at delivery is with the suction inlet horizontally at the bottom and the discharge outlet horizontally at the top (figure 8.1). Further possible configurations:

- Suction inlet vertically at the bottom, the discharge outlet horizontally at the top (figure 8.2)
To obtain this configuration, the plug of the center housing [13] has to be removed and set in the standard inlet.
- Suction inlet horizontally at the bottom, the discharge outlet vertically at the top (figure 8.3)
Unscrew the housing bolts [19], take off the side housings [1] and turn the center housing [4]. Remount the pump and adjust the plug [13] accordingly.

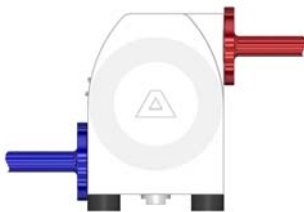


fig. 8.1

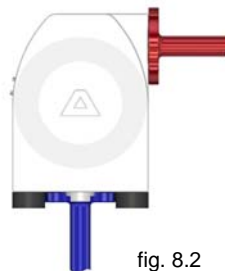


fig. 8.2

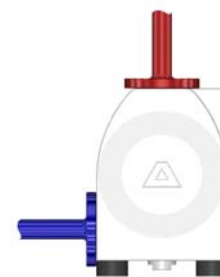


fig. 8.3

Installation, operation and maintenance

UV-radiation can damage the housing parts of pumps made of PE (material code E). In general, the pump has to be connected load free. Neglecting this causes leakage and maybe even damages. To avoid vibrations, pulsation dampers and compensators are recommended. Before connecting the pump, take the yellow blind plugs out of the suction and discharge connections as well as the air inlet [23] in the center housing [4]. The connections of ALMATEC air-operated diaphragm pumps made of plastic have slightly tapered threads. Use threadseal only sparingly, otherwise the connections could be damaged.

The operator is responsible for an adequately stability and an appropriate fixation of the piping according to the state of the art. To facilitate the installation and maintenance shut off valves should be installed right before and after the pump. The nominal width of the connection pipes has to be chosen in accordance to the connections of the pump. A smaller piping can cause cavitation (suction line) as well as a loss of performance (suction and discharge line). In case the pipe is too big, the dry suction capacity of the pump can decrease. Connect the suction line to the lower connection in the center housing [4]. Seal the suction line diligently; hosepipes should be suitably armoured. A suction line continuously rising will prevent the formation of air locks in the line which would affect the suction lift.

The air inlet [19] is located in the middle of the center housing [2]. Before installation, make sure that the air supply pipe is free of solids. To supply the pump with driving air sufficiently, the pipe diameter should match the size of the air inlet. Take care that no dirt or particles can intrude into the pump during the connection, as these can accumulate inside the pump and can cause malfunctions. An air filter [24] directly behind the air inlet [23] (not included in E 08 and E 10) prevents the entry of bulk particles.

The integrated air control system *PERSWING P*[®] [26] is a precision-control that requires oil-free, dry and clean compressed air for optimal function. If humidity is expected, a water separator or air dryer has to be fitted to protect the pump from blocking by ice. The ideal condition is the dewpoint of air at -20°C. In humid surroundings, icing from the outside may occur despite the driving air is dried. If so, a prolonged waste-air-exhaust (ca. 500 mm by pipe or hose) can be helpful. When installing the pump into boards or cabinets, it has to be ensured that cold air does not get caught behind the muffler. In applications with a tendency to freezing at the waste air exhaust, good experiences in practise have been achieved by pre-heating the driving air to increase the distance to the dew point of the air. Doing so, it has to be considered that the driving air temperature generally may not exceed 50°C to avoid expansion and sticking effects on the air side. This max. air temperature is a well valid when using a compressor producing warm air which is e.g. often true for truck compressors.

The pressure of the driving air should be limited to the amount required to meet the performance needed. Excessive pressure increases both the air consumption and the wear of the pump. The pump is regulated by tuning the flow rate of the air. For a proper operation at the lower performance range the regulation via a needle valve is recommended. An empty pump has to be driven slowly (e.g. via a needle-valve). The pump starts automatically. Pumps of the E-Series are self-priming when dry, thus it is not necessary to fill the suction line of the pump. The suction lift capacity of a liquid-filled pump, however, is much higher. The pump is appropriate for running dry during slow operation. Dry running at high stroke frequency causes premature wear. The pumps can briefly (up to max. one hour) be operated against a closed discharge line. Throttling on the suction side may damage the pump. When the pump operation has been stopped by a closed discharge, the pressure equilibrium of the diaphragms must be ensured. This can be achieved by keeping the pump connected to the air supply pressure; for longer stoppage, the pump must be released from the pressure within the system on both fluid side and air supply side.

Torque values



Immediately before putting the pump into operation as well as after some hours of pumping, the housing bolts [19] have to be fixed according to the torque data of the following schedules, as the elements of construction "settle". The valve stops discharge valve [9] and the plugs [11/13] have to be fixed too. Fixing all these parts is necessary as well after periods of stoppage, at temperature variations, after transport and dismantling the pump. In case of temperature varying between extremes or high temperature difference between the liquid and the surrounding, the housing bolts should be controlled more frequently (interval proposals are available on request). The following schedules show the torque values of the pump housing bolts, of the damper housing bolts (when using a pulsation damper of the ET-Series) and of the optional flange connection (optional equipment codes F3/F4/F5).

Pump size	E 08	E 10	E 15	E 25	E 40	E 50
Torque values for pump housing bolts (Nm):						
PE pumps	-	-	8,5	14	18	23
PTFE pumps	2	4,5	6,5	11	15	19

Damper size	ET 10	ET 15	ET 25	ET 40	ET 50
Torque values for damper housing bolts (Nm):					
PE damper	-	3	6	10	11
PTFE damper	2	3	6	10	11

Pump size	E 15	E 25	E 40	E 50
Torque values for flange connections (Nm)	4	5	12	15

Safety hints



- Installation, operation, and maintenance by qualified staff only.
- Before start-up of the pump anyone should acquaint oneself with the explanations of the chapter troubleshooting (see pages 14/15). Only by this the defect quickly can be realized and eliminated in case of trouble. Problems which cannot be solved or with an unknown reason should be passed on to the manufacturer.
- Before any maintenance and service procedures arising on the pump or on the optional equipments, the complete installation has to be turned off and protected against accidental turn on. This is possible by a lockable emergency stop for the air supply of the pump. Additional a danger sign against restart should be attached.
- Pressure tests of the plant a pump is included in may only be carried out with the pump disconnected from the pressure on both ports or by using the pressure the pump develops while operating. The load of a pressure in the plant may damage the pump.
- Pump must not be operated with a positive suction pressure.
- Depending on the conditions of operation, the liquid conveyed might escape from the pump through the muffler in case of a diaphragm rupture (in this case muffler has to be replaced). For further safety requirements the optional equipment diaphragm monitoring and barrier chamber system are recommended.
- In case of a diaphragm rupture, it might be possible for the fluid pumped to intrude into the air side of the pump. In very adverse conditions - e.g. pressure within the fluid system during stopped air supply - the fluid might as well find its way into the air supply lines. To protect other devices like pulsation dampers or even pneumatic valves, it is recommended to protect the air supply line accordingly, e.g. via a non-return valve. This would as well avoid polluting the air supply line.
- The state of the muffler has to be inspected regularly, as a blocked muffler can be forced out of the pump. If this happens, damages of properties and/or persons cannot be excluded.
- If the product tends to settle, the pump has to be flushed regularly. For larger solids a filter has to be installed in the suction line.
- In case of delivery of hot liquids the wetted pump must not standstill for a longer time, because it could lead to temporary leaks in the valve area and to a blockade of the air control system.
- The relevant effective security advises have to be respected.
- Pools of liquid which appear in the near outer area of the pump have to be inspected on danger potential, if necessary safety measures are to be taken.
- Chemical and biological reactions in the product chamber of the pump (mixture of different substances) and the freezing of the liquid have to be avoided.
- Before starting to disassemble the pump, take care that the pump has been emptied and rinsed. Both ports piping are to be closed and drained if applicable. Further the pump has to be cut off from any energy on the air and product side. If the pump is being deported from the plant, a reference about the delivered liquid has to be attached.
- Please respect the relevant additional security advices, if the pump has been used for aggressive, dangerous or toxic liquids (e.g. suitable protective equipment according to the safety data sheet of the liquid). In case of a diaphragm rupture, it is possible that residues of the liquid remain behind the diaphragms, in the area of the air control system and at the muffler, despite of several flushing processes. Hence, appropriate safety equipment according to the safety data sheet of the liquid is indispensable.
- Before putting the pump back into operation, the tightness of the pump has to be checked.
- Air-operated diaphragm pumps can lead to bruises when lifting, sinking or assembling them. Appropriate accessories and safety equipments are to be used. Big and heavy modules have to be fixed and secured to lifting gears when transporting/replacing them.
- Especially when deliver critical liquids, wear parts, like diaphragms, should be replaced within a preventive maintenance.
- The use of non-original ALMATEC spare parts and structural changes lead to the lapse of the warranty immediately. When operating such a pump, damages of properties and/or persons cannot be excluded.
- The operation of the pump with nitrogen as driving gas is possible. In closed rooms sufficient ventilation must be provided.
- Possible electrical connections (e.g. when using optional equipment with controllers) may be executed by a qualified person only. The regulations of the respective manufacturers are to be followed.
- At any work arising it has to be made sure that no explosive atmosphere can appear. Appropriate safety equipment is recommended.
- Procedure for pump return: According to the requirements of our 14001-certification, every

unit which is sent to ALMATEC for diagnosis or maintenance reasons has to be accompanied by a filled out decontamination-sheet. Otherwise a processing is not possible. The decontamination-sheet is enclosed to this manual. Please pay attention to the further safety regulations.

Using as submersible pump

Consider the following advises when using an E-Series pump as a submersible pump: When immersing an air-operated diaphragm pump, it must generally be ensured that the waste air is deducted above the fluid level with a pipe or similar. The pump must be located vertically upright to guarantee proper function. Minute leakage on the air inlet or outlet can block the air valve. The pump must be disconnected from the pressure within the system during standstill. When choosing the pump type, it must be taken into consideration that all external parts - even those non-wetted during standard operation - like covers, shock absorbers, connections etc. must be resistant to the fluid pumped. Please consider as well that depending on the material, the pump must be weight down resp. fixed.

Additional temperature hints

The temperature and pressure limitations listed on page 5 are solely based on mechanical temperature limits of the housing material used. Depending on the fluid pumped, the maximum safe operating temperature of the housing material can be reduced significantly.

A general aspect of lower temperatures is, that below 0°C cold-brittling of the elastomers used within the pumps can results in accelerated wear. Regarding the housing materials, please note that PE - other than PP - keeps its mechanical strengths at low temperatures and PTFE keeps mechanically stable as well for an extended temperature range. ALMATEC pumps of the E-Series can therefore be operated safely as well within low-temperature installations: However, with liquids below 0°C accelerated wear of internal parts has to be accepted. Moreover, freezing, bogging or crystallisation of the fluid pumped must be avoided, especially within the pump. Emptying the pump via the drainage system (optional equipment code R) may be a useful tool to assist this.

Please consider, that viscosity and specific gravity of most fluids change with temperature (most often increasing at lower temperature). Depending on the application, this fact may not only result in result in a reduced flow rate, the pump may even be unable to prime the thicker and/or "heavier" fluid any more.

In case of varying application temperatures, the housing bolt tension has to be controlled very thoroughly, as variations like these can change the effective tension of the housing bolts via the different thermal expansion characteristics of single.

Providing spare parts

We recommend having spare part kits S on stock. These include the relevant spare parts for your pump.

Disassembly

When dismantling a pump the mentioned procedures and safety notes on the pages 9-11 have to be considered generally. Among the different sizes of the E-Series - E 15 to E 50 - only the number of housing bolts [19] varies. Besides, for the sizes E 08 and E 10 the shaft [20] additionally functions as the pilot piston for the air-valve. In these pumps E 08 and E 10, there are no shaft piston rings [22] and no set screws [21] nor an air filter [24]. Please keep these differences in construction in mind when reading the following dismantling instructions.

The general design of the ALMATEC E-Series is simple. Two tools are delivered along with every pump. The plastic one of these is designed for the mounting of the air-valve [26], the other one for the mounting of valve seat [16]. Further special tools are not required.

Take the cover [3] out of the side housings [1], to get access to the housing bolts [19]. Unscrew the housing bolts [19] on one side using a socket wrench, remove tension disc [2] first and side housing [1] second. Work carefully to ensure that the sealing surfaces in contact to the diaphragms are not damaged. Carefully draw the housing bolts [15] out of the pump and remove the second cover [2]. The center housing [4] and both side housings [1] are removeable now. Remove the sleeve [5] out from the side housing [1]. Take the O-rings sleeve [6] out of the center housing [4] and both side housings [1] for a possible renewal.

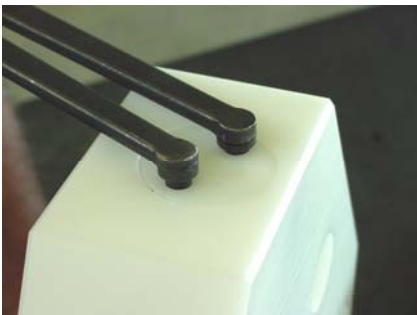


fig. 12.1

For further dismantling of the side housings [1], screw out the valve stop, discharge valve [9] with an appropriate wrench (figure 12.1). Alternatively, you can stick two housing bolts [19] into the holes in the valve stop [9] and loosen the valve stop with a third housing bolt [19] fixed in between the others. Take out the ball valve [15] resp. cylinder valve [15] and the O-ring, valve stop, discharge valve [10].

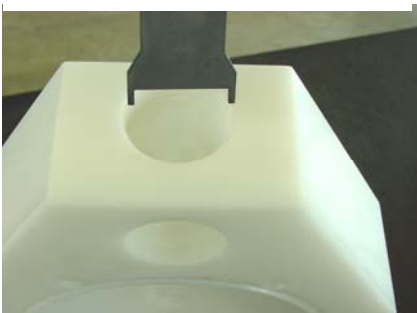


fig. 12.2

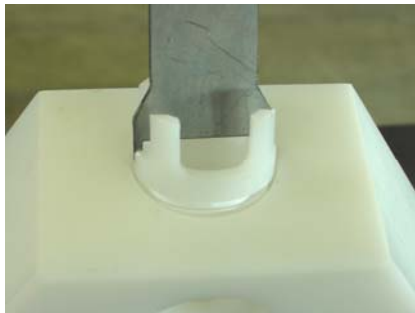


fig. 12.3

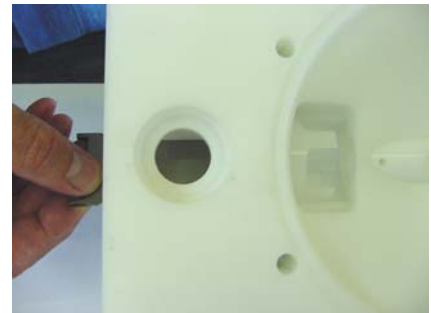


fig. 12.4



fig. 12.5

Use the metallic mounting tool to unscrew the valve seat [16] (figure 12.2/12.3). The plug, side housing [11] can be unscrewed the same way as described for the valve stop [9]. Take care of O-ring plug side housing [12]. Loosen the thread bolt [8] with a screw-driver. Remove lock bolt [7] and afterwards ball/cylinder valve [15]. Turn the mounting tool and screw the valve seat [16] into the side housing [1] (figure 12.4). The valve seat [16] can now be removed from inside the side housing.

Screw one diaphragm [18] left-turning off the shaft [20] and pull the other diaphragm [18] together with the shaft [20] out of the center housing [4]. Take out set screws shaft [21] of the diaphragms [18] by using a hexagon socket key (figure 12.5). Remove both parts of the shaft piston rings [22] from their grooves carefully (figure 13.1); do not damage the edges in the center housing, a re-assembly of the same piston rings is impossible, they have to be replaced. Unscrew the muffler [25], the air inlet [23] and the air filter [24] out of the center housing [4]. To remove the *PERSWING P*[®] air control system [26], screw off both end caps using the plastic mounting tool delivered with the pump (figure 13.2). Take out main and pilot piston. Push out the air valve housing with the mounting tool turned around (figure 13.3).



fig. 13.1



fig. 13.2



fig. 13.3

Assembly

The re-assembly of the components is principally carried out vice-versa to the dismantling. Here are some additional references.

For the installation of the *PERSWING P*[®] air control system [26], first screw in one end cap flushly into the center housing [4]. Insert one of the six O-rings air-valve housing [27] into the end cap from the inside. Moisture the four O-rings [27] of the air-valve housing with a bit of water and push the housing into the center housing [4] using the mounting tool. Take care that it slips in softly. Do never insert the housing violently with a hammer. In case the housing cocks or hardly gets in, take it out again completely and start again. Insert the main piston and the pilot piston. Lay the sixth O-ring [27] on the edge of the air valve housing and screw in the second end cap.



Abb. 13.4

To assemble new piston rings [22] (pump sizes E 15 - E 50 only), carefully shape them like kidneys with locking ring pliers and insert the rings into the grooves in the center housing [4] (figure 13.4); completely press the rings into the grooves smoothly using some round tool.

Screw the set screws [21] into the diaphragms and tighten them. Fix the diaphragms [18] completely into the shaft [20] with the set screws [21]. Adjust the bores in the center housing [4] to the diaphragm on both sides (turn slightly backwards if necessary). The sealing surfaces of the diaphragms and the side housings [1] have to be absolutely clean and undamaged; mere small scratches can cause leaking (if necessary, smoothen the housing surfaces carefully with fine sandpaper).

When assembling the housing bolts [19] pay attention to the different lengths of the threads located on both sides. Push a spring washer on the side with the shorter thread and screw on the nut to the stop.

Cautiously push the O-rings sleeve [6] into the side housings [1] and the center housing [4] (avoid bending the rings by all means! If necessary, moisture and softly twist the rings). When installing the valve stop, discharge valve [9] always start with inserting the O-ring, valve stop discharge valve [10] into the side housing [1] carefully, do NOT shove the O-ring onto the valve stop [9]. It has to be ensured that the O-ring is in direct flat contact to the horizontal surface at the end of the thread (press in with an appropriate round stick if necessary). When building in cylinder valves, take care that these valves [15] are set into the valve seat [16] with flat side first. Afterwards insert lock bolt [7] and bolt together with the thread bolt [8]. Shove one diaphragm [18] into the center housing [4], lay the side housing [1] and the tension disc [2] onto the diaphragm and fix its position with housing bolts [19]. After that, shove the other diaphragm [18] into the center housing [4] and carefully push the housing bolts [19] completely through the center housing [4] [slightly turning the bolts helps them to find their way]. Take care, that the diaphragms [18] are not damaged. Adjust the second side housing [1] and the tension disc [2]. Fix the housing bolts [19] crosswise evenly according to the given torque values until the side housings [1] are situated on the center housing [4]. Any further tightening of the bolts does not improve sealing but can deform the housing! Before putting the pump back into operation, the tightness of the pump has to be checked.

Troubleshooting

Malfunction	Possible Reason	Solutions/Remarks
pump does not operate	air supply line blocked/closed muffler blocked working chambers blocked air control system defective discharge line blocked/closed	open air supply clean/replace muffler remove blockage replace air valve system clean/open line
pump operates unsteadily	piston rings worn air control system worn diaphragm rupture air control system soiled check valve blocked icing	replace piston rings replace air control system replace diaphragm, clean pump clean/replace air control system cleaning, removal of bulk particles improve air processing
air within liquid	suction line leaky container with liquid empty diaphragm rupture cavitation	seal suction line fill/new container replace diaphragm adapt suction lift, possibly install suction pressurised air chamber
insufficient discharge pressure	insufficient pressure/amount of driving air air supply line leaky air control system leaky check valve worn more air consuming components	increase air supply check/repair air supply replace air control system check/replace check valve increase pressure/amount of air
output decreases	air control system soiled icing air pressure drop suction line/inlet strainer soiled discharge line/outlet strainer soiled muffler blocked check valve worn change in viscosity more air consuming components	clean/replace air control system improve air processing: dryer/filter ensure sufficient supply of air cleaning cleaning replace the muffler replace valve change back/adjust pump increase pressure/amount of air
pump stops itself	icing of the air control system air pressure too low air pressure drop discharge line blocked air filter blocked valve closed air control system defective wear/leaking of air control system diaphragm rupture check valve blocked/worn	improve air processing: dryer/heater etc. increase air pressure ensure sufficient air supply clean discharge line clean air filter open valve replace air control system replace air control system replace diaphragm, clean pump clean/replace check valve

Malfunction	Possible Reason	Solutions/Remarks
pumps operates, however suction capacity insufficient	<p>pump operates too fast operation beyond physical limits cavitation operation beyond pump capacity</p> <p>air cushion within suction/discharge line dry suction against discharge pressure valve filter within suction line closed valve filter within discharge line closed container with liquid empty vacuum inside the container wear of the check valves suction line leaky suction line blocked air pressure cushion at discharge check valve blocked</p>	<p>start more slowly adjust installation check, cool down adjust installation resp. install bigger pump bleed the line</p> <p>wet pump, start without pressure</p> <p>open valve/clean filter open valve/clean filter</p> <p>fill/new container bleed container replace valves seal suction line clean suction line bleed discharge line clean/replace valve</p>
insufficient suction capacity after pump repair	<p>connections tighten incompletely check valves inserted falsely</p>	<p>tighten/seal connections correct positioning of check valves</p>
diaphragm overstrained	<p>pressure within the plant/system</p> <p>inadmissible vacuum icing</p>	<p>ensure that pressure is only developed by the pump itself, check plant/valves, replace diaphragms check suction line, open valve improve air processing</p>
leaking between housing parts	<p>housing bolts loosened O-rings sleeve damaged diaphragms attacked chemically diaphragms overstrained tension installation/pipework</p>	<p>tighten bolts, check pump replace O-rings replace diaphragms replace diaphragms loosen, eliminate tension, use of a compensator</p>
muffler grey	driving air too humid, icing	improve quality of driving air
muffler black	soiled, oily air	improve quality of driving air, install sensitive filter in suction line
pump is connected to air but does not operate	<p>air control system blocked bulk particles/dirt</p> <p>chemical influence (O-rings swollen) valve closed in discharge line</p>	<p>clean/replace air control system clean pump, replace necessary parts, improve air quality check, replace damaged parts</p> <p>open valve</p>
liquid leaves the pump via the muffler	diaphragm rupture	replace diaphragms, clean pump

Spare part list ALMATEC E-Series, EEE – ETZ
Material housing parts: Polyethylene (PE)

Size				E 15 E..	E 25 E..	E 40 E..	E 50 E..
Item	Pc.	Description	Material	Part-No.	Part-No.	Part-No.	Part-No.
1	2	Side housing	PE	7 15 010 51	7 25 010 51	7 40 010 51	7 50 010 51
2	2	Tension disc	1.4301	7 15 008 22	7 25 008 22	7 40 008 22	7 50 008 22
3	2	Cover	PE	7 15 009 51	7 25 009 51	7 40 009 51	7 50 009 51
4	1	Center housing	PE	7 15 011 51	7 25 011 51	7 40 011 51	7 50 011 51
5	4	Sleeve	PE	2 15 012 51	2 25 012 51	2 40 012 51	2 50 012 51
6	8	O-ring, sleeve, code EE.	EPDM	9 20 631 72	9 33 632 72	9 50 633 72	9 62 634 72
		O-ring, sleeve, code EN.	NBR	9 20 631 71	9 33 632 71	9 50 633 71	-
		O-ring, sleeve, code ET.	FEP/FKM	9 20 631 59	9 33 632 59	9 50 633 59	9 62 634 59
7	2	Lock bolt	PE	7 15 013 52	7 25 013 52	7 40 013 52	7 50 013 52
8	4	Thread bolt	PE	2 08 014 52	2 10 014 52	2 15 014 52	2 15 014 52
9	2	Valve stop, discharge valve	PE	7 15 015 51	7 25 015 51	7 40 015 51	7 50 015 51
10	2	O-ring, valve stop discharge valve, code EE.	EPDM	9 24 625 72	9 38 626 72	9 57 627 72	9 76 628 72
		O-ring, valve stop discharge valve, code EN.	NBR	9 24 625 71	9 38 626 71	9 57 627 71	-
		O-ring, valve stop discharge valve, code ET.	FEP/FKM	9 24 625 59	9 38 626 59	9 57 627 59	9 76 628 59
11	2	Plug, side housing	PE	7 15 017 51	7 25 017 51	7 40 017 51	7 50 017 51
12	2	O-ring, plug side housing, code EE.	EPDM	9 25 610 72	9 40 613 72	9 62 634 72	9 79 353 72
		O-ring, plug side housing, code EN.	NBR	9 25 610 71	9 40 613 71	9 62 634 71	-
		O-ring, plug side housing, code ET.	FEP/FKM	9 25 610 59	9 40 613 59	9 62 634 59	9 79 353 59
13	1	Plug, center housing	PE	7 15 019 51	7 25 019 51	7 40 019 51	7 50 019 51
14	1	O-ring, plug center housing, code EE.	EPDM	9 33 632 72	9 50 633 72	9 62 634 72	9 73 635 72
		O-ring, plug center housing, code EN.	NBR	9 33 632 71	9 50 633 71	9 62 634 71	-
		O-ring, plug center housing, code ET.	FEP/FKM	9 33 632 59	9 50 633 59	9 62 634 59	9 73 635 59
15	4	Cylinder valve, code E.Z	PTFE	7 15 016 60	7 25 016 60	7 40 016 60	7 50 016 60
		Ball valve, code E.E	EPDM	1 15 032 72	1 25 032 72	1 40 032 72	1 50 032 72
		Ball valve, code E.N	NBR	1 15 032 71	1 25 032 71	1 40 032 71	-
		Ball valve, code E.S	SS	1 15 032 22	1 25 032 22	-	-
		Ball valve, code E.T	PTFE	1 15 032 60	1 25 032 60	1 40 032 60	1 50 032 60
16	4	Valve seat, ball valves	PE	2 15 018 52	2 25 018 52	2 40 018 52	2 50 018 52
		Valve seat, cylinder valves	PE	7 15 018 52	7 25 018 52	7 40 018 52	7 50 018 52
17	4	Shock absorbers	NR	1 15 322 85	1 15 322 85	1 40 322 85	1 40 322 85
18	2	Diaphragm, code EE.	EPDM	1 15 031 72	1 25 031 72	1 40 031 72	1 50 031 72
		Diaphragm, code EN.	NBR	1 15 031 70	1 25 031 70	1 40 031 70	-
		Diaphragm, code ET.	PTFE	1 15 031 67	1 25 031 67	1 40 031 67	1 50 031 67
19	*	Housing bolt, cpl.	1.4305	7 15 020 22	7 25 020 22	7 40 020 22	7 50 020 22
20	1	Shaft	1.4301	2 15 030 22	2 25 030 22	2 40 030 22	2 50 030 22
21	2	Set screw, shaft	1.4305	9 10 220 22	9 12 221 22	9 16 222 22	9 20 223 22
22	2	Shaft piston ring, cpl.	PTFE	1 15 041 64	1 25 041 64	1 40 041 64	1 50 041 64
23	1	Air inlet	PETP	1 15 047 84	1 15 047 84	1 40 047 84	1 40 047 84
24	1	Air filter	PE	1 15 043 51	1 15 043 51	1 40 043 51	1 40 043 51
25	1	Muffler, cpl.	PE	1 15 244 51	1 15 244 51	1 40 244 51	1 50 244 51
26	1	PERSWING P® air control system, cpl.	PETP	2 15 001 84	2 15 001 84	2 40 001 84	2 50 201 84
27**	6	O-ring, air valve housing	NBR	9 35 504 71	9 35 504 71	9 46 515 71	9 66 533 71

* E 15 and E 25: 6 pieces; E 40 and E 50: 8 pieces ** included in item 26

Please see page 4 for explanation of the pump code.
When ordering please state the serial number of the pump.
For spare part lists for special equipments please see page 22 and the following ones.

Spare part list ALMATEC E-Series, TEE – TTZ
Material housing parts: PTFE

Size				E 08 T..	E 10 T..	E 15 T..	E 25 T..	E 40 T..	E 50 T..
Item	Pc.	Description	Material	Part-No.	Part-No.	Part-No.	Part-No.	Part-No.	Part-No.
1	2	Side housing	PTFE	7 08 010 60	7 10 010 60	7 15 010 60	7 25 010 60	7 40 010 60	7 50 010 60
2	2	Tension disc	1.4301	7 08 008 22	7 10 008 22	7 15 008 22	7 25 008 22	7 40 008 22	7 50 008 22
3	2	Cover	PE	7 08 009 51	7 10 009 51	7 15 009 51	7 25 009 51	7 40 009 51	7 50 009 51
4	1	Center housing	PTFE	7 08 011 60	7 10 011 60	7 15 011 60	7 25 011 60	7 40 011 60	7 50 011 60
5	4	Sleeve	PTFE	2 08 012 69	2 10 012 69	2 15 012 69	2 25 012 69	2 40 012 69	2 50 012 69
6	8	O-ring, sleeve, code TE.	EPDM	-	9 15 630 72	9 20 631 72	9 33 632 72	9 50 633 72	9 62 634 72
		O-ring, sleeve, code TN.	NBR	-	-	9 20 631 71	9 33 632 71	9 50 633 71	-
		O-ring, sleeve, code TT.	FEP/FKM	9 12 629 59	9 15 630 59	9 20 631 59	9 33 632 59	9 50 633 59	9 62 634 59
7	2	Lock bolt	PTFE	7 08 013 60	7 10 013 60	7 15 013 60	7 25 013 60	7 40 013 60	7 50 013 60
8	4	Thread bolt	PTFE	7 08 014 60	7 08 014 60	2 08 014 60	2 10 014 60	2 15 014 60	2 15 014 60
9	2	Valve stop, discharge valve	PTFE	7 08 015 60	7 10 015 60	7 15 015 60	7 25 015 60	7 40 015 60	7 50 015 60
10	2	O-ring, valve stop discharge valve, code TE.	EPDM	-	9 19 624 72	9 24 625 72	9 38 626 72	9 57 627 72	9 76 628 72
		O-ring, valve stop discharge valve, code TN.	NBR	-	-	9 24 625 71	9 38 626 71	9 57 627 71	-
		O-ring, valve stop discharge valve, code TT.	FEP/FKM	9 16 623 59	9 19 624 59	9 24 625 59	9 38 626 59	9 57 627 59	9 76 628 59
11	2	Plug, side housing	PTFE	7 08 017 60	7 10 017 60	7 15 017 60	7 25 017 60	7 40 017 60	7 50 017 60
12	2	O-ring, plug side housing, code TE.	EPDM	-	9 20 602 72	9 25 610 72	9 40 613 72	9 62 634 72	9 79 353 72
		O-ring, plug side housing, code TN.	NBR	-	-	9 25 610 71	9 40 613 71	9 62 634 71	-
		O-ring, plug side housing, code TT.	FEP/FKM	9 14 178 59	9 20 602 59	9 25 610 59	9 40 613 59	9 62 634 59	9 79 353 59
13	1	Plug, center housing	PTFE	7 08 019 60	7 10 019 60	7 15 019 60	7 25 019 60	7 40 019 60	7 50 019 60
14	1	O-ring, plug center housing, code TE.	EPDM	-	9 20 631 72	9 33 632 72	9 50 633 72	9 62 634 72	9 73 635 72
		O-ring, plug center housing, code TN.	NBR	-	-	9 33 632 71	9 50 633 71	9 62 634 71	-
		O-ring, plug center housing, code TT.	FEP/FKM	9 20 631 59	9 20 631 59	9 33 632 59	9 50 633 59	9 62 634 59	9 73 635 59
15	4	Cylinder valve, code T.Z	PTFE	7 08 016 60	7 10 016 60	7 15 016 60	7 25 016 60	7 40 016 60	7 50 016 60
		Ball valve, code T.E	EPDM	1 10 032 72	4 15 032 72	1 15 032 72	1 25 032 72	1 40 032 72	1 50 032 72
		Ball valve, code T.N	NBR	-	-	1 15 032 71	1 25 032 71	1 40 032 71	-
		Ball valve, code T.S	SS	1 10 032 22	4 15 032 22	1 15 032 22	-	-	-
		Ball valve, code T.T	PTFE	1 10 032 60	4 15 032 60	1 15 032 60	1 25 032 60	1 40 032 60	1 50 032 60
16	4	Valve seat, ball valves	PTFE	2 08 018 60	2 10 018 60	2 15 018 60	2 25 018 60	2 40 018 60	2 50 018 60
		Valve seat, cylinder valves	PTFE	7 08 018 60	7 10 018 60	7 15 018 60	7 25 018 60	7 40 018 60	7 50 018 60
17	4	Shock absorbers	NR	1 08 322 85	1 08 322 85	1 15 322 85	1 15 322 85	1 40 322 85	1 40 322 85
18	2	Diaphragm, code TE.	EPDM	-	1 10 031 72	1 15 031 72	1 25 031 72	1 40 031 72	1 50 031 72
		Diaphragm, code TN.	NBR	-	-	1 15 031 70	1 25 031 70	1 40 031 70	-
		Diaphragm, code TT.	PTFE	1 08 031 67	1 10 031 67	1 15 031 67	1 25 031 67	1 40 031 67	1 50 031 67
19	*	Housing bolt, cpl.	1.4305	7 08 020 22	7 10 020 22	7 15 020 22	7 25 020 22	7 40 020 22	7 50 020 22
20	1	Shaft	1.4301	2 08 030 22**	2 08 030 22**	2 15 030 22	2 25 030 22	2 40 030 22	2 50 030 22
21	2	Set screw, shaft	1.4305	-	-	9 10 220 22	9 12 221 22	9 16 222 22	9 20 223 22
22	2	Shaft piston ring, cpl.	PTFE	-	-	1 15 041 64	1 25 041 64	1 40 041 64	1 50 041 64
23	1	Air inlet	PETP	1 08 047 84	1 08 047 84	1 15 047 84	1 15 047 84	1 40 047 84	1 40 047 84
24	1	Air filter	PE	-	-	1 15 043 51	1 15 043 51	1 40 043 51	1 40 043 51
25	1	Muffler, cpl.	PE	1 08 244 51	1 08 244 51	1 15 244 51	1 15 244 51	1 40 244 51	1 50 244 51
26	1	PERSWING P® air control system, cpl.	PETP	2 08 001 84	2 08 001 84	2 15 001 84	2 15 001 84	2 40 001 84	2 50 201 84
27**	6	O-ring, air valve housing	NBR	9 26 519 71	9 26 519 71	9 35 504 71	9 35 504 71	9 46 515 71	9 66 533 71

* E 08 and E 10: 4 pieces; E 15 and E 25: 6 pieces; E 40 and E 50: 8 pieces ** included in item 26

Please see page 4 for explanation of the pump code.

When ordering please state the serial number of the pump.

For spare part lists for special equipments please see page 22 and the following ones.

Spare part list ALMATEC E-Series, FEE – FTZ
Material housing parts: PE conductive

Size				E 15 F..	E 25 F..	E 40 F..	E 50 F..
Item	Pc.	Description	Material	Part-No.	Part-No.	Part-No.	Part-No.
1	2	Side housing	PE conductive	7 15 010 55	7 25 010 55	7 40 010 55	7 50 010 55
2	2	Tension disc	1.4301	7 15 008 22	7 25 008 22	7 40 008 22	7 50 008 22
3	2	Cover	PE conductive	7 15 009 55	7 25 009 55	7 40 009 55	7 50 009 55
4	1	Center housing	PE conductive	7 15 011 55	7 25 011 55	7 40 011 55	7 50 011 55
5	4	Sleeve	PE conductive	2 15 012 55	2 25 012 55	2 40 012 55	2 50 012 55
6	8	O-ring, sleeve, code FE.	EPDM	9 20 631 72	9 33 632 72	9 50 633 72	9 62 634 72
		O-ring, sleeve, code FN.	NBR	9 20 631 71	9 33 632 71	9 50 633 71	-
		O-ring, sleeve, code FT.	FEP/FKM	9 20 631 59	9 33 632 59	9 50 633 59	9 62 634 59
7	2	Lock bolt	PE conductive	7 15 013 56	7 25 013 56	7 40 013 56	7 50 013 56
8	4	Thread bolt	PE conductive	2 08 014 56	2 10 014 56	2 15 014 56	2 15 014 56
9	2	Valve stop, discharge valve	PE conductive	7 15 015 55	7 25 015 55	7 40 015 55	7 50 015 55
10	2	O-ring, valve stop discharge valve, code FE.	EPDM	9 24 625 72	9 38 626 72	9 57 627 72	9 76 628 72
		O-ring, valve stop discharge valve, code FN.	NBR	9 24 625 71	9 38 626 71	9 57 627 71	-
		O-ring, valve stop discharge valve, code FT.	FEP/FKM	9 24 625 59	9 38 626 59	9 57 627 59	9 76 628 59
11	2	Plug, side housing	PE conductive	7 15 017 55	7 25 017 55	7 40 017 55	7 50 017 55
12	2	O-ring, plug side housing, code FE.	EPDM	9 25 610 72	9 40 613 72	9 62 634 72	9 79 353 72
		O-ring, plug side housing, code FN.	NBR	9 25 610 71	9 40 613 71	9 62 634 71	-
		O-ring, plug side housing, code FT.	FEP/FKM	9 25 610 59	9 40 613 59	9 62 634 59	9 79 353 59
13	1	Plug, center housing	PE conductive	7 15 019 55	7 25 019 55	7 40 019 55	7 50 019 55
14	1	O-ring, plug center housing, code FE.	EPDM	9 33 632 72	9 50 633 72	9 62 634 72	9 73 635 72
		O-ring, plug center housing, code FN.	NBR	9 33 632 71	9 50 633 71	9 62 634 71	-
		O-ring, plug center housing, code FT.	FEP/FKM	9 33 632 59	9 50 633 59	9 62 634 59	9 73 635 59
15	4	Cylinder valve, code F.Z	PTFE	7 15 016 60	7 25 016 60	7 40 016 60	7 50 016 60
		Ball valve, code F.E	EPDM	1 15 032 72	1 25 032 72	1 40 032 72	1 50 032 72
		Ball valve, code F.N	NBR	1 15 032 71	1 25 032 71	1 40 032 71	-
		Ball valve, code F.S	SS	1 15 032 22	1 25 032 22	-	-
		Ball valve, code F.T	PTFE	1 15 032 60	1 25 032 60	1 40 032 60	1 50 032 60
16	4	Valve seat, ball valves	PE conductive	2 15 018 56	2 25 018 56	2 40 018 56	2 50 018 56
		Valve seat, cylinder valves	PE conductive	7 15 018 56	7 25 018 56	7 40 018 56	7 50 018 56
17	4	Shock absorbers	NR	1 15 322 85	1 15 322 85	1 40 322 85	1 40 322 85
18	2	Diaphragm, code FE.	EPDM	1 15 031 72	1 25 031 72	1 40 031 72	1 50 031 72
		Diaphragm, code FN.	NBR	1 15 031 70	1 25 031 70	1 40 031 70	-
		Diaphragm, code FT.	PTFE	1 15 031 67	1 25 031 67	1 40 031 67	1 50 031 67
19	*	Housing bolt, cpl.	1.4305	7 15 020 22	7 25 020 22	7 40 020 22	7 50 020 22
20	1	Shaft	1.4301	2 15 030 22	2 25 030 22	2 40 030 22	2 50 030 22
21	2	Set screw, shaft	1.4305	9 10 220 22	9 12 221 22	9 16 222 22	9 20 223 22
22	2	Shaft piston ring, cpl.	PTFE	1 15 041 64	1 25 041 64	1 40 041 64	1 50 041 64
23	1	Air inlet	PETP	1 15 047 84	1 15 047 84	1 40 047 84	1 40 047 84
24	1	Air filter	PE	1 15 043 51	1 15 043 51	1 40 043 51	1 40 043 51
25	1	Muffler, cpl.	Bz	1 15 244 34	1 15 244 34	1 40 244 34	1 40 244 34
26	1	PERSWING P® air control system, cpl.	PETP	2 15 001 84	2 15 001 84	2 40 001 84	2 50 201 84
27**	6	O-ring, air valve housing	NBR	9 35 504 71	9 35 504 71	9 46 515 71	9 66 533 71

* E 15 and E 25: 6 pieces; E 40 and E 50: 8 pieces ** included in item 26

Please see page 4 for explanation of the pump code.
When ordering please state the serial number of the pump.
For spare part lists for special equipments please see page 22 and the following ones.

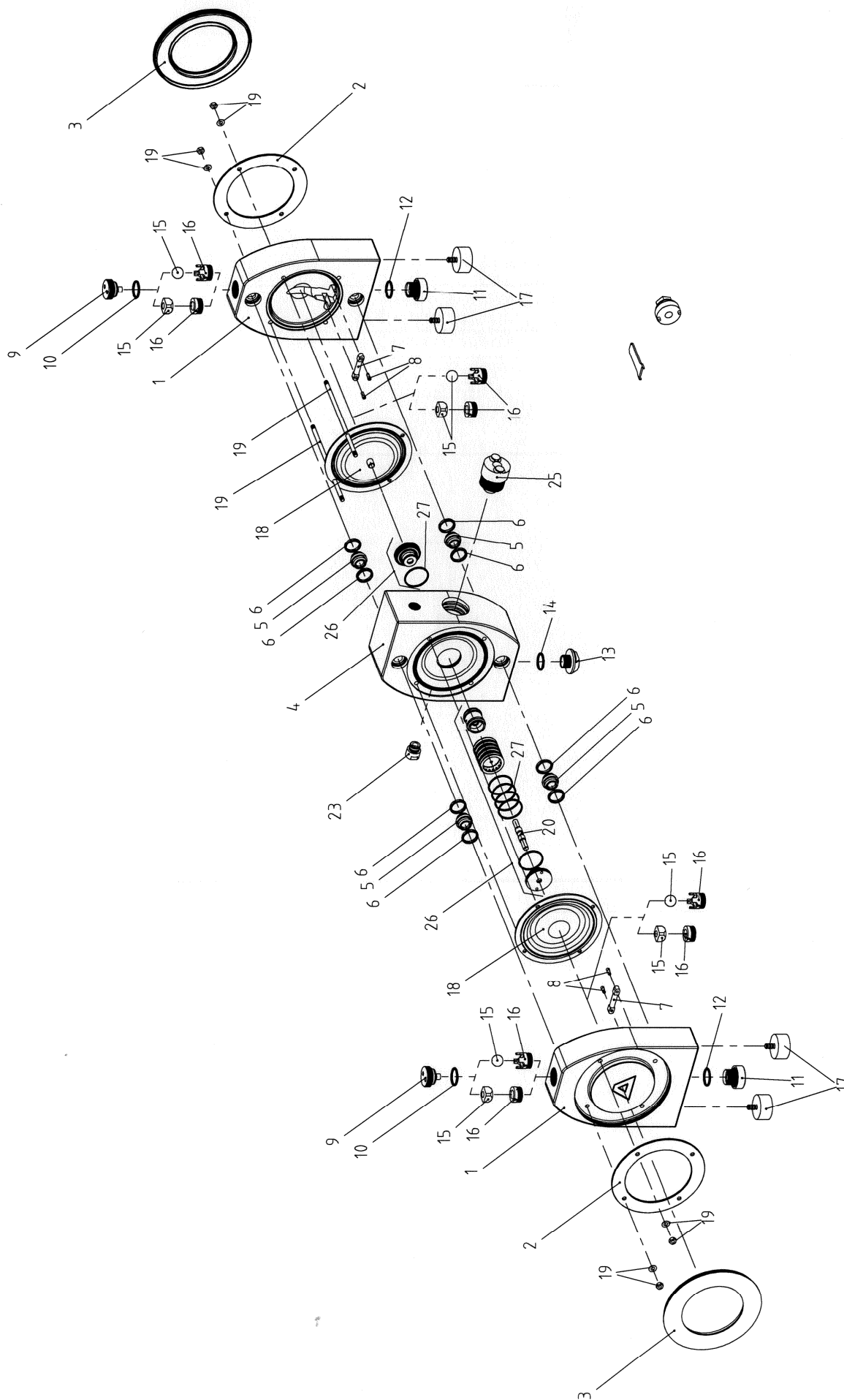
Spare part list ALMATEC E-Series, UEE – UTZ
Material housing parts: PTFE conductive

Size				E 08 U..	E 10 U..	E 15 U..	E 25 U..	E 40 U..	E 50 U..
Item	Pc.	Description	Material	Part-No.	Part-No.	Part-No.	Part-No.	Part-No.	Part-No.
1	2	Side housing	PTFE cond.	7 08 010 65	7 10 010 65	7 15 010 65	7 25 010 65	7 40 010 65	7 50 010 65
2	2	Tension disc	1.4301	7 08 008 22	7 10 008 22	7 15 008 22	7 25 008 22	7 40 008 22	7 50 008 22
3	2	Cover	PE conductive	7 08 009 55	7 10 009 55	7 15 009 55	7 25 009 55	7 40 009 55	7 50 009 55
4	1	Center housing	PTFE cond.	7 08 011 65	7 10 011 65	7 15 011 65	7 25 011 65	7 40 011 65	7 50 011 65
5	4	Sleeve	PTFE cond.	2 08 012 68	2 10 012 68	2 15 012 68	2 25 012 68	2 40 012 68	2 50 012 68
6	8	O-ring, sleeve, code UE.	EPDM	-	9 15 630 72	9 20 631 72	9 33 632 72	9 50 633 72	9 62 634 72
		O-ring, sleeve, code UN.	NBR	-	-	9 20 631 71	9 33 632 71	9 50 633 71	-
		O-ring, sleeve, code UT.	FEP/FKM	9 12 629 59	9 15 630 59	9 20 631 59	9 33 632 59	9 50 633 59	9 62 634 59
7	2	Lock bolt	PTFE cond.	7 08 013 65	7 10 013 65	7 15 013 65	7 25 013 65	7 40 013 65	7 50 013 65
8	4	Thread bolt	PTFE cond.	7 08 014 65	7 08 014 65	2 08 014 65	2 10 014 65	2 15 014 65	2 15 014 65
9	2	Valve stop, discharge valve	PTFE cond.	7 08 015 65	7 10 015 65	7 15 015 65	7 25 015 65	7 40 015 65	7 50 015 65
10	2	O-ring, valve stop discharge valve, code UE.	EPDM	-	9 19 624 72	9 24 625 72	9 38 626 72	9 57 627 72	9 76 628 72
		O-ring, valve stop discharge valve, code UN.	NBR	-	-	9 24 625 71	9 38 626 71	9 57 627 71	-
		O-ring, valve stop discharge valve, code UT.	FEP/FKM	9 16 623 59	9 19 624 59	9 24 625 59	9 38 626 59	9 57 627 59	9 76 628 59
11	2	Plug, side housing	PTFE cond.	7 08 017 65	7 10 017 65	7 15 017 65	7 25 017 65	7 40 017 65	7 50 017 65
12	2	O-ring, plug side housing, code UE.	EPDM	-	9 20 602 72	9 25 610 72	9 40 613 72	9 62 634 72	9 79 353 72
		O-ring, plug side housing, code UN.	NBR	-	-	9 25 610 71	9 40 613 71	9 62 634 71	-
		O-ring, plug side housing, code UT.	FEP/FKM	9 14 178 59	9 20 602 59	9 25 610 59	9 40 613 59	9 62 634 59	9 79 353 59
13	1	Plug, center housing	PTFE cond.	7 08 019 65	7 10 019 65	7 15 019 65	7 25 019 65	7 40 019 65	7 50 019 65
14	1	O-ring, plug center housing, code UE.	EPDM	-	9 20 631 72	9 33 632 72	9 50 633 72	9 62 634 72	9 73 635 72
		O-ring, plug center housing, code UN.	NBR	-	-	9 33 632 71	9 50 633 71	9 62 634 71	-
		O-ring, plug center housing, code UT.	FEP/FKM	9 20 631 59	9 20 631 59	9 33 632 59	9 50 633 59	9 62 634 59	9 73 635 59
15	4	Cylinder valve, code U.Z	PTFE	7 08 016 60	7 10 016 60	7 15 016 60	7 25 016 60	7 40 016 60	7 50 016 60
		Ball valve, code U.E	EPDM	1 10 032 72	4 15 032 72	1 15 032 72	1 25 032 72	1 40 032 72	1 50 032 72
		Ball valve, code U.N	NBR	-	-	1 15 032 71	1 25 032 71	1 40 032 71	-
		Ball valve, code U.S	SS	1 10 032 22	4 15 032 22	1 15 032 22	-	-	-
		Ball valve, code U.T	PTFE	1 10 032 60	4 15 032 60	1 15 032 60	1 25 032 60	1 40 032 60	1 50 032 60
16	4	Valve seat, ball valves	PTFE cond.	2 08 018 65	2 10 018 65	2 15 018 65	2 25 018 65	2 40 018 65	2 50 018 65
		Valve seat, cylinder valves	PTFE cond.	7 08 018 65	7 10 018 65	7 15 018 65	7 25 018 65	7 40 018 65	7 50 018 65
17	4	Shock absorbers	NR	1 08 322 85	1 08 322 85	1 15 322 85	1 15 322 85	1 40 322 85	1 40 322 85
18	2	Diaphragm, code UE.	EPDM	-	1 10 031 72	1 15 031 72	1 25 031 72	1 40 031 72	1 50 031 72
		Diaphragm, code UN.	NBR	-	-	1 15 031 70	1 25 031 70	1 40 031 70	-
		Diaphragm, code UT.	PTFE	1 08 031 67	1 10 031 67	1 15 031 67	1 25 031 67	1 40 031 67	1 50 031 67
19	*	Housing bolt, cpl.	1.4305	7 08 020 22	7 10 020 22	7 15 020 22	7 25 020 22	7 40 020 22	7 50 020 22
20	1	Shaft	1.4301	2 08 030 22**	2 08 030 22**	2 15 030 22	2 25 030 22	2 40 030 22	2 50 030 22
21	2	Set screw, shaft	1.4305	-	-	9 10 220 22	9 12 221 22	9 16 222 22	9 20 223 22
22	2	Shaft piston ring, cpl.	PTFE	-	-	1 15 041 64	1 25 041 64	1 40 041 64	1 50 041 64
23	1	Air inlet	PETP	1 08 047 84	1 08 047 84	1 15 047 84	1 15 047 84	1 40 047 84	1 40 047 84
24	1	Air filter	PE	-	-	1 15 043 51	1 15 043 51	1 40 043 51	1 40 043 51
25	1	Muffler, cpl.	PE/Bz	1 08 244 51	1 08 244 51	1 15 244 34	1 15 244 34	1 40 244 34	1 40 244 34
26	1	PERSWING P® air control system, cpl.	PETP	2 08 001 84	2 08 001 84	2 15 001 84	2 15 001 84	2 40 001 84	2 50 201 84
27**	6	O-ring, air valve housing	NBR	9 26 519 71	9 26 519 71	9 35 504 71	9 35 504 71	9 46 515 71	9 66 533 71

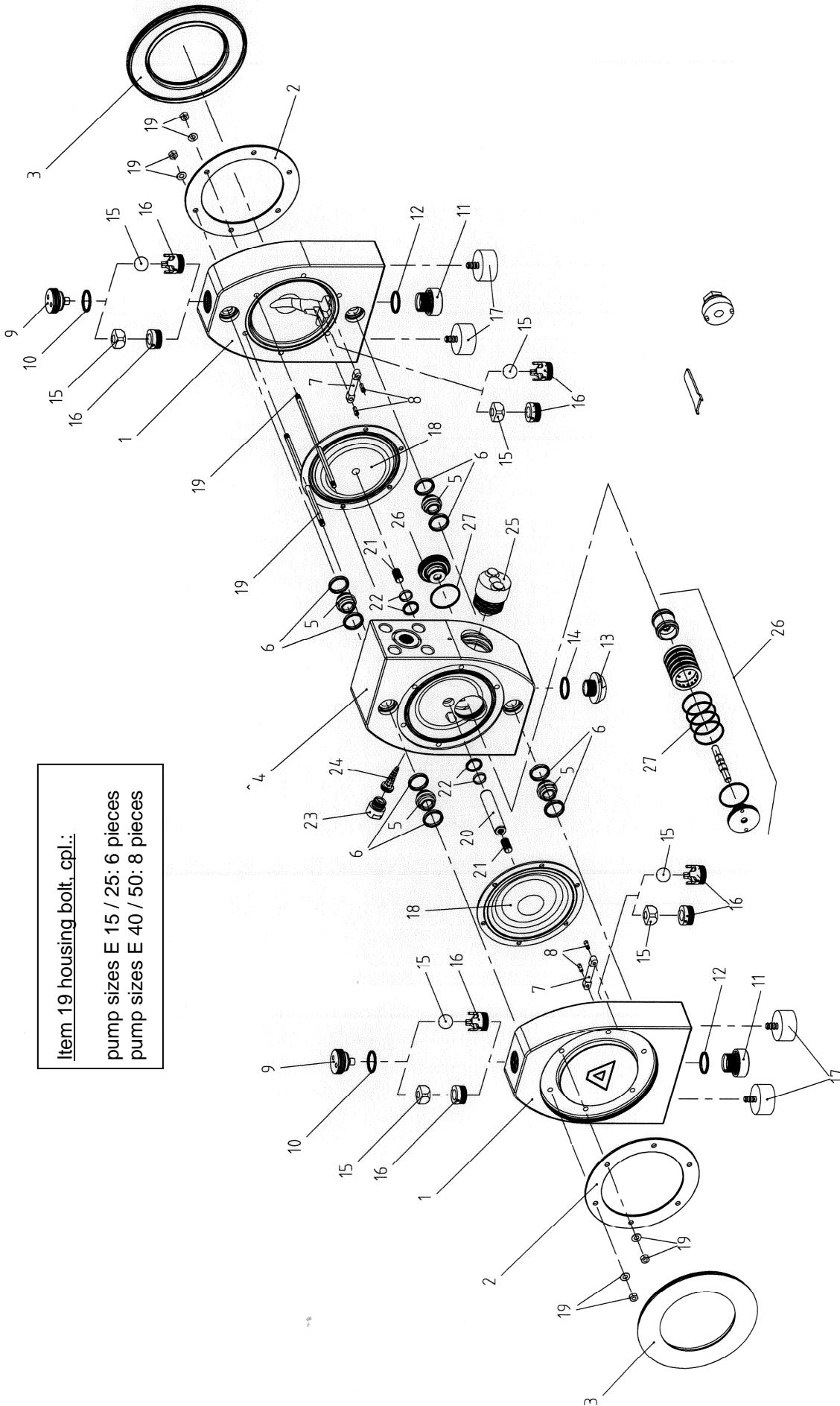
* E 08 and E 10: 4 pieces; E 15 and E 25: 6 pieces; E 40 and E 50: 8 pieces ** included in item 26

Please see page 4 for explanation of the pump code.
When ordering please state the serial number of the pump.
For spare part lists for special equipments please see page 22 and the following ones.

Exploded view pump sizes E 08 / E 10



Exploded view pump sizes E 15 / E 25 / E 40 / E 50



Optional equipment

For special requirements ALMATEC pneumatic diaphragm pumps of the E-Series can be furnished with several optional equipment. The pump code informs which of these are included in the pump. The code is noted on the identification plate on the pump. For the barrier chamber system (option code BS) a separate manual is available.

Stroke counting (option code C 2, C 3, C 4, C 9, C 10)

Code C 2 / C 3 / C 4



A sensor [50] is installed in the center pump housing [4] to count the strokes. The diaphragm movement is scanned without contact by this sensor: a safe form of monitoring totally independent of external influences and the pump's mode of operation. The issued sensor pulses can be output to existing detectors or to a stroke counter (can also be supplied). When the preset value is reached, the stroke counter outputs a signal which can then be processed further, for instance in order to shut down the pump via a solenoid valve.

The stroke counting system is available in three variations:

- C 2 Stroke sensor (Namur), also for explosion-proof zone
- C 3 Stroke counting system complete with sensor and stroke counter
- C 4 Stroke counting system complete with sensor, stroke counter and controller for explosion-proof zone

In case only the sensor is included (code C 2), it has to be connected to an existing controller with Namur inlet. For applications an explosion-proof device is required for (code C 4) the intrinsically safe controller has to be installed between the sensor and the counter. The wiring diagram and technical data can be found on the electric units themselves. For further details, please refer to the data delivered by the manufacturers of the components. The controllers have to be installed in a suitable cabinet.

Code C 9 / C 10

Differently from the optional equipment codes C 2 - C 4, the strokes of the pump are registered pneumatically on the codes C 9 / C 10. The pressure switch registers the changes in pressure within the air chamber behind one of the diaphragms and it converts the pneumatic impulse into an electrical signal.

The pneumatic stroke counting system is available in two types:

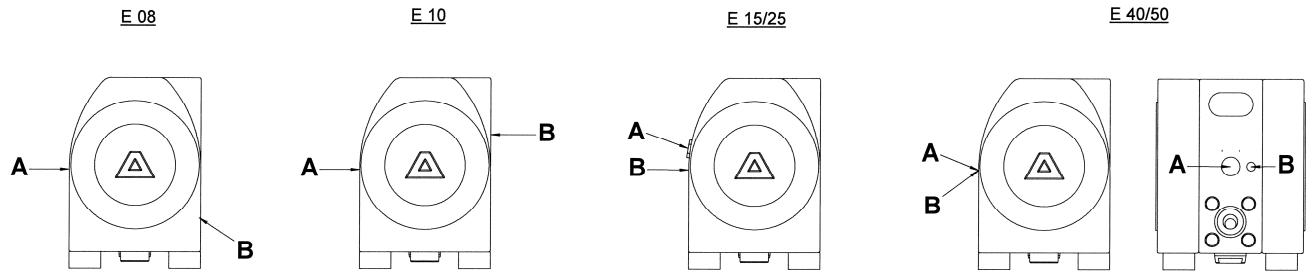
- C 9 consist of:
 - pressure switch, cpl. mounted, 1 – 10 bar
 - socket with cable 5 m
 - adaptor elbow NPT ¼ (or adaptor straight for pump sizes E 08 / E 10)
 - hose DN 4/6, 2,5 m
- C 10 consist of:
 - as C 9 and a stroke counter

For assembly screw the adaptor elbow (or adaptor straight for pump sizes E 08 / E 10) into the additional air connection of the pump (it is possible that the adaptor is already installed). The position of the air inlet varies depending on the pump type and the pump size (see comments below). Link up the adaptor and the pressure switch with the hose. Connect the socket to the electrical connection plug of the pressure switch and the cable to existing registering devices (code C 9) resp. to the enclosed stroke counter (code C 10). Technical data, connection schemes and further details can be found in the technical documentation delivered by the manufacturers of the pressure switch and the stroke counter.



The pneumatic stroke counting system requires a minimum air pressure of 1.5 bar for optimal function!

The air inlet for the pneumatic stroke counting system must not be confused with the actual air inlet of the pump. Therefore, you will find some advises adapted to the pump type and the pump size.



A = Air inlet for the pump, B = Air inlet for the pneumatic stroke counting system

Spare part list Stroke Counting					E 10	E 15	E 25	E 40	E 50
Code	Item	Pc.	Description	Material	Part-No.	Part-No.	Part-No.	Part-No.	Part-No.
C2	4*	1	Center housing for sensor, code E..	PE	-	7 15 111 51	7 25 111 51	7 40 111 51	7 50 111 51
			Center housing for sensor, code F..	PE conductive	-	7 15 111 55	7 25 111 55	7 40 111 55	7 50 111 55
			Center housing for sensor, code T..	PTFE	-	7 15 111 60	7 25 111 60	7 40 111 60	7 50 111 60
			Center housing for sensor, code U..	PTFE conductive	-	7 15 111 65	7 25 111 65	7 40 111 65	7 50 111 65
	50	1	Stroke sensor, Namur	diverse	-	1 00 072 99	1 00 072 99	1 00 072 99	1 00 072 99
	-	1	O-ring, stroke sensor	NBR	-	9 25 535 71	9 25 535 71	9 25 535 71	9 25 535 71
C3	-	1	as C 2, but additional: Clamp amplifier	diverse	-	1 00 171 99	1 00 171 99	1 00 171 99	1 00 171 99
	-	1	Stroke counter	diverse	-	1 00 071 99	1 00 071 99	1 00 071 99	1 00 071 99
C4	-	1	as C 2, but additional: Controller	diverse	-	1 00 370 99	1 00 370 99	1 00 370 99	1 00 370 99
	-	1	Stroke counter	diverse	-	1 00 071 99	1 00 071 99	1 00 071 99	1 00 071 99
C9	4*	1	Center housing with additional air connection R 1/4, code E..	PE	-	7 15 311 51	7 25 311 51	7 40 311 51	7 50 311 51
			Center housing with additional air connection R 1/4, code F..	PE conductive	-	7 15 311 55	7 25 311 55	7 40 311 55	7 50 311 55
			Center housing with additional air connection R 1/4, code T..**	PTFE	7 10 311 60	7 15 311 60	7 25 311 60	7 40 311 60	7 50 311 60
			Center housing with additional air connection R 1/4, code U..***	PTFE conductive	7 10 311 65	7 15 311 65	7 25 311 65	7 40 311 65	7 50 311 65
	-	1	Adaptor elbow (E 10 adaptor streight)	PP	1 00 877 51	1 00 875 51	1 00 875 51	1 00 875 51	1 00 875 51
	-	1	Hose	PE	1 00 876 51	1 00 876 51	1 00 876 51	1 00 876 51	1 00 876 51
	-	1	Pressure switch cpl.	diverse	1 00 972 99	1 00 972 99	1 00 972 99	1 00 972 99	1 00 972 99
-	1	Socket with cable	diverse	1 00 973 99	1 00 973 99	1 00 973 99	1 00 973 99	1 00 973 99	
C10	-	1	as C 9, but additional: Stroke counter	diverse	1 00 071 99	1 00 071 99	1 00 071 99	1 00 071 99	1 00 071 99

* Part-No. for center housings with ANSI connections on request
 ** Pump size E 08: 7 08 311 60 *** Pump size E 08: 7 08 311 65

Diaphragm monitoring (option code D 1, D 3)



Although ALMATEC diaphragms with integrated metal core are designed for an optimum service life, the diaphragm remains a wear part. If it breaks, liquid can leak into the center housing and possibly emerge through the muffler. This can be prevented simply and effectively with the ALMATEC diaphragm monitoring.

A capacitive diaphragm sensor is mounted in the muffler [25] of the pump, which registers any liquid approaching the sensor, no matter whether the liquid is conductive or not. Hence, a fast reaction to a damage of a diaphragm becomes possible. However, it has to be considered, that the diaphragm monitoring possibly cannot prevent that liquid can leave the pump via the muffler. For higher safety requirements the ALMATEC barrier chamber system (optional equipment code BS) is recommended. In case of humid surrounding air a false alert may occur despite operating the pump with dried compressed air.

The diaphragm monitoring system is available in two variations:

- D 1 Diaphragm sensor (Namur), also for explosion proof area
- D 3 Diaphragm monitoring system complete with sensor and controller

The diaphragm sensor can either be connected to an existing controller with Namur inlet (code D 1) or to the controller included (code D 3). The wiring diagram and technical data can be found on the controller itself. For further details, please refer to the data delivered by the manufacturers of the components. The controllers have to be installed in a suitable cabinet.

Spare part list Diaphragm Monitoring					E 10	E 15	E 25	E 40	E 50
Code	Item	Pc.	Description	Material	Part-No.	Part-No.	Part-No.	Part-No.	Part-No.
D1	51	1	Diaphragm sensor, Namur	diverse	1 00 773 99	1 00 773 99	1 00 773 99	1 00 773 99	1 00 773 99
D3	51	1	Diaphragm sensor, Namur	diverse	1 00 773 99	1 00 773 99	1 00 773 99	1 00 773 99	1 00 773 99
	-	1	Controller	diverse	1 00 370 99	1 00 370 99	1 00 370 99	1 00 370 99	1 00 370 99

Flange connections (option code F 3, F 4, F 5)



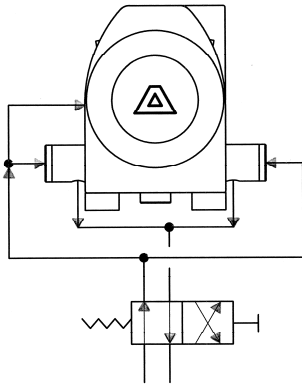
This version offers the possibility to use flange connectors according to DIN/PN 10. Thread bushings made of stainless steel (code F 3/F 4/F 5) to fix the flanges are included in the center housing. The O-rings attached have to be inserted into the grooves of the manifolds to improve sealing before connecting the pump. The O-rings, flanges [30] are made of EPDM (code F 3), FEP (code

F 4) or NBR (code F 5).

Pump size	E 15	E 25	E 40	E 50
Torque values for flange connections (Nm)	4	5	12	15

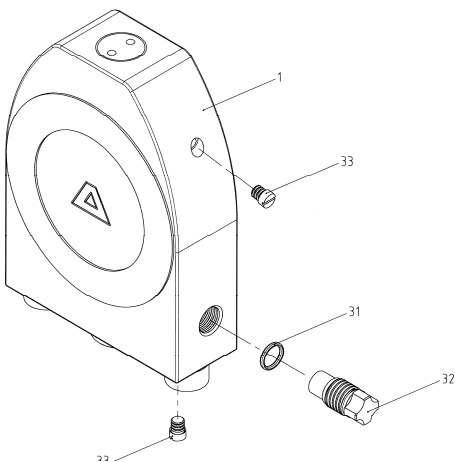
Spare part list Flange Connection					E 15	E 25	E 40	E 50
Code	Item	Pc.	Description	Material	Part-No.	Part-No.	Part-No.	Part-No.
F3	-	12	Thread bushing, center housing DIN	1.4305	2 15 169 22	2 15 169 22	2 40 169 22	2 40 169 22
	30	2	Flange-O-ring, center housing DIN	EPDM	9 33 632 72	9 50 633 72	9 62 634 72	9 73 635 72
F3w	-	12	Thread bushing, center housing ANSI	1.4305	3 15 069 22	3 15 069 22	3 15 069 22	3 25 069 22
	30	2	Flange-O-ring, center housing ANSI	EPDM	9 23 588 72	9 40 613 72	9 62 634 72	9 73 635 72
F4	-	12	Thread bushing, center housing DIN	1.4305	2 15 169 22	2 15 169 22	2 40 169 22	2 40 169 22
	30	2	Flange-O-ring, center housing DIN	FEP/FKM	9 33 632 59	9 50 633 59	9 62 634 59	9 73 635 59
F4w	-	12	Thread bushing, center housing ANSI	1.4305	3 15 069 22	3 15 069 22	3 15 069 22	3 25 069 22
	30	2	Flange-O-ring, center housing ANSI	FEP/FKM	9 23 588 59	9 40 613 59	9 62 634 59	9 73 635 59
F5	-	12	Thread bushing, center housing DIN	1.4305	2 15 169 22	2 15 169 22	2 40 169 22	-
	30	2	Flange-O-ring, center housing DIN	NBR	9 33 632 71	9 50 633 71	9 62 634 71	-
F5w	-	12	Thread bushing, center housing ANSI	1.4305	3 15 069 22	3 15 069 22	3 15 069 22	-
	30	2	Flange-O-ring, center housing ANSI	NBR	9 23 588 71	9 40 613 71	9 62 634 71	-

Draining system (option code R 1, R 2, R 3, R 4, R 5, R 6)

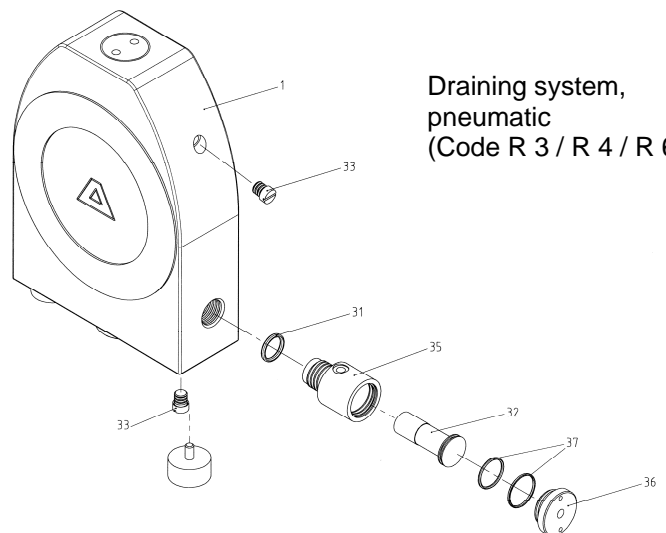


A pump equipped with the unique ALMATEC draining system can be emptied along with an inclining discharge line while being installed within the plant. The system is not appropriate to flush the pump with another liquid, nor from suction nozzle nor from discharge connection. It consists of a bypass-system in the side housings [1], which can be activated by manual valves (code R 1/R 2/R 5) or pneumatically (code R 3/R 4/R 6). Open the manual valves (code R 1/R 2/R 5) by approx. 10 mm by turning to the left (Attention: As there is no blocking of the valves, it has to be ensured not to take them out completely). The pump should be kept in operation meanwhile. Slow down the pump slowly and finally stop it. The drawing on the left illustrates the connection schedule for the air supply of a pump with the pneumatic draining system (code R 3/R 4/R 6, minimum air pressure 3 bar). By attaching a 4-2-way valve (not included in the delivery), the draining system can be activated automatically when cutting off the pump. The O-rings side housing are made of EPDM (code R 1/R 3), FEP (code R 2/R 4) or NBR (code R 5/R 6).

Spare part list Draining System					E 15	E 25	E 40	E 50
Code	Item	Pc.	Description	Material	Part-No.	Part-No.	Part-No.	Part-No.
R1	1	2	Side housing for back flushing system, code E..	PE	7 15 110 51	7 25 110 51	7 40 110 51	7 50 110 51
			Side housing for back flushing system, code F..	PE conductive	7 15 110 55	7 25 110 55	7 40 110 55	7 50 110 55
			Side housing for back flushing system, code T..	PTFE	7 15 110 60	7 25 110 60	7 40 110 60	7 50 110 60
			Side housing for back flushing system, code U..	PTFE conductive	7 15 110 65	7 25 110 65	7 40 110 65	7 50 110 65
	31	2	O-ring, side housing	EPDM	9 20 631 72	9 20 631 72	9 33 632 72	9 33 632 72
	32	2	Drain plug	PTFE	2 15 023 60	2 15 023 60	2 40 023 60	2 40 023 60
	33	4	Plug	PTFE	7 15 022 60	7 15 022 60	7 40 022 60	7 40 022 60
R2	31	2	as R 1, but: O-ring, side housing	FEP/FKM	9 20 631 59	9 20 631 59	9 33 632 59	9 33 632 59
R3	32	2	as R 1, but: Piston	PTFE	2 15 024 60	2 15 024 60	2 40 024 60	2 40 024 60
	35	2	Piston housing	PE conductive	2 15 025 55	2 25 025 55	2 40 025 56	2 50 025 56
	36	2	Piston cover	PE conductive	2 15 026 55	2 15 026 55	2 40 026 55	2 40 026 55
	37	4	O-ring, piston and piston cover	NBR/EPDM	9 28 534 71	9 28 534 71	9 37 603 72	9 37 603 72
R4	31	2	as R 3, but: O-ring, side housing	FEP/FKM	9 20 631 59	9 20 631 59	9 33 632 59	9 33 632 59
R5	31	2	as R 1, but: O-ring, side housing	NBR	9 20 631 71	9 20 631 71	9 33 632 71	-
R6	31	2	as R 3, but: O-ring, side housing	NBR	9 20 631 71	9 20 631 71	9 33 632 71	-



Draining system, hand-operated
(Code R 1 / R 2 / R 5)



Draining system, pneumatic
(Code R 3 / R 4 / R 6)

Diaphragm made of modified PTFE (option code P)

For media with increased diffusion tendency (e.g. benzene, solvents) as well as for application with priming out of a vacuum PTFE/EPDM compound diaphragms made of modified PTFE are available.

Spare part list Code P					E 15	E 25	E 40	E 50
Code	Item	Pc.	Description	Material	Part-No.	Part-No.	Part-No.	Part-No.
P	18	2	Diaphragm made of modified PTFE	PTFE mod.	1 15 031 98	1 25 031 98	1 40 031 98	1 50 031 98

Center housing with ANSI connections (option code W)

As standard the connections in the center housing [4] are prepared for a DIN flange connection, but it is possible to order a preparation for ANSI flange connection also. So together with the appropriate code F ANSI flange connection with thread bushings and flange-O-rings is available.

Spare part list ANSI Center Housing					E 15	E 25	E 40	E 50
Code	Item	Pc.	Description	Material	Part-No.	Part-No.	Part-No.	Part-No.
W	4	1	Center housing ANSI, code E..	PE	7 15 411 51	7 25 411 51	7 40 411 51	7 50 411 51
			Center housing ANSI, code F..	PE conductive	7 15 411 55	7 25 411 55	7 40 411 55	7 50 411 55
			Center housing ANSI, code T..	PTFE	7 15 411 60	7 25 411 60	7 40 411 60	7 50 411 60
			Center housing ANSI, code U..	PTFE conductive	7 15 411 65	7 25 411 65	7 40 411 65	7 50 411 65

External control (option code Z)

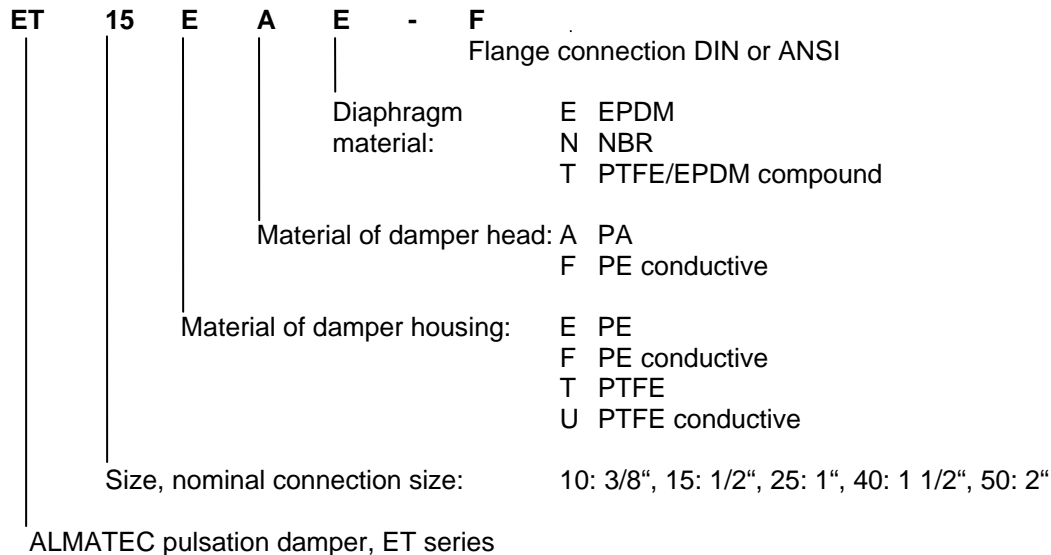
Such a pump has neither an air control system nor a muffler, but can be controlled externally via a solenoid valve. The center housing has two separate air connections to ventilate and exhaust both working chambers. The solenoid valve is not part of the delivery. If the pump is equipped with this code, a separate spare part list is attached.

ALMATEC Pulsation Dampers, ET Series and ET-F Series

The ALMATEC pulsation dampers series ET and ET-F represents the latest generation of active pulsation dampers. They are specially designed to be used along with ALMATEC air-operated double diaphragm pumps of the E-Series. A general aspect to be considered is, that a pulsation damper decreases the total capacity of the system depending on the point of operation.

Before putting an ALMATEC pulsation damper into operation, make sure, that the materials of construction are resistant to the chemical to be pumped. To check this, the exact damper code is required. This code, the serial number and the year of construction are noted on the identification plates on the damper itself.

Example of the damper type code:



Air supply connection: ET 10 - ET 25: R 1/8", ET 40 / ET 50: R 1/4"

Max. operating pressure: 7 bar

Max. operating temperature: for damper housing in PE 70°C
for damper housing in PTFE size ET 10 100°C, for the other sizes 120°C (with damper head in PE conductive 80°C)

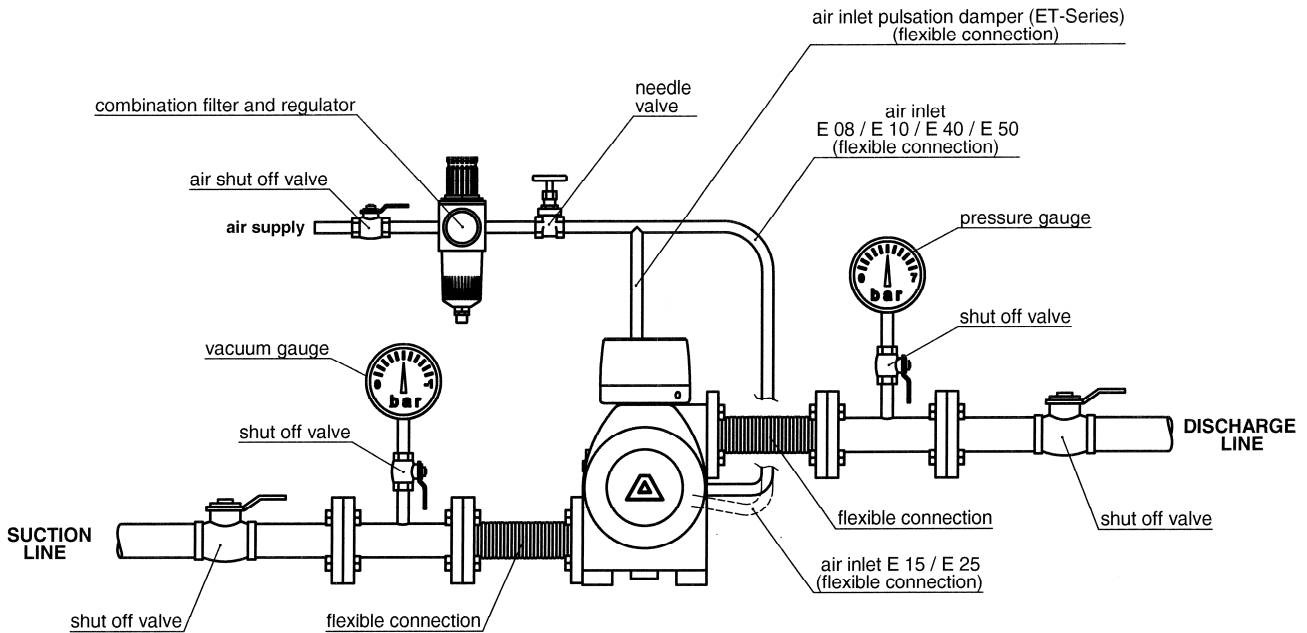
For inflammable liquids as well as for applications in explosion protected areas, only dampers made of conductive plastic materials (code F resp. U) may be used. It is not necessary to ground the damper separately, as the damper is connected conductively to the E-Series pump, which is conductive and has to be grounded itself (please see ATEX hints on page 4).

In general, pump and damper are dispatched completely mounted. Still, they can be packed in separate boxes, especially for the bigger sizes. If so, the damper has to be screwed into the thread at the top of the center housing carefully, but only until the damper is in contact with the pump. Exceeded tightening may damage the thread. Besides, a correct positioning of the O-ring [10] within the groove has to be ensured.

An ALMATEC ET-damper can easily be attached to an E-Series pump at any time without changes of the piping, provided that the pump is configurated with product ports both horizontally. Make sure that the plug, center housing (Pos. 13 in the exploded view of the pump) is in the right position. For pumps delivered without dampers, this plug can be found at the bottom side of the pump generally. Therefore, the center housing has to be turned 180°, to get the plug to the top of the pump. Take the plug out, insert the flange-O-ring [10] and screw the damper onto the pump. When dismounting a pump which is already being in use, take care of the warning advices on pages 8/9 of this manual.

Before connecting the pump, take the yellow blind plugs out of air inlet which is located on the top of the damper head [3]. For correct operation, the damper absolutely needs an air-supply of its own, which has to be taken from the air-supply of the pump. Pump and pulsation damper have to be connected to the same air pressure. No stop or regulating valve may be placed between pump and damper. The driving air has to be oil-free, dry and clean. The damper requires a minimum counter pressure of at least 1 bar for optimal function. Together with the pump an empty damper has to be driven slowly. The dampers are self-regulating for all

changing operating conditions.



- Do not use any threadseal for the connection of pump and damper, otherwise the threads could be damaged.
- Before putting the pulsation damper into operation as well as after some hours of operating, the housing bolts [6] have to be tightened according to the torque data of the following schedule, as the elements of construction tend to "settle". Fixing the bolts is necessary as well after longer periods of stoppage, at extreme temperature variations, transport and after dismantling.
- Pressure tests of the plant a pump and a damper are included in may only be carried out with the aggregate (pump and damper) disconnected from the pressure on both ports or by using the pressure the aggregate develops while operating. The load of a pressure in the plant may damage the pump and the pulsation damper.
- Before starting to disassemble the pump, take care that pump and damper have been emptied and rinsed. Further both have to be cut off from any energy on the air and product side. If pump and damper is being deported from the plant, a reference about the delivered liquid has to be attached.
- Please respect the relevant additional security advices, if the pump and the damper have been used for aggressive, dangerous or toxic liquids.
- Before putting the pump and the damper back into operation, the tightness of both has to be checked.
- For further warning instructions, please refer to the pages 9-11.

Damper size	ET 10	ET 15	ET 25	ET 40	ET 50
Torque values for housing bolts (Nm):					
PE damper	-	3	6	10	11
PTFE damper	2	3	6	10	11

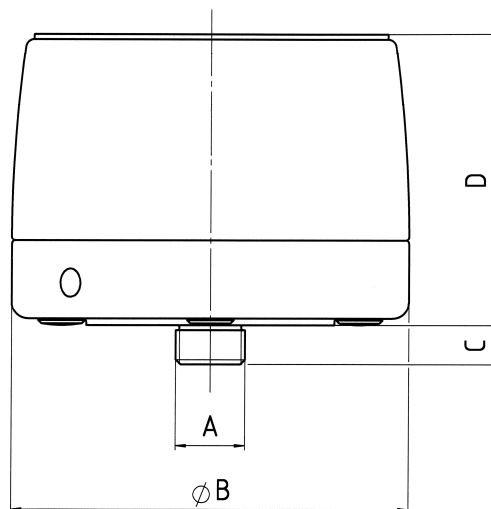
Hints for disassembly of an ET pulsation damper

Pull out the cover [5]. Unscrew housing bolts [6] carefully. After that, all parts can be removed. Screw the diaphragm [2] off the actuator shaft [7]. A re-assembly of used piston rings [8] is impossible; they have to be replaced including the O-rings underneath. To assemble new piston rings [8] carefully shape them like kidneys with locking ring pliers and insert the rings into the grooves; completely press the rings into the grooves smoothly using some round tool.

Spare part list Damper ET				ET 10	ET 15	ET 25	ET 40	ET 50
Item	Pc.	Description	Material	Part-No.	Part-No.	Part-No.	Part-No.	Part-No.
1	1	Damper housing, code E..	PE	-	7 15 080 52	7 25 080 52	7 40 080 52	7 50 080 52
		Damper housing, code F..	PE conductive	-	7 15 080 56	7 25 080 56	7 40 080 56	7 50 080 56
		Damper housing, code T..	PTFE	7 10 080 69	7 15 080 69	7 25 080 69	7 40 080 60	7 50 080 60
		Damper housing, code U..	PTFE conductive	7 10 080 68	7 15 080 68	7 25 080 68	7 40 080 65	7 50 080 65
2	1	Diaphragm, code ..E	EPDM	-	1 10 031 72	1 15 031 72	1 25 031 72	1 40 031 72
		Diaphragm, code ..N	NBR	-	1 10 031 70	1 15 031 70	1 25 031 70	1 40 031 70
		Diaphragm, code ..T	PTFE	1 08 031 67	1 10 031 67	1 15 031 67	1 25 031 67	1 40 031 67
		Diaphragm, code ..T - P	PTFE-mod.	-	-	1 15 031 98	1 25 031 98	1 40 031 98
3	1	Damper head, code .A.	PA	7 10 081 53	7 15 081 53	7 25 081 53	7 40 081 53	7 50 081 53
		Damper head, code .F.	PE conductive	7 10 081 55	7 15 081 55	7 25 081 55	7 40 081 55	7 50 081 55
4	1	Tension disc	1.4301	7 08 008 22	7 10 008 22	7 15 008 22	7 25 008 22	7 40 008 22
5	1	Cover, code .A.	PE	7 08 009 51	7 10 009 51	7 15 009 51	7 25 009 51	7 40 009 51
		Cover, code .F.	PE conductive	7 08 009 55	7 10 009 55	7 15 009 55	7 25 009 55	7 40 009 55
6	*	Housing bolt, cpl.	1.4301	7 10 083 22	7 15 083 22	7 25 083 22	7 40 083 22	7 50 083 22
7	1	Actuator shaft	1.4301	1 08 482 22	1 10 482 22	1 15 482 22	1 25 482 22	1 40 482 22
8	3	Shaft piston ring, cpl.	PTFE	1 08 041 64	1 08 041 64	1 15 041 64	1 25 041 64	1 40 041 64
9	1	Muffler	PE	1 08 644 51	1 08 644 51	1 15 644 51	1 25 644 51	1 40 644 51
10	1	Flange-O-ring, center housing DIN, code ..E	EPDM	9 20 631 72	9 33 632 72	9 50 633 72	9 62 634 72	9 73 635 72
		Flange-O-ring, center housing DIN, code ..N	NBR	-	9 33 632 71	9 50 633 71	9 62 634 71	9 73 635 71
		Flange-O-ring, center housing DIN, code ..T	FEP/FKM	9 20 631 59	9 33 632 59	9 50 633 59	9 62 634 59	9 73 635 59
		Flange-O-ring, center housing ANSI, code ..E	EPDM	9 20 631 72	9 23 588 72	9 40 613 72	9 62 634 72	9 73 635 72
		Flange-O-ring, center housing ANSI, code ..N	NBR	-	9 23 588 71	9 40 613 71	9 62 634 71	9 73 635 71
		Flange-O-ring, center housing ANSI, code ..T	FEP/FKM	9 20 631 59	9 23 588 59	9 40 613 59	9 62 634 59	9 73 635 59

* ET 10 and ET 15: 4 pieces; ET 25 and ET 40: 6 pieces; ET 50: 8 pieces

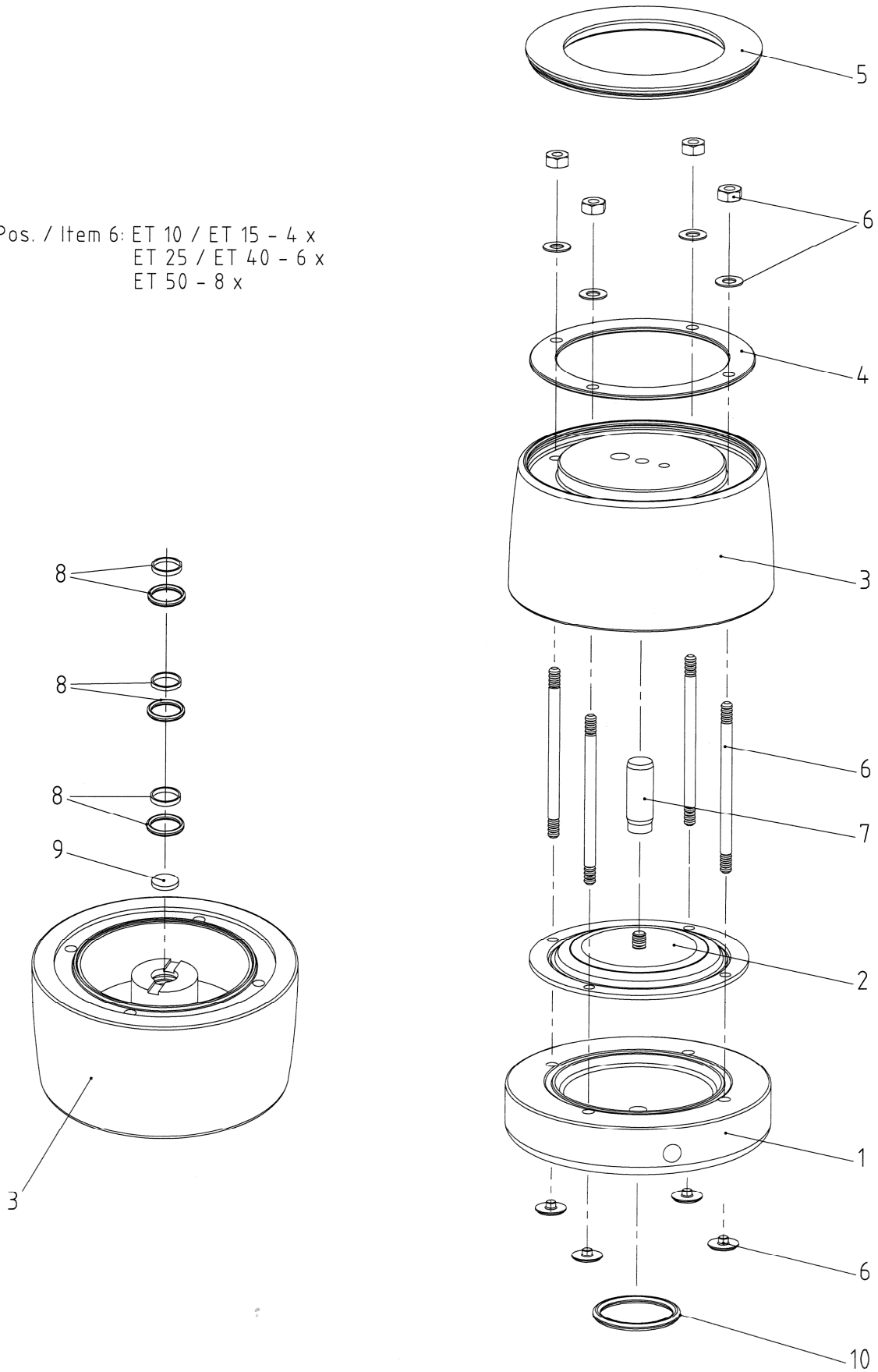
Dimensions pulsation damper ET (in mm)



	A	B	C	D
ET 10	NPT 3/8"	85	11	79
ET 15	NPT 1/2"	120	12	89
ET 25	NPT 1"	170	14	133
ET 40	NPT 1 1/2"	220	16	162
ET 50	NPT 2"	285	18	222

Exploded view pulsation damper ET

Pos. / Item 6: ET 10 / ET 15 - 4 x
 ET 25 / ET 40 - 6 x
 ET 50 - 8 x



Additional hints for pulsation damper series ET-F (flange version)

Beside the screwed pulsation damper as standard flange versions (series ET-F) are available also. In general, pump and damper are dispatched completely mounted. Still, they can be packed in separate boxes, especially for the bigger sizes. If so, use the attached nuts, set screws, washers and discs [11-14] to flange the damper to the pump.

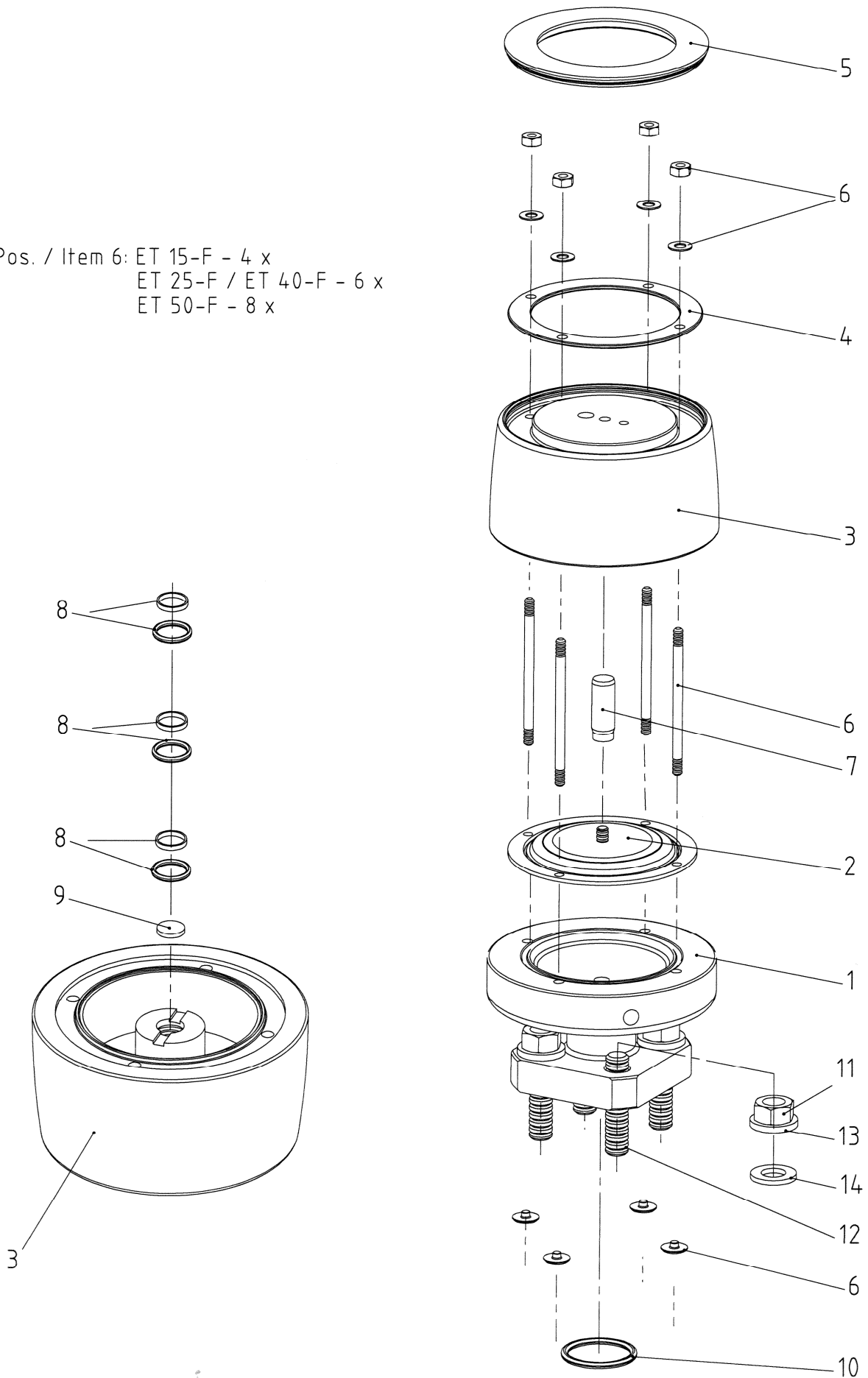
Pump size	ET 15	ET 25	ET 40	ET 50
Torque values for flange connections (Nm)	4	5	12	15

Spare part list Flange Damper ET-F				ET 15 - F	ET 25 - F	ET 40 - F	ET 50 - F
Item	Pc.	Description	Material	Part-No.	Part-No.	Part-No.	Part-No.
1	1	Damper housing DIN, code E..	PE	7 15 180 52	7 25 180 52	7 40 180 52	7 50 180 52
		Damper housing DIN, code F..	PE conductive	7 15 180 56	7 25 180 56	7 40 180 56	7 50 180 56
		Damper housing DIN, code T..	PTFE	7 15 180 69	7 25 180 69	7 40 180 69	7 50 180 69
		Damper housing DIN, code U..	PTFE cond.	7 15 180 68	7 25 180 68	7 40 180 68	7 50 180 68
		Damper housing ANSI, code E..-W	PE	7 15 280 52	7 25 280 52	7 40 280 52	7 50 280 52
		Damper housing ANSI, code F..-W	PE conductive	7 15 280 56	7 25 280 56	7 40 280 56	7 50 280 56
		Damper housing ANSI, code T..-W	PTFE	7 15 280 69	7 25 280 69	7 40 280 69	7 50 280 69
		Damper housing ANSI, code U..-W	PTFE cond.	7 15 280 68	7 25 280 68	7 40 280 68	7 50 280 68
2	1	Diaphragm, code ..E	EPDM	1 10 031 72	1 15 031 72	1 25 031 72	1 40 031 72
		Diaphragm, code ..N	NBR	1 10 031 70	1 15 031 70	1 25 031 70	1 40 031 70
		Diaphragm, code ..T	PTFE	1 10 031 67	1 15 031 67	1 25 031 67	1 40 031 67
		Diaphragm, code ..T - P	PTFE-mod.	-	1 15 031 98	1 25 031 98	1 40 031 98
3	1	Damper head, code .A.	PA	7 15 081 53	7 25 081 53	7 40 081 53	7 50 081 53
		Damper head, code .F.	PE conductive	7 15 081 55	7 25 081 55	7 40 081 55	7 50 081 55
4	1	Tension disc	1.4301	7 10 008 22	7 15 008 22	7 25 008 22	7 40 008 22
5	1	Cover, code .A.	PE	7 10 009 51	7 15 009 51	7 25 009 51	7 40 009 51
		Cover, code .F.	PE conductive	7 10 009 55	7 15 009 55	7 25 009 55	7 40 009 55
6	*	Housing bolt, cpl.	1.4301	7 15 083 22	7 25 083 22	7 40 083 22	7 50 083 22
7	1	Actuator shaft	1.4301	1 10 482 22	1 15 482 22	1 25 482 22	1 40 482 22
8	3	Shaft piston ring, cpl.	PTFE	1 08 041 64	1 15 041 64	1 25 041 64	1 40 041 64
9	1	Muffler	PE	1 08 644 51	1 15 644 51	1 25 644 51	1 40 644 51
10	1	Flange-O-ring, center housing DIN, code ..E	EPDM	9 33 632 72	9 50 633 72	9 62 634 72	9 73 635 72
		Flange-O-ring, center housing DIN, code ..N	NBR	9 33 632 71	9 50 633 71	9 62 634 71	9 73 635 71
		Flange-O-ring, center housing DIN, code ..T	FEP/FKM	9 33 632 59	9 50 633 59	9 62 634 59	9 73 635 59
		Flange-O-ring, center housing ANSI, code ..E	EPDM	9 23 588 72	9 40 613 72	9 62 634 72	9 73 635 72
		Flange-O-ring, center housing ANSI, code ..N	NBR	9 23 588 71	9 40 613 71	9 62 634 71	9 73 635 71
		Flange-O-ring, center housing ANSI, code ..T	FEP/FKM	9 23 588 59	9 40 613 59	9 62 634 59	9 73 635 59
11	4	Hexagon nut DIN 934	1.4305	9 12 101 22	9 12 101 22	9 16 101 22	9 16 101 22
12	4	Set screw DIN 913	1.4305	9 12 225 22	9 12 225 22	9 16 226 22	9 16 227 22
13	4	Spring washer DIN 2093	1.4301	9 12 154 22	9 12 154 22	9 08 154 22	9 08 154 22
14	4	Disc DIN 125	1.4301	9 13 151 22	9 13 151 22	9 17 151 22	9 17 151 22

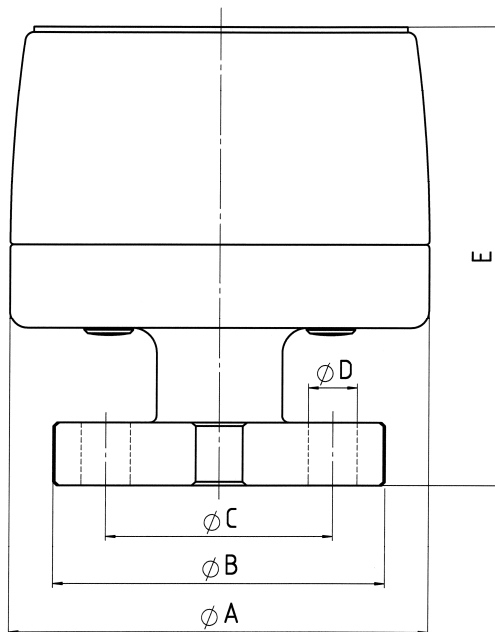
*ET 15 -F: 4 pieces; ET 25 -F and ET 40 -F: 6 pieces; ET 50 -F: 8 pieces

Exploded view pulsation damper ET-F (flange version)

Pos. / Item 6: ET 15-F - 4 x
ET 25-F / ET 40-F - 6 x
ET 50-F - 8 x



Dimensions pulsation damper ET-F (flange version) in mm



	A	B	C	D	E
ET-F 15	120	95	65	14	132
ET-F 25	170	115	85	14	176
ET-F 40	220	150	110	18	215
ET-F 50	285	165	125	18	280