

# Multi Stage MS8

## Backward Curved, Single Inlet Centrifugal Fans

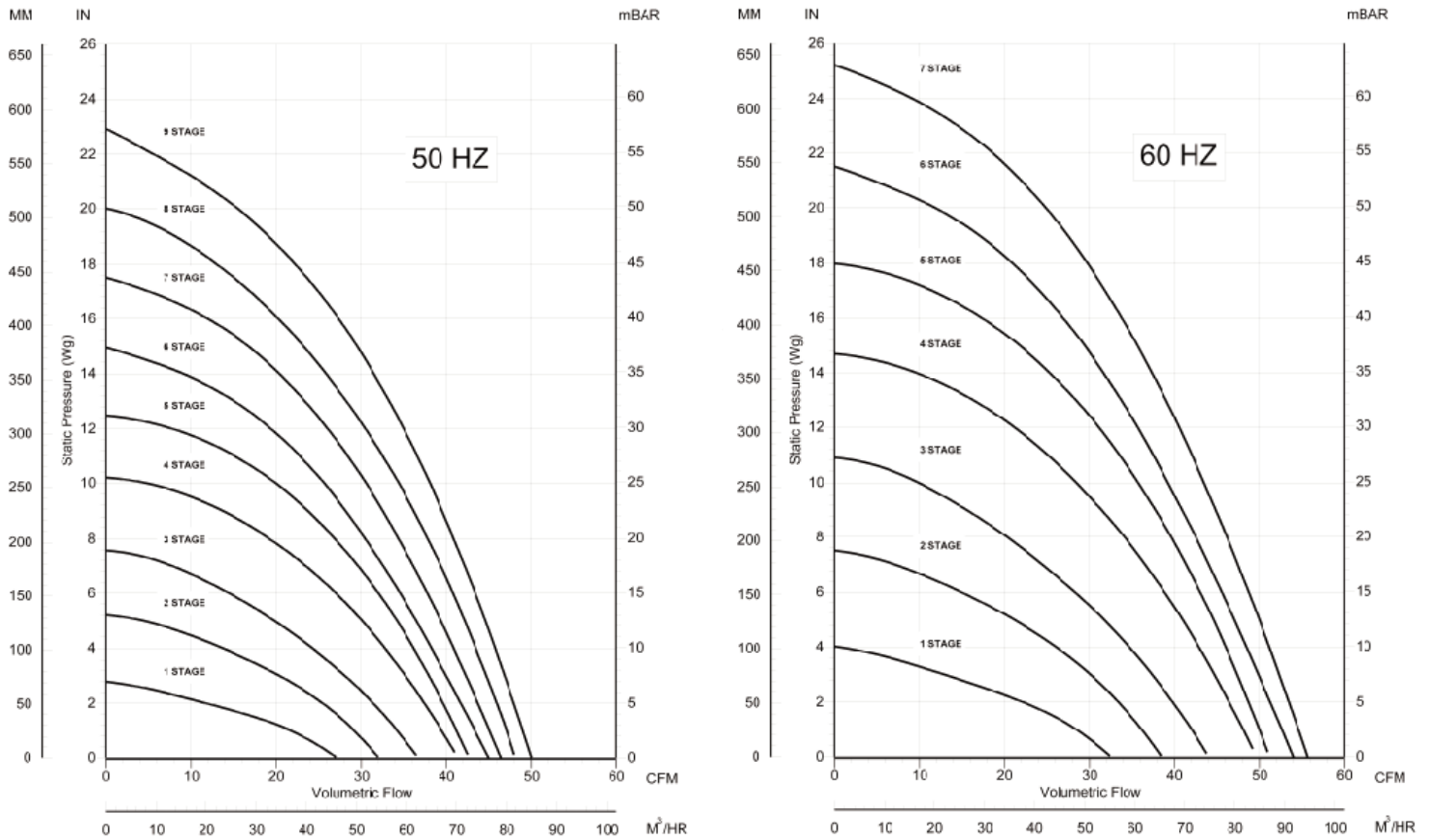
### General Characteristics:



[Please note - images above may not be representative of the unit supplied]

<b>Motor type:</b>	Induction type, 1Ph, capacitor start and run		
<b>Nominal Supply:</b>	<b>Volts</b>	<b>Ph</b>	<b>Hz</b>
	100	1	50/60
	115	1	50/60
	115	1	400
	110-120	1	60
	220-240	1	50
	380	3	70
	380-480	3	50/60
	(380-420/220-240	3	50/60
	440-480/250-280)		
220-250/380-400	3	50	
<b>Options:</b>	Inlet and discharge guards, Sockets (BSP fittings), Inlet spigots, Hose, Adaptors, Filtered inlets, Speed controllers		
<b>Materials:</b>	Inlets & Fanscrolls: White polyester resin Impellers: Aluminium 1200 H14 Stators: White polyester resin		
<b>Bearings:</b>	Ball type, lubricated for life		
<b>Mounting options:</b>	Build-in- type / with feet / floor-stand		
<b>Noise levels:</b>	82dB(A) Free Air, 1M		

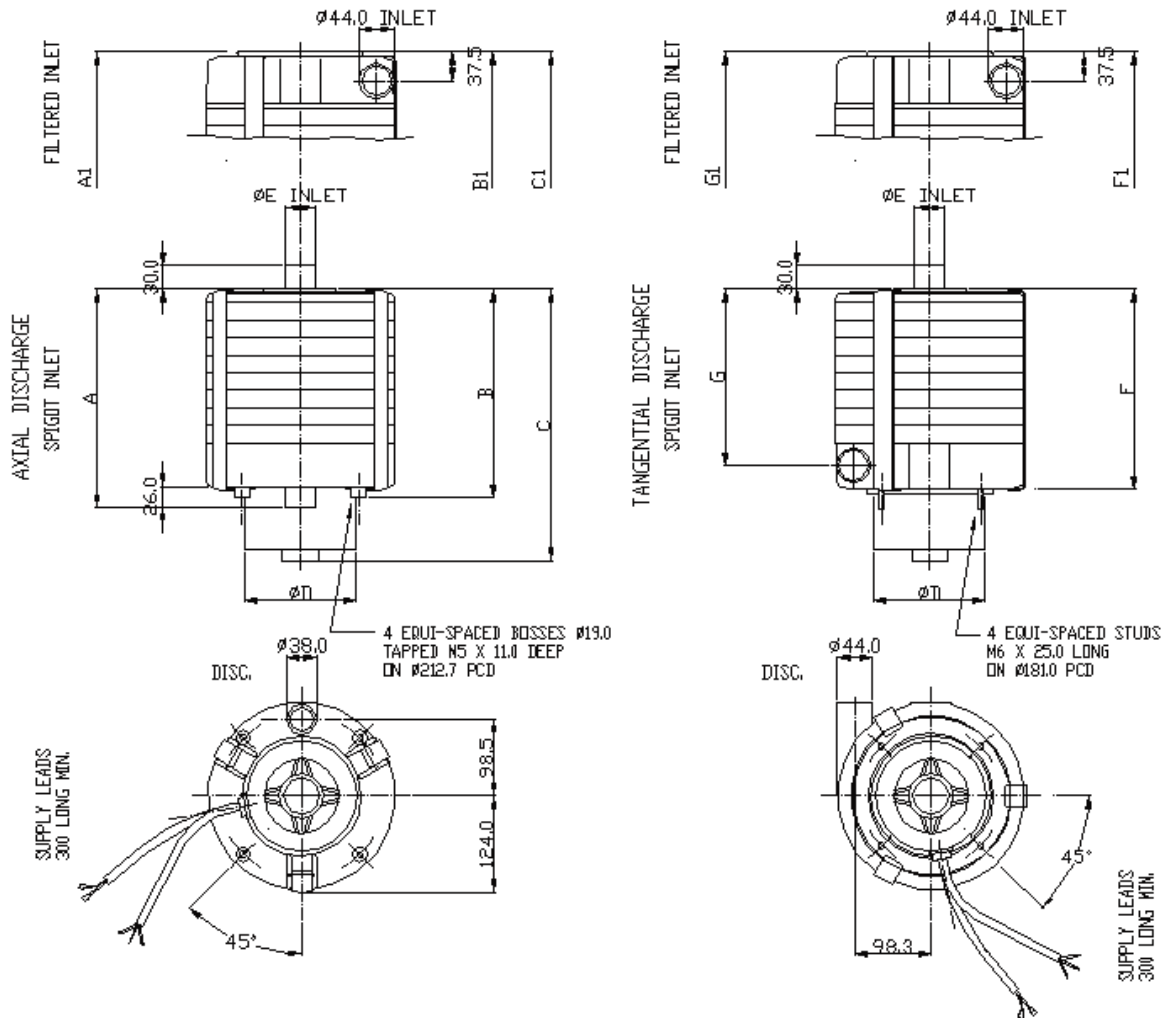
### Performance Details:



# Multi Stage MS8

## Backward Curved, Single Inlet Centrifugal Fans

Outline Dimension details (build in type):

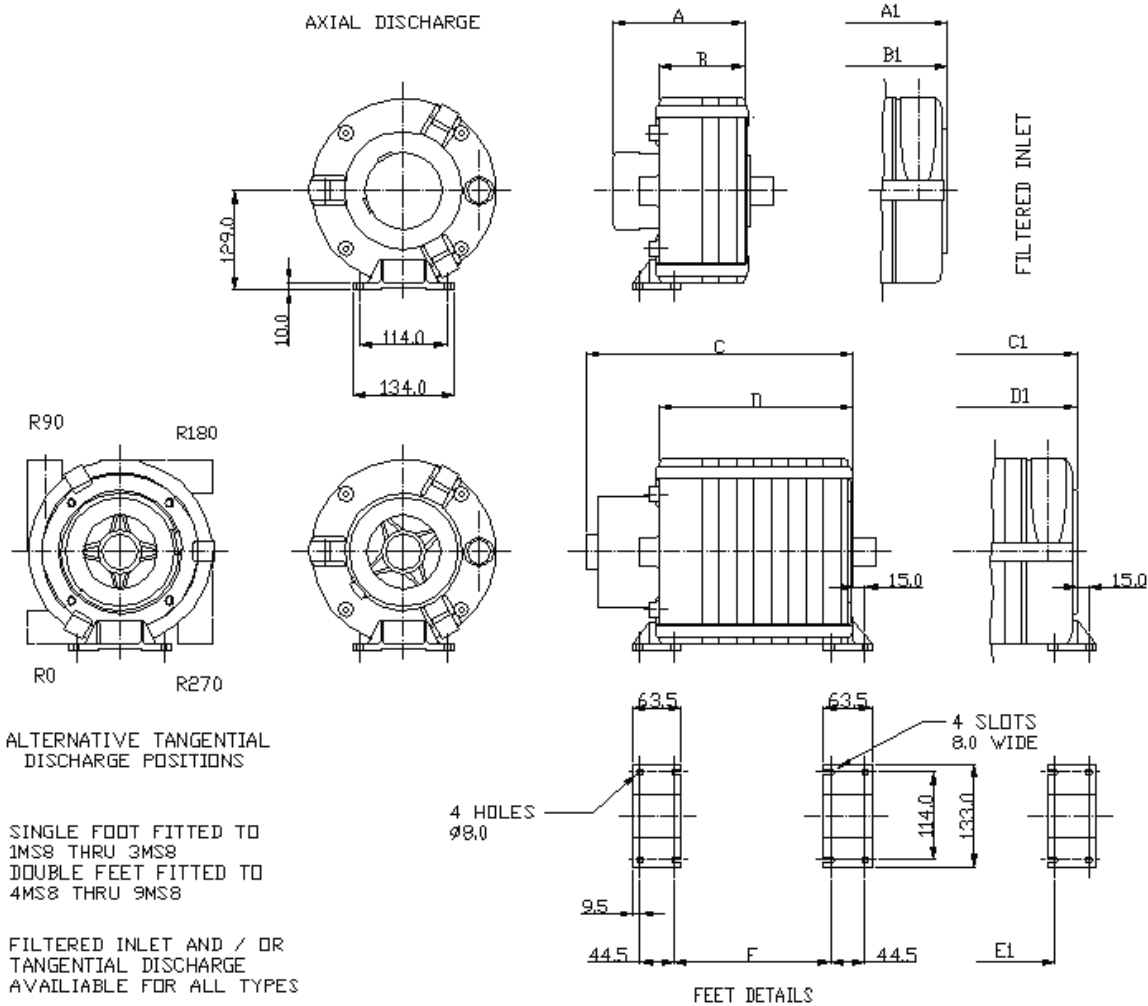


	A	A1	B	B1	C	C1	D	E	F	F1	G	G1
<b>1MS8</b>	99.5	155	86.5	142	132.5	188	98	$\varnothing 44/\varnothing 38/\varnothing 32$	77	132.5	46	101.5
<b>2MS8</b>	122	177.5	109	164.5	150	205.5	100	$\varnothing 44/\varnothing 38/\varnothing 32$	99.5	155	68.5	124
<b>3MS8</b>	145	200.5	132	187.5	179	234.5	100	$\varnothing 44/\varnothing 38/\varnothing 32$	122	177.5	91	146.5
<b>4MS8</b>	167.5	222.5	154.5	210	209	264.5	100	$\varnothing 44/\varnothing 38/\varnothing 32$	144.5	200	113.5	169
<b>5MS8</b>	190	245.5	177	232.5	249.5	305	100	$\varnothing 44/\varnothing 38/\varnothing 32$	167	222.5	136	191.5
<b>6MS8</b>	212.5	298	200	285.5	282	367.5	144	$\varnothing 44/\varnothing 38/\varnothing 32$	189.5	245	158.5	214
<b>7MS8</b>	235.5	321	222.5	308	305	390.5	144	$\varnothing 44/\varnothing 38/\varnothing 32$	212	267.5	181	236.5
<b>8MS8</b>	258	343.5	245	330.5	327.5	413	144	$\varnothing 44/\varnothing 38/\varnothing 32$	234.5	290	203.5	259
<b>9MS8</b>	280.5	366	267.5	353	350	435.5	144	$\varnothing 44/\varnothing 38/\varnothing 32$	257	312.5	226	281.5

# Multi Stage MS8

## Backward Curved, Single Inlet Centrifugal Fans

**Outline Dimension details (feet mounted):**

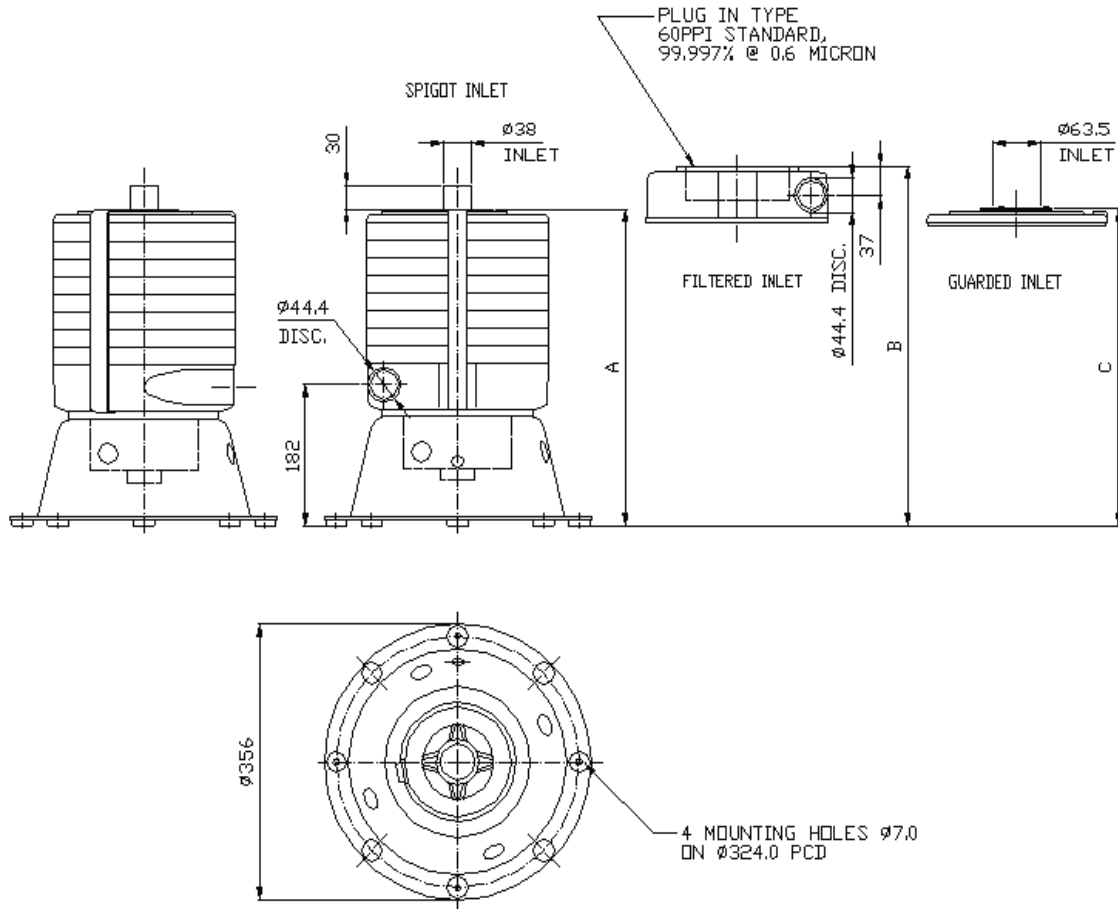


	A	A1	B	B1	C	C1	D	D1	E	E1
<b>1MS8</b>	132.5	188	73	128.5	-	-	-	-	-	-
<b>2MS8</b>	150	205.5	95.5	151	-	-	-	-	-	-
<b>3MS8</b>	179	234.5	118.5	174	-	-	-	-	-	-
<b>4MS8</b>	-	-	-	-	209	264.5	141	196.5	91.5	147
<b>5MS8</b>	-	-	-	-	249.5	305	163.5	219	114	169.5
<b>6MS8</b>	-	-	-	-	282	337.5	186.5	242	136.5	192
<b>7MS8</b>	-	-	-	-	305	360.5	209	264.5	159	214.5
<b>8MS8</b>	-	-	-	-	327.5	383	231.5	287	181.5	237
<b>9MS8</b>	-	-	-	-	350	405.5	254	309.5	204	259.5

# Multi Stage MS8

## Backward Curved, Single Inlet Centrifugal Fans

Outline Dimension details (floor stand):



	A	B	C
<b>1MS8</b>	227.7	283.1	229.4
<b>2MS8</b>	250.3	305.7	252
<b>3MS8</b>	272.9	328.3	274.6
<b>4MS8</b>	295.5	350.9	297.2
<b>5MS8</b>	318.1	373.5	319.8
<b>6MS8</b>	340.7	396.1	342.4
<b>7MS8</b>	363.3	418.7	365
<b>8MS8</b>	385.9	441.3	387.6
<b>9MS8</b>	408.5	463.9	410.2