



**QUICK SHIP**  
FOCUSED DELIVERY  
PROGRAM FOR PNEUMATICS



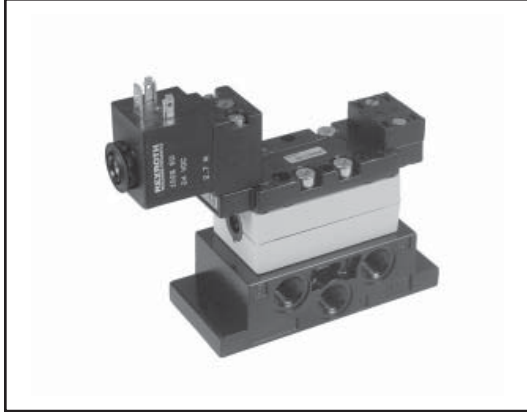
Focused  
Delivery  
Program

**Rexroth**  
Pneumatics



Quick Ship Focused Delivery Program: Series 581

## Series 581 ISO 5599-1 Directional Control Valves



Series 581 directional control valves meet ISO 5599-1 and are interchangeable with many other manufacturers. The 581 (in ISO sizes 1 and 2 in Quick Ship), offers higher flow rates as compared to other ISO valves within the same size. Unique spool and sleeve assembly is isolated from vibration and outside forces for long life. Construction allows field convertibility for internal or external pilot control. Valves come with CNOMO operators, coils to be ordered separately. Subbases also ordered separately.

For the latest information and part numbers go to:  
[www.aventics.com/us/QuickShip581](http://www.aventics.com/us/QuickShip581)

### Features:

- Long service life of over 100 million cycles
- Simple to repair - unitized spool / sleeve and gasket in body repair kit
- Designed for non-lubricated service, Teflon® glide rings "loaded" by Buna-N O-Rings
- Locking / Non-locking manual overrides
- Flow control kit available for field installation
- Valves come without coils for maximum flexibility to meet a variety of applications
- Accessories: coils, NPT and ISO-G ported single subbases and manifolds, sandwich pressure regulators, electrical connector

### Model Codes and Descriptions for Quick Ship Program:

- Series: 581 = 5599-1 ISO valve
- Size: 1 = ISO I  
2 = ISO II
- Function: 1 = 5/2 2-position, single sol., spring return
- Operator: 7 = CNOMO single solenoid w/operator
- Options: 0 = Without flow controls, internal pilot
- Voltage: 0 = Without solenoid
- Electrical: 5 = CNOMO with locking/non-locking override
- Model Code Example: 581-117-005
- In addition to the valves with a 30mm CNOMO operator, three valves with 22mm Form B operator are offered on Quick Ship:  
 Size1 – 5/2 2-position, single sol., spring return valve less solenoid valve, Model Code 581-111-000  
 Size 2 – 5/2 2-position, single sol., spring return valve less solenoid and valve with 110 VAC coil, Model Codes 581-211-000 and 581-211-031

Note: Not all 581 valves are on Quick Ship, see index pages for a complete list of part numbers included.

### Technical Data: (see catalog SC-300.581)

- Flow rates: ISO 1: 5/2 1.4 C<sub>v</sub>, 5/3 1.1 C<sub>v</sub>  
ISO 2: 5/2 2.7 C<sub>v</sub>, 5/3 2.1 C<sub>v</sub>
- Working pressure: to 150 psi
- Working temperature: -4°F to 140°F
- Valve functions: 5/2 SS & DS, and 5/3 CC, SC, and OC for ISO 1, 2 and 3. Size 4 also available
- Voltage available: 24 VDC and 120 VAC for select valve functions, coils available for 12 VDC, 24 VDC, and 120 VAC
- Minimum pilot pressure: 5/2 SS and 5/3, 40 psi; 5/2 DS, 23 PSI
- Protection: IP 65 (NEMA 4)

For Series 581 valve part numbers, see next two pages.

Series 581 Valves	Part Number	Maximum Quantity	Shipment (Business Days)
581 size 2 5/2 single solenoid 110VAC, 22mm operator V581-5/2SR-110AC-I2-1P22-HB1-PA-X-C-T0	5812110310	2	1
581 size 2 5/2 single solenoid without coil, 22mm operator V581-5/2SR-NONE-I2-1P22-HBX-PA-X-C-T0	5812110000	5	1
581-1 SS 22mm INT w/o FC, SOL, CONN : 111000, 5/2 single sol.	5811110000	5	1
581-1 SS CNOMO INT w/o FC,SOL,CONN : 117005, 5/2 single sol.	5811170050	2	1
581-1 SS CNOMO INT w/o FC,SOL,CONN : 117035, 5/2 sgl. sol., 110 VAC	5811170350	2	1
581-2 SS CNOMO INT w/o FC,SOL,CONN : 217005, 5/2 single sol.	5812170050	5	1
Coil 22mm form B 110 VAC coil, 50/60 Hz	1824210237	10	1
Coil 22mm form B 24 VDC coil, 4.8 W	1824210243	10	1
Coil 22mm form B Industry 110 VAC coil, 50 Hz	0498317103	10	1
Coil 22mm form B Industry 24 VDC coil, 5 W	0498317502	10	1
Coil form A 110 VAC coil, 50/60 Hz	5428457072	10	1
Coil form A 12 VDC coil, Series 581	R432011988	10	1
Coil form A 120 VAC coil, Series 581	R432011985	10	1
Coil form A 24 VAC coil, Series 581	R432011990	10	1
Coil form A 24 VDC coil, 2.1 W	5420507022	10	1
Coil form A 24 VDC coil, Series 581	R432011989	10	1
Coil form A 240 VAC coil, Series 581	R432011986	10	1
Form A Din connector, 120 VAC lighted, no cable	1834484102	10	1
Form A Din connector, 120 VAC lighted, no cable, 1/2" Conduit	R432008421	10	1
Form A Din connector, 120 VAC lighted, no cable, Series 581	R432013726	15	1
Form A Din connector, 12VDC lighted, no cable, Series 581	R432013729	15	1
Form A Din connector, 24VDC lighted, no cable, Series 581	R432013730	15	1
Form A Din connector, non lighted, no cable, 1/2" Conduit	R432015626	10	1
Form A Din connector, non lighted, no cable, Series 581	8941000302	10	1
ISO1 End plate kit, 3/8"NPT, Series 581 Valve	R432015316	2	1
ISO1 End plate kit, G3/8, Series 581 valve	1825503145	2	1
ISO1 Flow control insert kit, Series 581	5811001000	5	1
ISO1 Manifold segment, bottom ported, G1/4, Series 581 valve	1825503144	5	1
ISO1 Manifold segment, side ported 1/4"NPT, Series 581 valve	R432015314	5	1
ISO1 Regulator w/Cont @ Port 1 : non plug-in single regulator, 581	0821302048	5	1
ISO1 Single subbase, side ported, 1/4"NPT (replaces R432015524)	R432031844	5	1
ISO1 Single subbase, side ported, 3/8"NPT	R432015488	5	1
ISO1 Single subbase, side ported, G1/4	1825503143	5	1
ISO2 End plate kit, 3/4"NPT, Series 581 valve	R432015319	5	1
ISO2 Flow control insert kit, Series 581	5812001000	5	1
ISO2 Manifold segment, side ported 1/2"NPT, Series 581 valve	R432015318	5	1
ISO2 Regulator w/Cont @ 2 & 4 : non plug-in dual regulator, 581	0821302067	2	1
ISO2 Regulator w/Cont @ Port 1 : non plug-in single regulator, 581	0821302064	2	1
ISO2 Single subbase, side ported, 1/2"NPT	R432015307	5	1
ISO2 Single subbase, side ported, 3/8"NPT	R432031845	5	1
ISO2 Single subbase, side ported, G3/8	1825503146	2	1
ISO3 End plate kit, 1"NPT, Series 581 valve	R432015492	1	1
ISO3 Manifold segment, bottom ported 3/4"NPT, 581 valve	R432015490	5	1
ISO3 Single subbase, side ported, 1/2"NPT	R432015308	5	1

Series 581 Valves (cont.)	Part Number	Maximum Quantity	Shipment (Business Days)
ISO3 Single subbase, side ported, 3/4"NPT	R432015309	5	1
Sandwich flow control meter out, ISO1 Series 581 valve	0821201023	5	1
Sandwich flow control meter out, ISO2 Series 581 valve	0821201024	5	1
Sandwich flow control meter out, ISO3 Series 581 valve	R432008895	5	1
Silencer, 1/2 BSPP thread, Sintered Bronze, 2/pack	1827000003	10	1
Silencer, 1/2"NPT, metal threaded, Series 581	R432011952	10	1
Silencer, 1/4 BSPP thread, Sintered Bronze, 10/pack	1827000001	10	1
Silencer, 3/4"NPT, metal threaded, Series 581	R432012059	10	1
Silencer, 3/8 BSPP thread, Sintered Bronze, 5/pack	1827000002	10	1
Silencer, 3/8"NPT, metal threaded, Series 581	R432012058	10	1