

Knurled nuts steel and stainless steel, DIN 6303

Item description/product images



Description

Material:

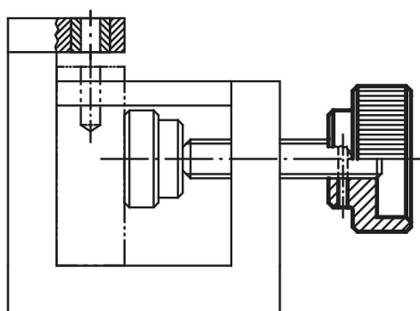
Free-cutting steel 1.0718.

Stainless steel 1.4305.

Version:

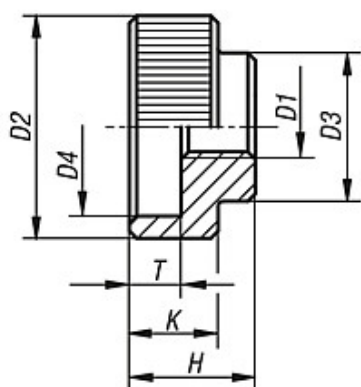
Free-cutting steel, black oxidised.

Stainless steel bright.

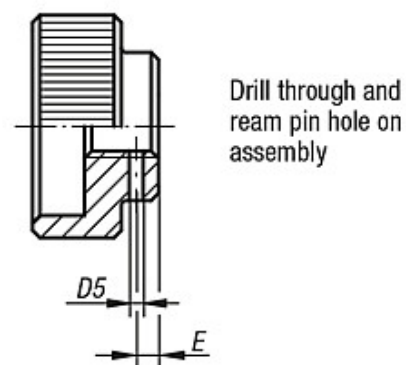


Drawings

Form A
without pin hole



Form B
with pin hole



Overview of items

Knurled nuts, steel and stainless steel, DIN 6303

Order No.	Form	Material	D1	D2	D3	D4	D5 predrilled	E	H	K	T	suitable dowel pin ISO 2338
K0137.105	A	steel	M5	20	14	15	-	-	12	8	5	-
K0137.106	A	steel	M6	24	16	18	-	-	14	10	6	-
K0137.108	A	steel	M8	30	20	24	-	-	17	12	7	-
K0137.110	A	steel	M10	36	28	30	-	-	20	14	8	-

Knurled nuts steel and stainless steel, DIN 6303

Overview of items

Order No.	Form	Material	D1	D2	D3	D4	D5 predrilled	E	H	K	T	suitable dowel pin ISO 2338
K0137.112	A	steel	M12	40	32	34	-	-	24	16	10	-
K0137.1052	A	stainless steel	M5	20	14	15	-	-	12	8	5	-
K0137.1062	A	stainless steel	M6	24	16	18	-	-	14	10	6	-
K0137.1082	A	stainless steel	M8	30	20	24	-	-	17	12	7	-
K0137.1102	A	stainless steel	M10	36	28	30	-	-	20	14	8	-
K0137.1122	A	stainless steel	M12	40	32	34	-	-	24	16	10	-
K0137.205	B	steel	M5	20	14	15	1,4	2,5	12	8	5	1,5 m6 x 14
K0137.206	B	steel	M6	24	16	18	1,4	2,5	14	10	6	1,5 m6 x 16
K0137.208	B	steel	M8	30	20	24	1,9	3	17	12	7	2 m6 x 20
K0137.210	B	steel	M10	36	28	30	2,9	4	20	14	8	3 m6 x 28
K0137.212	B	steel	M12	40	32	34	3,9	4	24	16	10	4 m6 x 32