

Micro EO24™ Hose and Tube System

The Micro EO24™ Hose and Tube System is our most compact, soft sealed gas linking system. It is a flexible system including both a dual seal hose system and a soft sealed tube system using the same adapters.

3



Micro EO24™ Hose and Tube can now be combined in the same gas link system.

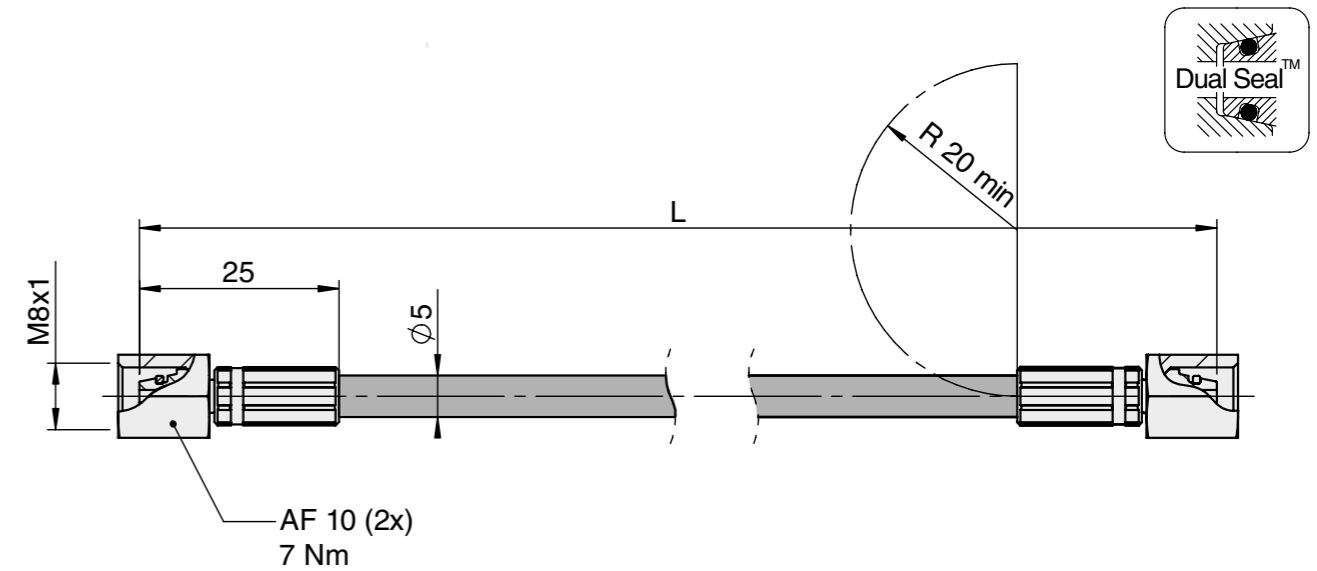
Micro EO24™ Hose

The Micro EO24™ Hose is a Dual Seal System and our most compact hose system available and takes full benefit of the two integrated metal and soft sealing systems. This ensures double leak proof joints as well as rotational protection.

The Hose System shares the same adapters and connectors as the Micro EO24™ Tube System resulting in a wide range of flexible installation possibilities.

G1/8" and G1/4" ports can also be connected to the Micro EO24™ with the use of an appropriate adapter. A number of different standard hose lengths are available (see table below). Custom hose lengths can also be ordered **from 100 mm upwards**. Subsequent numbers are added to the order number according to the length required, e.g. hose length 2500 mm = Order No. 4023500-2500

3



Micro/EZ-Hose clip, **Order No. 502646**  
(Can be used to secure hoses using an M5 screw)

F	Order No	Order No	L (mm)	L (mm)
	4023500-0100		100	100
	4023500-0200		200	200
	4023500-0300		300	300
	4023500-0400		400	400
	4023500-0630		630	630
	4023500-0800		800	800
	4023500-1000		1000	1000
	4023500-1500		1500	1500
	4023500-2000		2000	2000
	4023500-XXXX		XXXXXX	XXXXXX*

\* For customer specified lengths.

**Basic Information**

Material ..... Polyamide, black  
 Dimension ..... Ø 5 mm exterior (5/64)  
 Volume ..... 3 ml/metre  
 Outer casing ..... Perforated  
 Min. bend radius ..... 20 mm  
 Max dynamic working pressure ..... 475 bar  
 Min. burst pressure ..... 1900 bar at +20° C  
 Operating temperature ..... -20 - +80°C