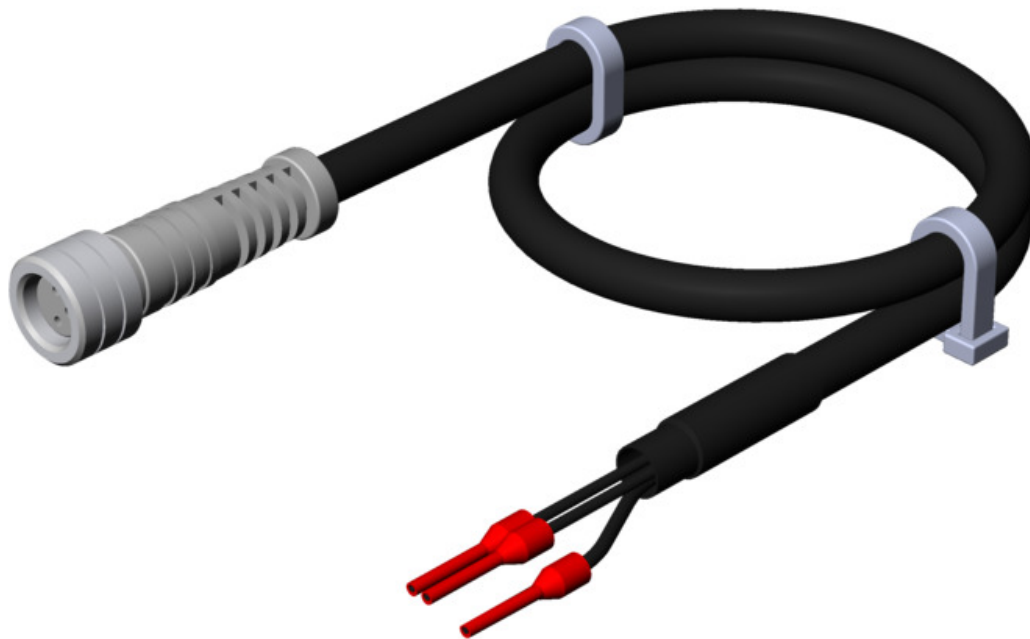


ITEM 077935 C-M08F03-02X025PV03,0-ES-077935

Description	Technical data	Accessories	Downloads
-------------	----------------	-------------	-----------



Features

- › M8 female plug, 3-pin
- › Straight plug connector
- › PVC cable
- › Cable length 3 m
- › With flying lead

Mechanical figures and environment

Insulating material group	II
Sheath material	PVC
Conductor insulation material	PVC
Conductor material	Cu flexible wire bare
Fire behavior	Self-extinguishing and flame retardant according to IEC 60332-1-2
Resistance to media	Largely resistant to certain oils, acids and alkali
Drag chain suitability	No
Silicone-free	Yes

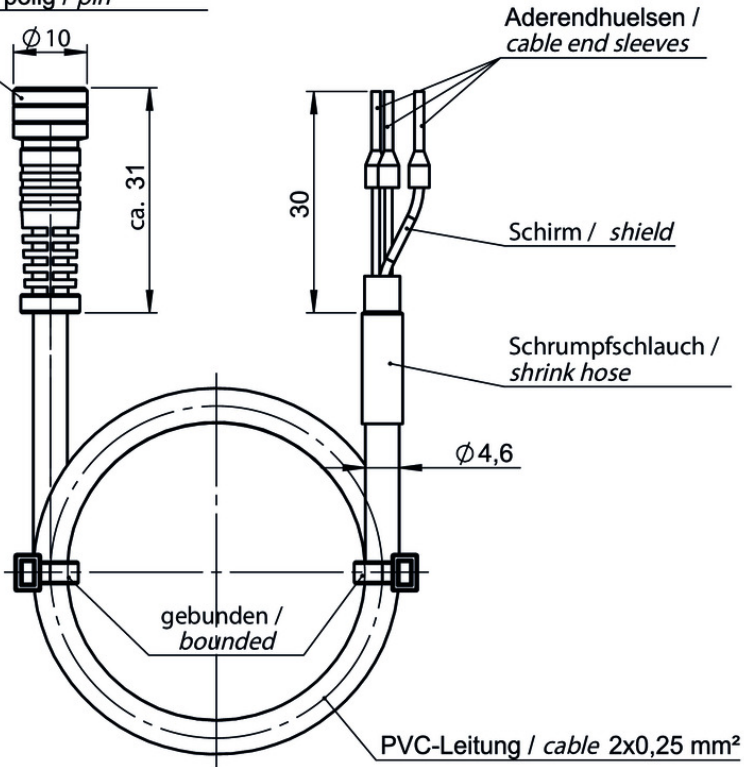
UV resistance	Yes
Ambient temperature	static -25 ... 80 °C Dynamic -5 ... 70 °C
Number of conductors	2
Type of cable	straight
Cable length	3 m
Cable diameter	Approx. 4,6 mm
Conductor cross-section	0.25 mm ²
Conductor identification	Color code
Sheath color	Black
Bending radius	static 5x cable diameter Dynamic 10x cable diameter
	Connection 1
Plug lock material	CuZn nickel-plated
Designation of plug connector	M8x1
Insertion cycles	min. 100
Connection	Plug connector M8x1
Connection type	Socket
Cable outlet	straight
Number of pins	3
Plug lock	Screw connection
Plug housing material	PUR
Degree of protection according to IEC 60529	IP67
	Connection 2
Conductor end	Cable end sleeve
Connection	Flying lead

Electrical connection ratings

Rated voltage	60 V
Rated impulse voltage according to IEC 60664-1	1500 V
Degree of contamination according to EN 60664-1	3
Specific cable resistance	At 20°C max. 79 Ω/km
Cable screening	Yes
Test voltage	0,5 kV
Specific inductance	0,65 mH/km
Specific capacitance	Core/core 120 nF/km

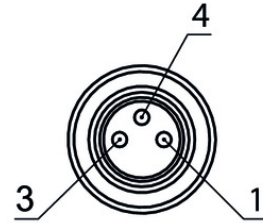
Dimension drawing

Kabelbuchse / socket plug
M8x1, 3 polig / pin



Kontaktbelegung / contact assignment

von Steckseite aus gesehen / seen from the mating side



1 = BN
3 = WH
4 = Schirm

077935	3000
Ident-Nr. / ID-No.	Leitungslänge / cable length (mm)