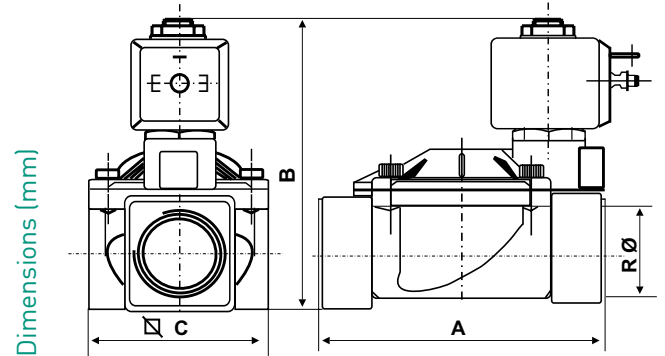
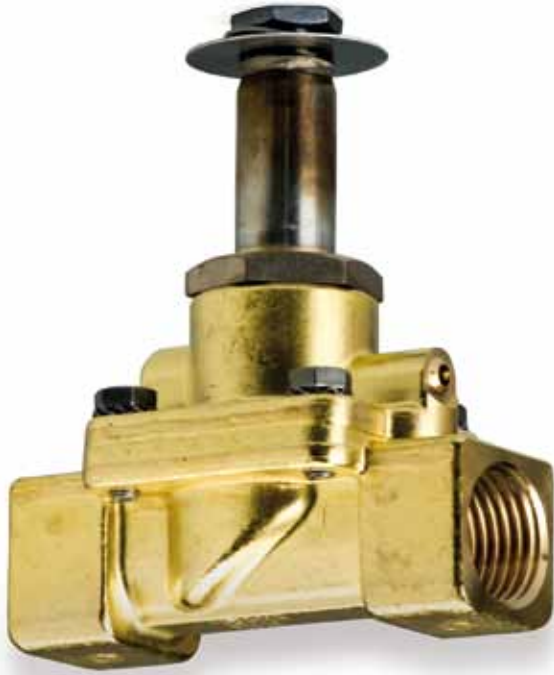


M23

Servo-assisted diaphragm valve bodies, normally-closed

Solenoid valves suitable for large flow capacity, suitable for water, air, fuel-oil, inert gases and other non-corrosive fluids, for copper alloys fluids with viscosity up to 2° Engler.



type	A	B	C
M23C13	69	2,5	40
M23D13	72	94,5	40
M23E20	100	100	65
M23F25	104	105,5	65
M23G35	145	127	102
M23H40	145	127	102
M23I50	173	141	118

N.B. Dimensions and weights are including the coils.

	Passage orifice diameter mm	Female connection R	Kv m ³ /h	Closing time DP of 1 bar sec	Minim. operating pressure bar	Max. differential pressure bar	Testing pressure (DIN2401) PN bar
M23C13	13	G 3/8	3	1	0,1	20	25
M23D13	13	G 1/2	3	1	0,1	20	25
M23E20	20	G 3/4	8,4	1,5	0,1	20	25
M23F25	25	G 1	9,6	1,5	0,1	20	25
M23G35	35	G 1 1/4	25,2	2,5	0,1	10	16
M23H40	40	G 1 1/2	30	3	0,1	10	16
M23I50	50	G 2	37,2	3,5	0,1	10	16

Kv = water flow in m³/h with pressure drop of 1 bar (1 bar = 100kPa).

INSTALLATION

Female threaded connection from G 3/8 to G 2.
The valves can be installed in any position.

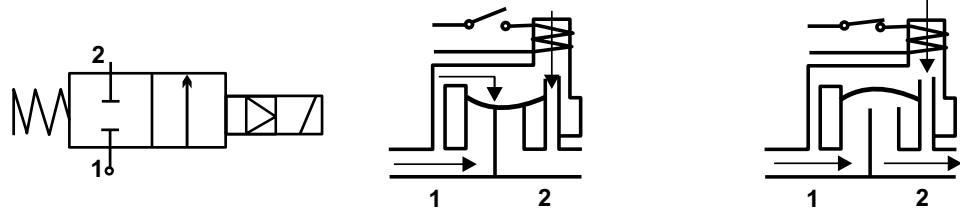
OPERATION

2-way execution, normally-closed.

Indirect operation with blocked servo-membrane.

The fluid under pressure before the valve enters the space above the membrane, pressing it against the seat, blocking the passage.

When the coil is energized, the pilot plug opens discharging the flow, therefore the media lifts the membrane disc, opening passage orifice of the fluid.



FEATURES

Press-forged brass valve body OT58 UNI 5705.

Gaskets in NBR (Buna N) - Viton.

Rod in stainless steel AISI 304.

Core in stainless steel AISI 430F.

Spring in stainless steel AISI 302.

Antivibration brass ring.

Operating temperature: $-10 \div 90^{\circ}\text{C}$.

Unit weights:

- M23C13 0,55 Kg
- M23D13 0,58 Kg
- M23E20 1,02 Kg
- M23F25 1,10 Kg
- M23G35 3,15 Kg
- M23H40 2,90 Kg
- M23I50 4,3 Kg

ELECTROMAGNETS

The control coils are supplied separately from valve bodies.

See page IM2, series tensions, technical specifications and the codes for ordering.

ACCESSORIES



IM21D
Control coil 12Vca 50/60Hz

IM21F
Control coil 24Vca 50/60Hz

IM21H
Control coil 110Vca 50/60Hz

IM21M
Control coil 230Vca 50/60Hz

IM22
Control coil 24Vcc
(with coil in d.c. the indicated pressure should be reduced by 60%)

IM22A
Control coil 12Vcc
(with coil in c.c. the indicated pressure should be reduced by 60%)



1578501
Quick connection connector DIN 43650, suitable for all IM2 coils.
Cable gland Pg9 (cable diameter $6 \div 8$ mm).
Adjustable cable outlet in 4 positions every 90° .