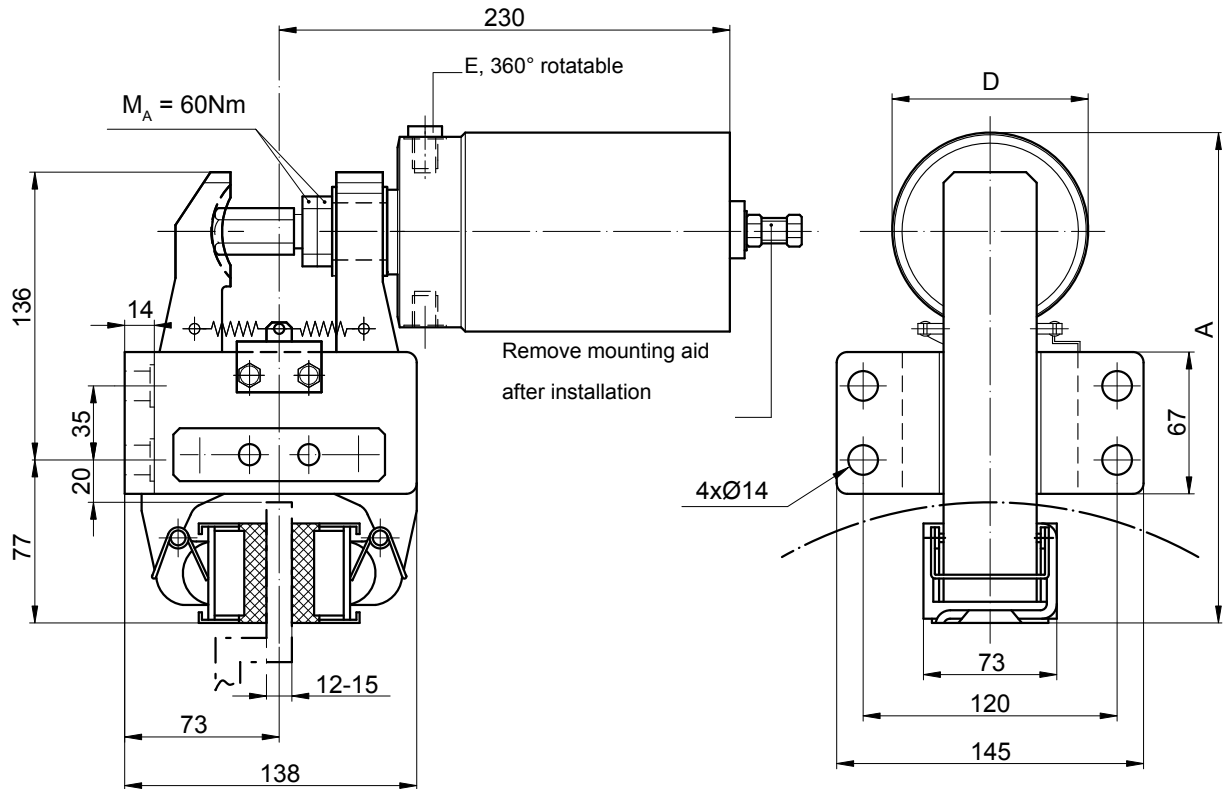




2D-drawing and dimensions see pg. 2

	Nominal disc diameter [mm]									
	250	300	350	400	460	515	610	710	810	915
	dyn. braking torque [Nm] (static torque = dynamic torque x 0,9)									
R&H 200.562.01	140	170	200	240	280	310	380	450	510	580
R&H 200.560.01	400	500	600	700	820	930	1120	1320	1520	1720
R&H 200.550.01	625	780	940	1100	1280	1450	1750	2060	2375	2690
R&H 200.551.01	710	890	1060	1240	1450	1650	2000	2340	2700	3050
R&H 200.552.01	1040	1300	1560	1810	2130	2410	2900	3420	3940	4460

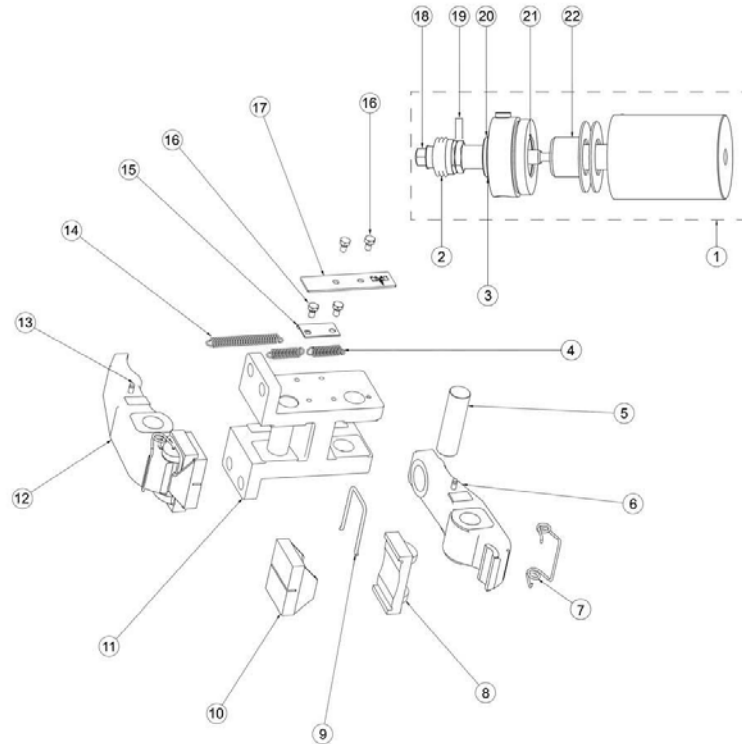
Subject to change without notice.



Mounting position horizontal – Please get in touch with us if different.

Type	Part-No.	D [mm]	A [mm]	E	p_{\min} [bar]	p_{\max} [bar]	air cons. / stroke [cm ³]	Mass [kg]	
R&H 200.562.01	13597	80	227	G 1/8"	20	160	25	14	
R&H 200.560.01	11294				40				
R&H 200.550.01	11291	95	234	G 1/4"	55				16
R&H 200.551.01	11292				65				
R&H 200.552.01	11293				100				

Subject to change without notice.



			Type			
			R&H 200.550.01	R&H 200.551.01	R&H 200.552.01	R&H 200.560.01
			Part-No.			
Item	Component	Quantity	11291	11292	11293	11294
1	Thruster	1	11255	11256	11257	11258
2	Dust Seal	1	10946			
3	O-Ring	1	11277			
4	Compression Spring	2	10883			
5	Pivot Pin	2	11180			
6	Arm - Thruster Side	1	11513			
7	Pad Retaining Spring	2	10521			
8	Brake Shoe	2	10520			
9	Retaining Spring	2	10268			
10	Brake Pad	2	10775			
11	Housing	1	11160			
12	Arm - Opposite Side	1	11512			
13	Pin	4	10314			
14	Tension Spring	1	10270			
15	Anchor Plate	1	10942			
16	Hexagon Screw	4	11955			
17	Locking Plate	1	11181			
18	Push Rod	1	12015			
19	Hexagon Nut	2	10319			
20	Push Rod Seal	1	11275			
21	Piston Seal	1	11276			
22	Piston	1	12014			

Subject to change without notice.