



## NEFF Telescopic Screw Drive S-TEG

2-stage synchronously extending telescopic screw drive as glide screw drive version or as ball screw drive version. As proven "N" design version – "Lifting screw" - or as non-rotating variant of the "VK" design, optionally with safety nut and integrated limit switches.

Standardised connecting options on request for gear, toothed belt or for the direct connection of a drive motor by means of a motor adapter flange or coupling.

The different variants can be selected on the basis of the product code.

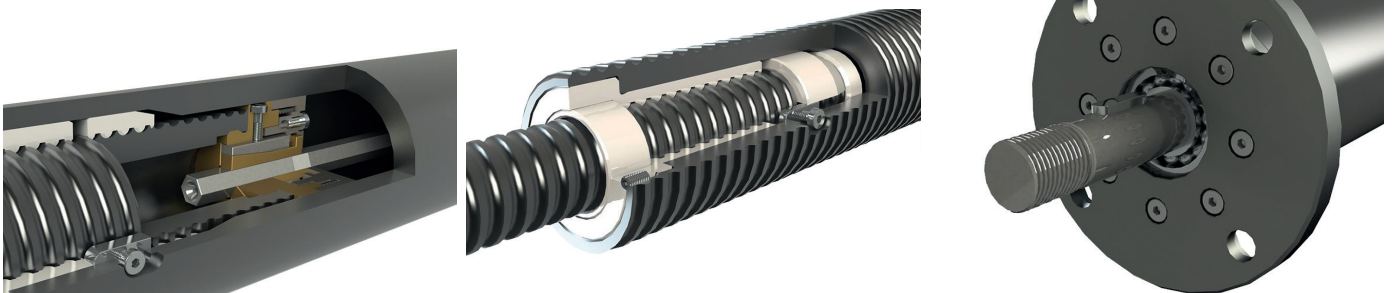
### General technical data:

- The intelligent drive unit ensures continuous torque and clearance throughout the entire stroke.
- Reduced friction values due to Teflon-coated aluminium materials (glide screw version)
- The safety nuts for the glide screw version may optionally be set for fracture or wear.
- For the ball screw version, nuts from the standard product range are used, thus ensuring availability of stock goods and quick replacement.

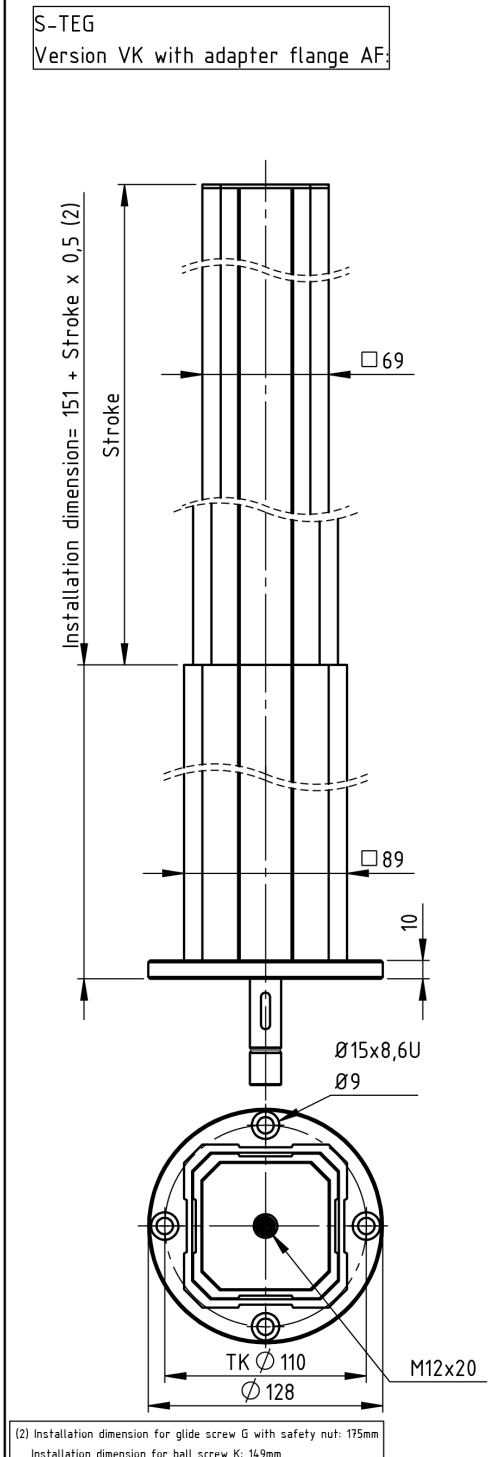
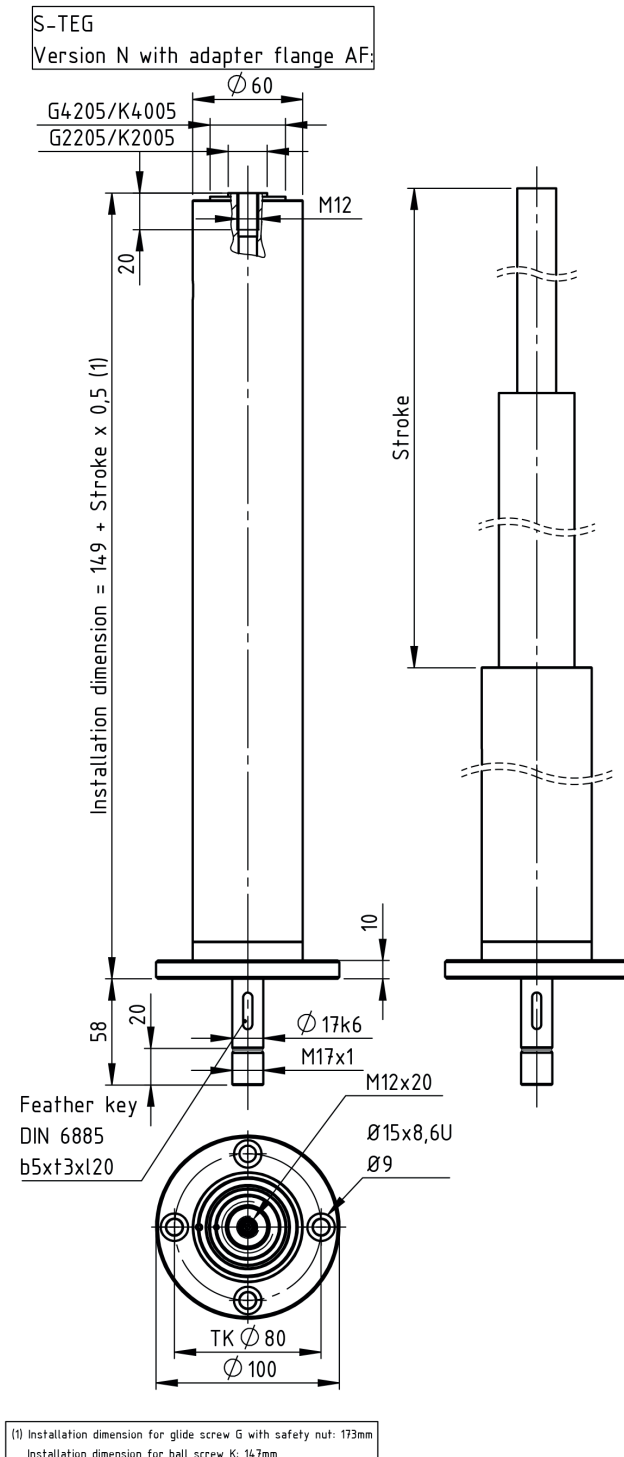
## Technical specifications:

Max. stroke power with ball drive:	16400 N
Max. stroke power with glide screw drive: <sup>1)</sup>	10500 N
Maximum stroke length:	up to 2400mm > 2400mm on request
Stroke per revolution of the drive shaft:	10mm Up to 100mm on request
Axial clearance with ball screw drive:	0.1mm (standard) <0.1mm on request
Axial clearance with glide screw drive:	max. 0.4mm <0.4mm on request
Accuracy classes:	T7: 52µm/300mm <sup>2)</sup> T9: 130µm/300mm T10: 210µm/300mm
Efficiency with ball screw drive:	0.76
Efficiency with glide screw drive:	0.21 (version: 10mm stroke per revolution) 0.68 (version: 100mm stroke per revolution)
Idling torque with ball screw drive:	0.054 Nm
Idling torque with glide screw drive:	0.133 Nm
Maximum admissible drive torque:	30Nm

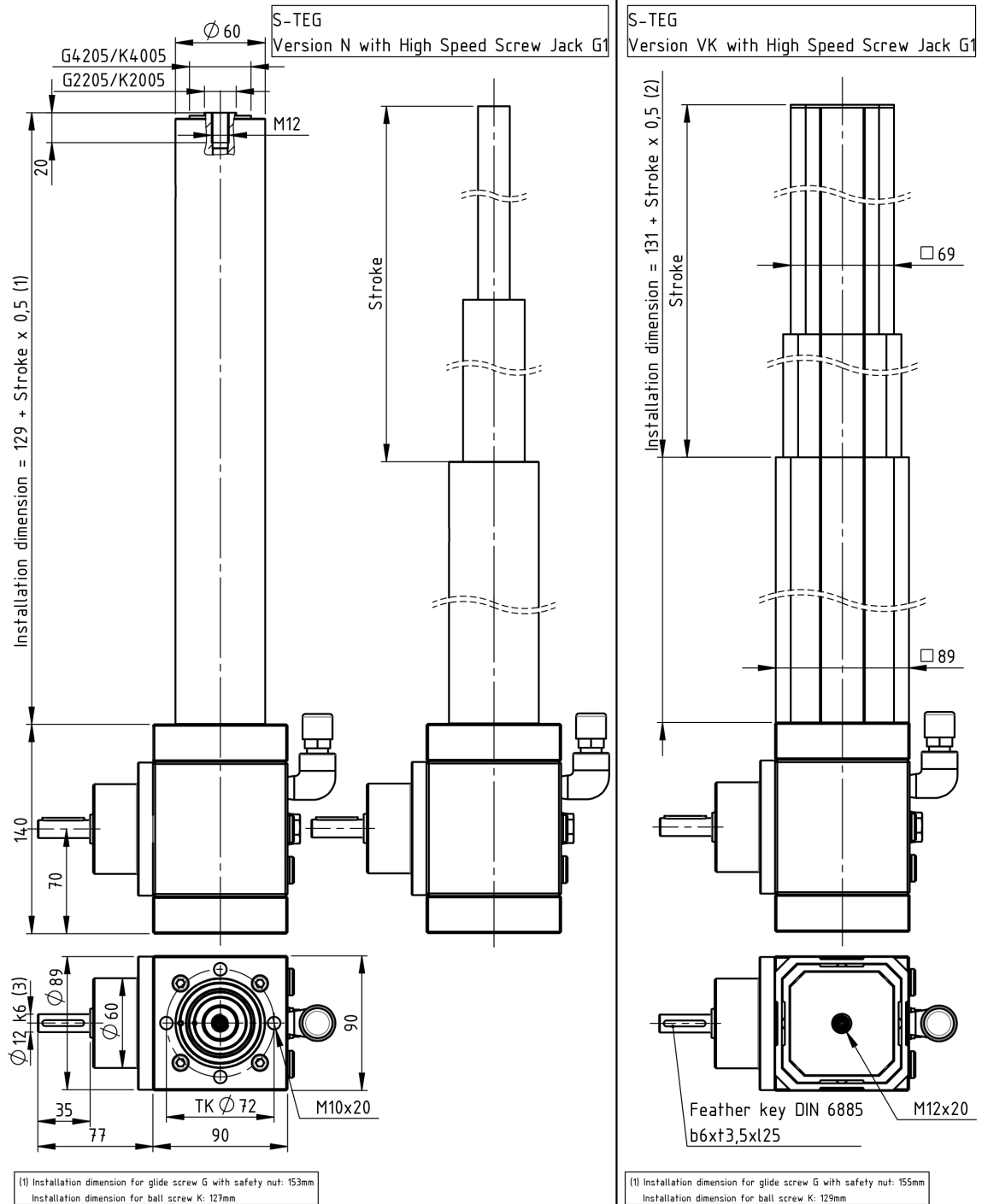
- 1) Depending on the pv value (load x speed)  
2) Only available for ball screw version



## S-TEG-N-VK with adapter flange AF

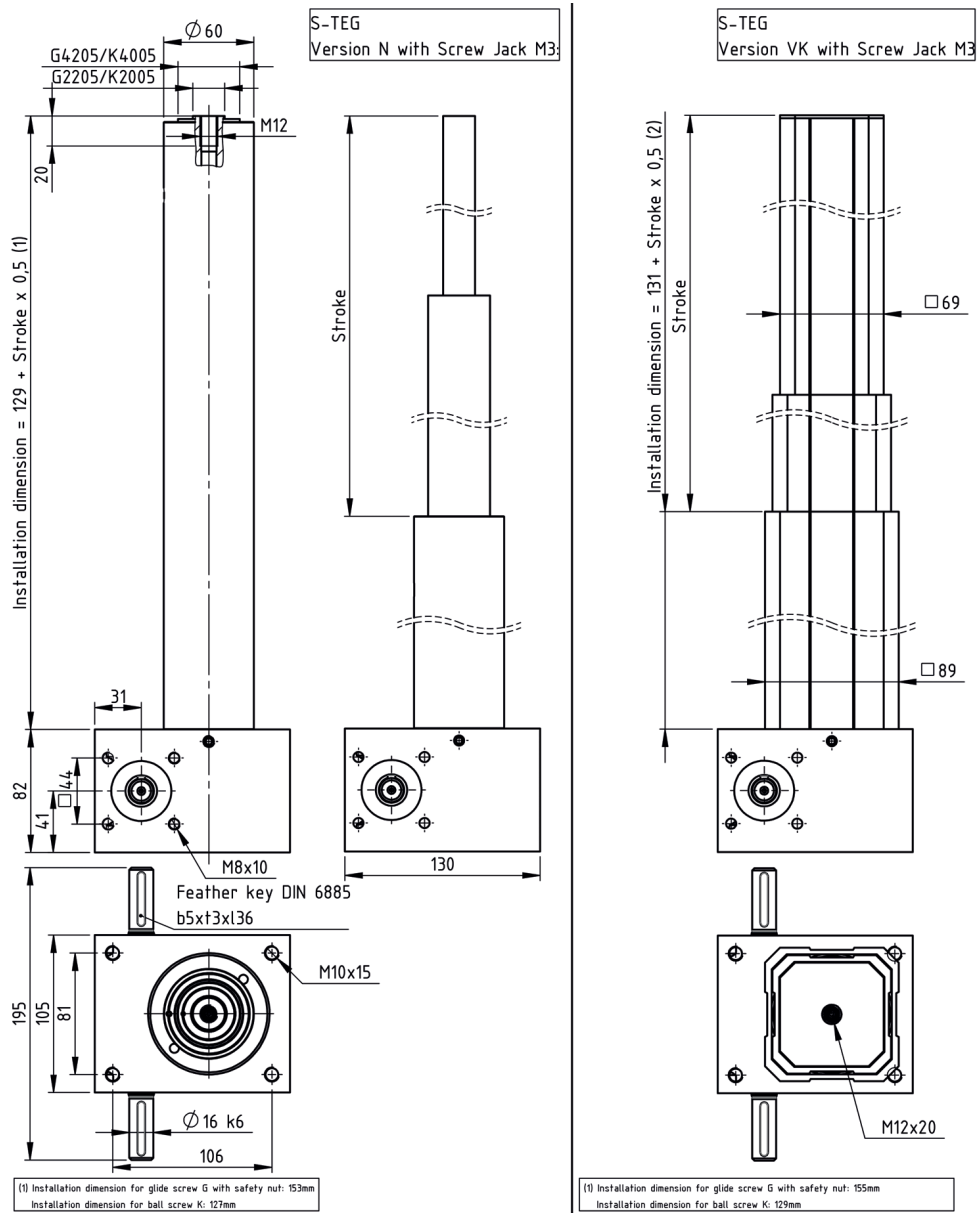


**S-TEG-N-VK with High Speed Screw Jack G1**



\* optional with translation 2:1 or 3:1

## S-TEG-N-VK with Screw Jack M3



\* optional with translation 6 : 1 or 24 : 1

## Attachment parts S-TEG

