

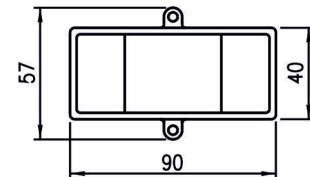
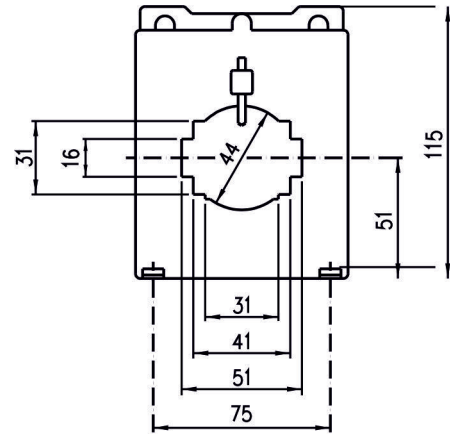
# CURRENT TRANSFORMERS - CLASSIC LINE

IBR



## WINDOW TYPE CURRENT TRANSFORMER

Round conductor       $\varnothing 44$  mm  
 Primary bar             $50 \times 15$  mm  
                                   $2 \times 40 \times 10$  mm



### IBR Technical Features, Executions

Primary rated current	sec. 5A			sec. 1A		
	Article No.	Class	Class	Article No.	Class	Class
A	70097 -	0,5	1	70097 -	0,5	1
400	- 2059	5	5	- 2058	5	5
500	- 2061	7,5	7,5	- 2060	7,5	7,5
600	- 2063	10	10	- 2062	10	10
750	- 2065	10	15	- 2064	10	15
800	- 2067	10	15	- 2066	10	15
1000	- 2052	10	15	- 2051	10	15
1200	- 2054	10	15	- 2053	10	15
1500	- 2056	10	20	- 2055	10	20
1600	- 3717	10	20	- 3718	10	20

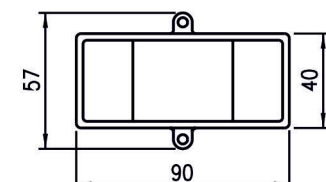
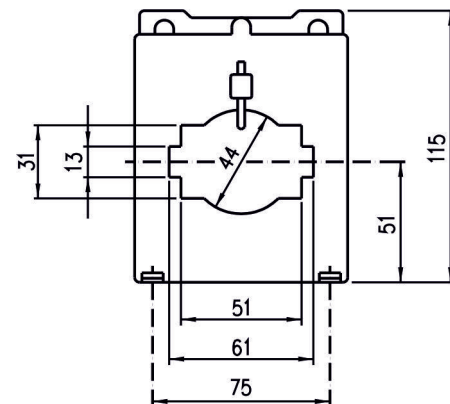
Included in delivery: Primary fixing device  
 Accesories (see page 5/53): Mounting feet

IBR/1



## WINDOW TYPE CURRENT TRANSFORMER

Round conductor       $\varnothing 44$  mm  
 Primary bar             $60 \times 12$  mm  
                                   $2 \times 50 \times 10$  mm



### IBR/1 Technical Features, Executions

Primary rated current	sec. 5A			sec. 1A		
	Article No.	Class	Class	Article No.	Class	Class
A	70097 -	0,5	1	70097 -	0,5	1
400	- 2075	5	5	- 2074	5	5
500	- 2077	7,5	7,5	- 2076	7,5	7,5
600	- 2079	10	10	- 2078	10	10
750	- 2081	10	15	- 2080	10	15
800	- 2083	10	15	- 2082	10	15
1000	- 2069	10	15	- 2068	10	15
1200	- 2071	10	15	- 2070	10	15
1500	- 2073	10	20	- 2072	10	20
1600	- 3719	10	20	- 3720	10	20

Included in delivery: Primary fixing device  
 Accesories (see page 5/53): Mounting feet